



# X85 SPARE PARTS



CONVEYOR AND PALLET HANDLING SYSTEMS

# Content

Spare parts XBEB A85H .....	1
Spare parts XBEB A85HP .....	5
Spare parts XBEB A85HNP .....	9
Spare parts XBEB A85MNP .....	11
Spare parts XBEB A85CNP .....	13
Spare parts XBEB A85HGP, Guided .....	15
Spare parts XBER A85MNP .....	19
Spare parts XBEW 180A85HP .....	21
Spare parts XBEW 180A85HNP .....	25
Spare parts XBEJ A85 S .....	29
Spare parts XBEJ A85 .....	31
Spare parts XBEY 0A85 ... ..	33
Spare parts X_BH .....	37
Spare parts Basic locating module XBUL 11 .....	39
Spare parts Tunnel locating module XBUL 11 T ..	41
Spare parts Merge module XBUT 90 MR/ML .....	43
Spare parts Divert and merge module XBUT 45/90 C .....	45
Spare parts Interspace divert and merge module XBUT 180 C .....	47
Spare parts Slide rails - X85 .....	51
Spare parts Chains - X85 .....	53
Spare parts Guide rail cover - X85 .....	57
Product designations in alphanumeric order .....	59

© Copyright FlexLink 2011

The contents of this publication are the copyright of the publishers and may not be reproduced (even extracts) unless permission is granted. Every care has been taken to ensure the accuracy of the information but no liability can be accepted for any errors or omissions. The right is reserved to make design modifications.

## Patents

Essential parts of the FlexLink product range are protected by patents and design regulations.

Drawings are made to European standards.

## Catalogue instructions

**1. How to read the catalogue:** Open the catalogue and from the Table of content or the PDF navigation bar locate the group in which the part you want to find is present. Turn over to the concerned page number by a "click". Now find out the figure of the part you wish to order. Jot down the part number against that particular figure number from the text. In case, if you have the part number and you need the other details, the part index can be used. The part index (at the end of the catalogue) will give you the figure and page number of the part you wish to order.

**2. How to order spare parts:** The part number and the description of the part required should be invariably mentioned in the order as per the catalog text. The latest part number as conveyed through our service circulars should only appear on the order. In case of ordering colored components, color code of the components should be mentioned. The quantity shown against the part number is the quantity per unit for that group so that particular quantity should be multiplied by the number of sets required.

**3. Abbreviations:** The following abbreviations are used in this catalog:

### 4. Recommended Spare parts:

Several items of the complete spare parts overview are earmarked as recommended spare parts. FlexLink advises its customers to purchase and stock these specific items for replacement in case of failure of the original item. The recommended spares are limited to only these items for which the cost of buying is in a fair relationship to the risk (i.e. probability \* impact) of sudden failure. It merely consists of wear parts and some electrical and pneumatic components.

assly.	Assembly
V	Volts
N.I.	Not illustrated
W	Watt
Comp.	Complete
Fr	Front
Std.	Standard
L	Length
A/t.	Alternate
Rr	Rear
L.H.	Left hand
R.H.	Right hand
AR	As required
<i>(Part number)</i> Part number presented in "parantheses" and in Italic character style	Parts are included in a Spare parts kit.
*)	These items can only be purchased as part of a kit and when an item has an * the corresponding item always is placed between brackets (..) see above.
Recommended Spare part	Parts which are usually kept in stock and have short turnaround (See item 4)

# Spare parts XBEB A85H



Technical information from FlexLink

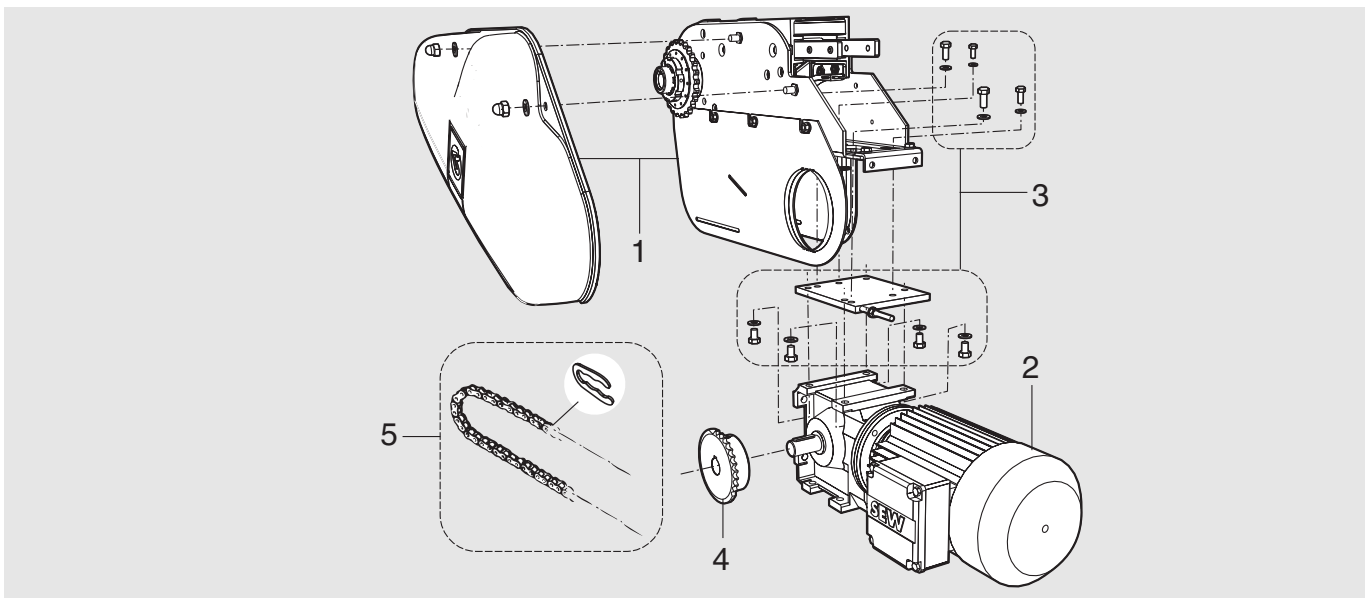
5380EN-5

## End drive unit XBEB A85H (suspended motor, slip clutch)

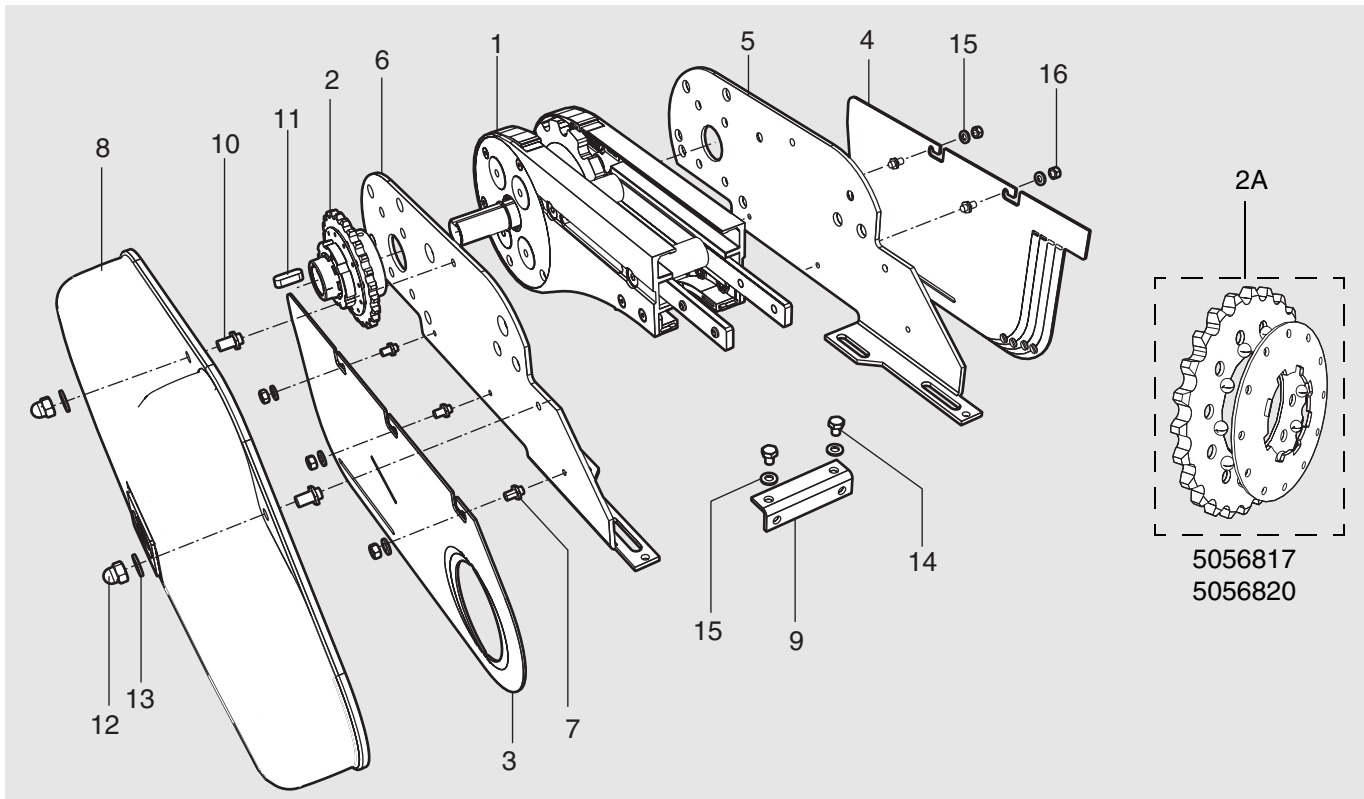
Revision list

Document designation	Date	Type of revision	Entered by
5380EN-1	07-10-31	Initial version	BS
5380EN-2	08-01-10	Complete unit update	BS
5380EN-3	08-10-15	Spare part kits added	JE
5380EN-4			JE
5380EN-5	10-09-01	Added new column	CB

### Complete unit XBEB A85H

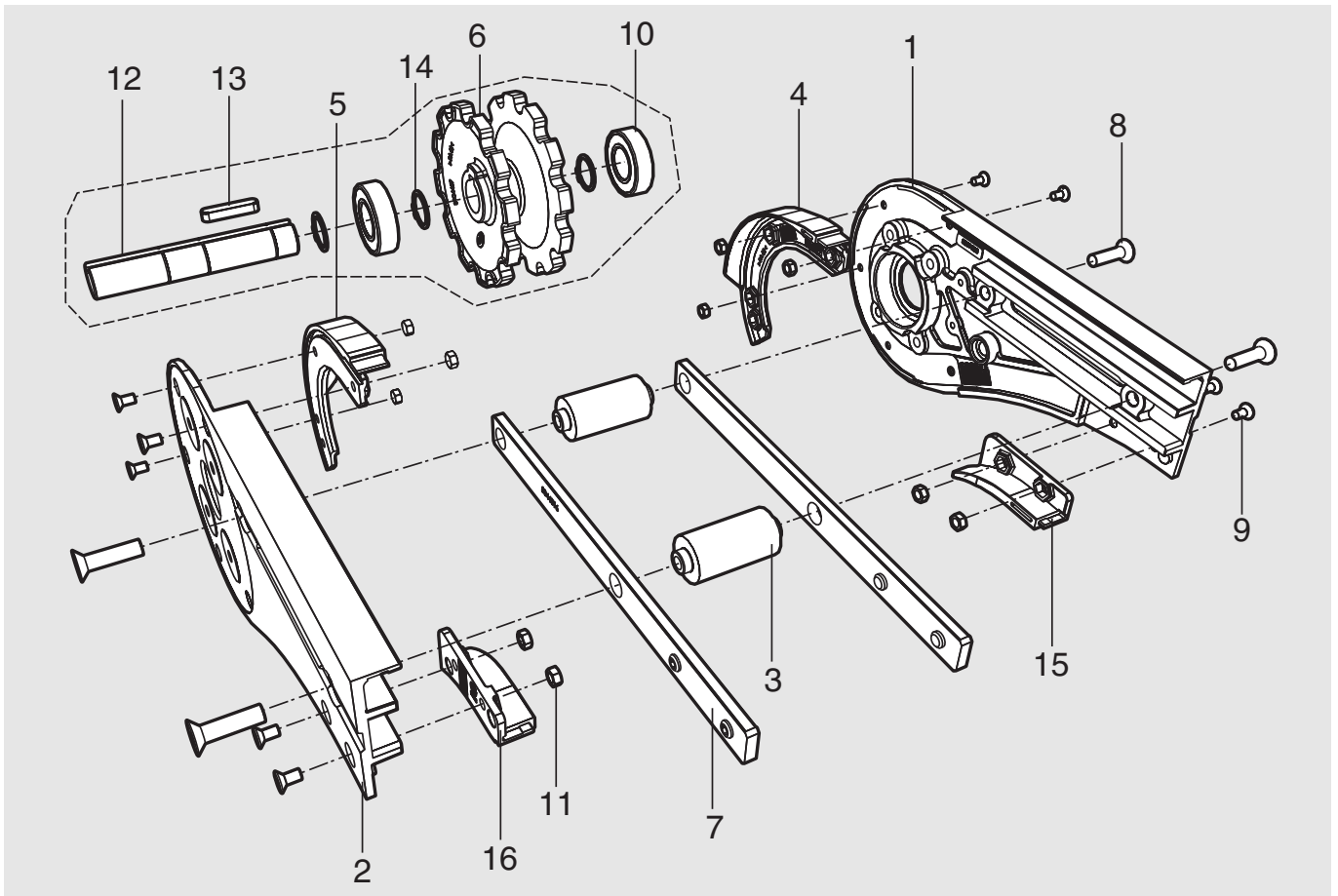


Item	Description	Part No	Qty	Comments	Recommended Spare parts
1	0-unit left 0-unit right	XBEB 0A85HL/XBEB 0A85HLA XBEB 0A85HR/XBEB 0A85HRA	1	See next page	
2	Motor	See configuration	1		
3	Adapter plate Adapter plate, blind	3924407 3924455	1	Including screw kit No screw kit, no holes for motor	
4	Sprocket wheel 1/2", Z=19 Sprocket wheel 1/2", Z=21 Sprocket wheel 1/2", Z=23 Sprocket wheel 1/2", Z=25 Sprocket wheel 1/2", Z=15, ANSI Sprocket wheel 1/2", Z=17, ANSI Sprocket wheel 1/2", Z=19, ANSI Sprocket wheel 1/2", Z=21, ANSI Sprocket wheel 1/2", Z=23, ANSI Sprocket wheel 1/2", Z=25, ANSI	3924438 3924439 3924440 3921258 5044935 5044936 5044937 5044938 5044939 5044940	1	For 1/2" chain For 1/2" chain For 1/2" chain For 1/2" chain For 1/2" ANSI chain For 1/2" ANSI chain For 1/2" ANSI chain For 1/2" ANSI chain For 1/2" ANSI chain For 1/2" ANSI chain	X
5	Transmission chain + connecting link	5111232 5044948	1	1/2" chain 1/2" ANSI chain	X

**0-unit XBEB 0A85HL/HR/HLA/HRA**

Item	Description	Part No	Qty	Comments	Recommended Spare parts
1	Basic unit left Basic unit right	XBEB 0A85HLU XBEB 0A85HRU	1	See next page	
2	Slip clutch Ø25 Slip clutch Ø25 ANSI	5053981 5054000	1	For ½" chain For ½" ANSI chain	
2A	Spare parts kit for slip clutch Spare parts kit for slip clutch, ANSI	5056817 5056820	(1)	Kit contains sprocket wheel, cup spring and balls.	X
3*	Slack protection	(3904666)	1	See kit below	
4*	Slack protection	(3904665)	1	See kit below	
5	Motor bracket R	3904633	1		
6	Motor bracket L	3904632	1		
7*	Distance screw M6	(3904862)	5	See kit below	
8	Transmission cover	3904431	1		
9	Adjusting block	-	1		
10*	Distance screw M8	(3904855)	2	See kit below	
11	Thin parallel key	8×7-25	1	DIN 6885A h9	
12	Nut	MHM M8-6 FZB	2		
13	Washer	BRB 8,4×16×1,6	2		
14	Screw	M6S M6×8 6H 8,8	2		
15*	Washer	(BRB 6,4×12×1,6)	7		
16*	Nut	(M6M M6-8 FZB)	5	See kit below	
*) 3+4+15+16	Slack protection kit	5111566	1		
*) 7	Distance screw kit	5111600	1	Kit contains 10 pcs	
*) 10	Distance screw kit	5111599	1	Kit contains 10 pcs	

## Basic unit XBEB 0A85HLU/HRU



Item	Description	Part No	Qty	Comments	Recommended Spare parts
1*	Side plate	(5059623)	1	See kit below	
2*	Side plate	(5059641)	1	See kit below	
3	Spacer	-	2		
4+5	Spare part kit, Steering guides	5110795	1	LH+RH	X
6	Wheel	5111617	1	(3904457)	X
7	Connecting strip	-	2		
8	Screw	MF6S M8x30 10,9 FZB	4		
9	Screw	MF6S M5x10 10,9	10		
10*	Bearing	(6205-2RS1/C3)	2	See kit below	
11	Nut	M6M M5-8 FZB	10		
12*	Drive shaft	(3904459)	1	See kit below	
13*	Thin parallel key	(8x7-40)	1	DIN 6885A h9, See kit below	
14*	Retaining ring	(SGA 25)	3	See kit below	
15+16	Spare part kit, Guides	5110796	1	LH+RH	X
*) 6+10+12+13+14	Spare part kit, wheel compl.	5111177	1		X
*) 1+2	Side plate kit	5111565	1		

This page is intentionally left blank

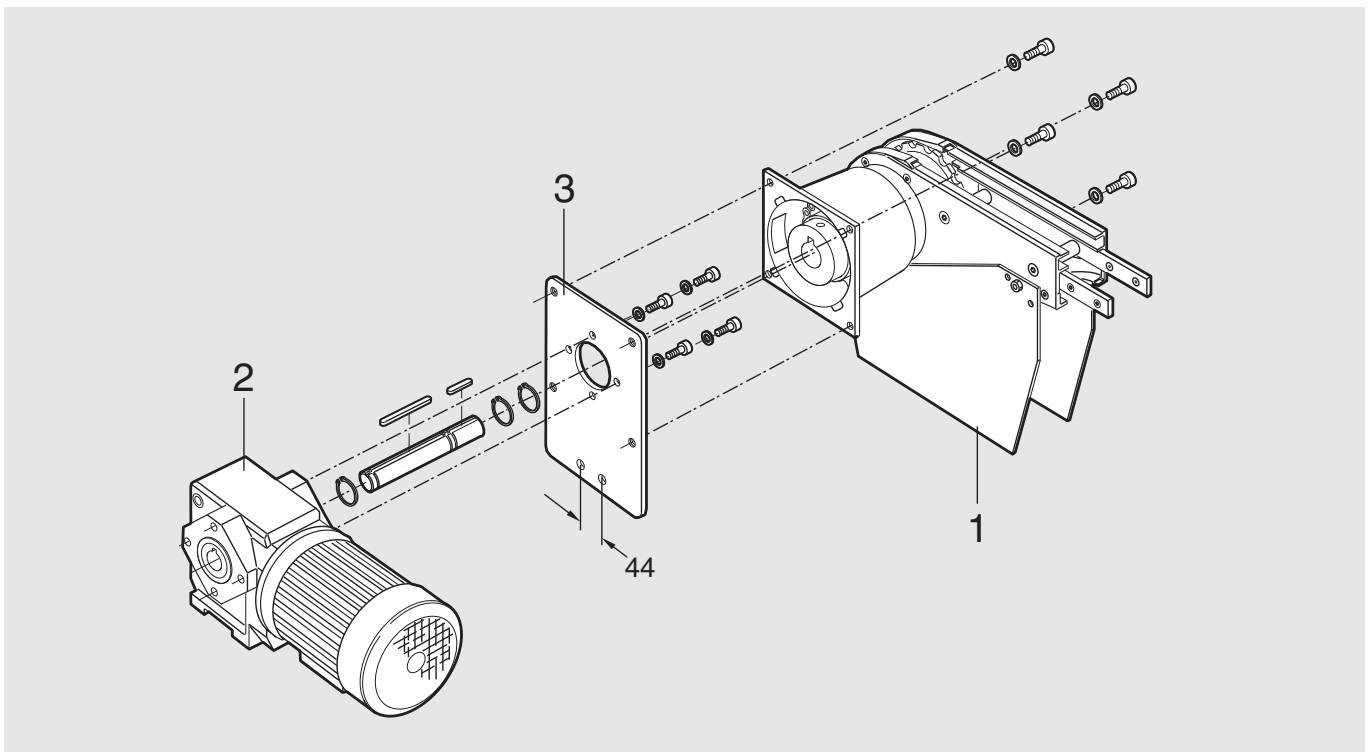


## End drive unit XBEB A85HP (direct drive, slip clutch)

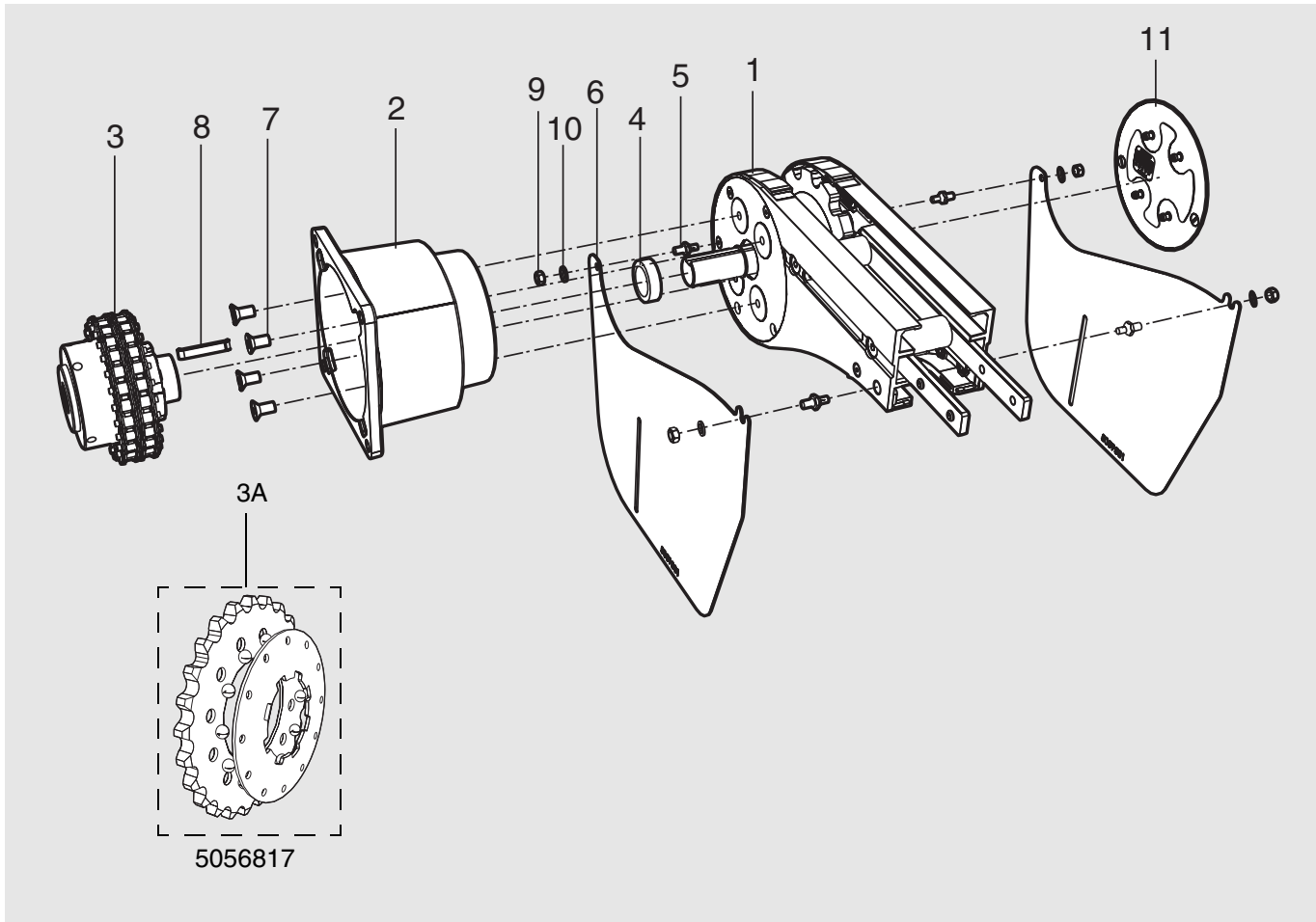
### Revision list

Document designation	Date	Type of revision	Entered by
5381EN-1	07-11-05	Initial version	BS
5381EN-2	08-01-10	Complete unit update	BS
5381EN-3	08-10-15	Spare part kits added	JE
5381EN-4	09-03-19		JE
5381EN-5	10-09-01	Added new column	CB

### Complete unit XBEB A85HP



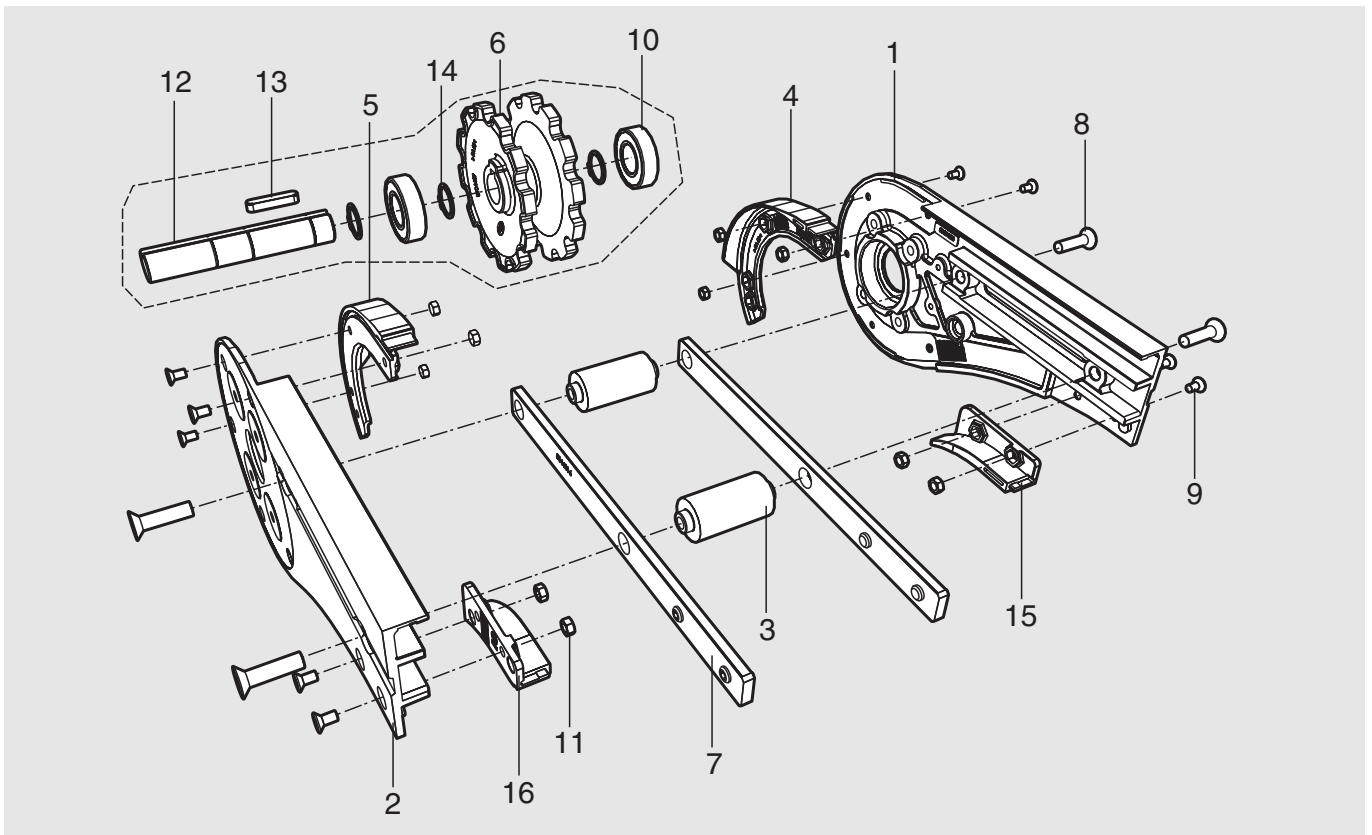
Item	Description	Part No	Qty	Comments	Recommended Spare parts
1	0-unit left 0-unit right	XBEB 0A85HLP XBEB 0A85HRP	1	See next page	
2	Motor	See configuration	1		
3	Adapter plate	3920088	1	For SEW SA37 gearmotor	

**0-unit XBEB 0A85HLP/HRP**

Item	Description	Part No	Qty	Comments	Recommended Spare parts
1	Basic unit left Basic unit right	XBEB 0A85HLU XBEB 0A85HRU	1	See next page	
2	Flange	3920084	1		
3	Slip clutch $\varnothing 20/\varnothing 25$ mm	5054003	1		
3A	Spare parts kit for slip clutch	5056817	(1)	Kit contains sprocket wheel, cup spring and balls.	X
4	Spacer	3921652	1		
5*	Distance screw M5/M6	(3925718)	4	See kit below	
6*	Slack protection	(5059581)	2	See kit below	
7	Screw	MF6S M8x16 10,9	4		
8	Thin parallel key	5045637	1		
9*	Nut	(5056459)	4	See kit below	
10*	Washer	(BRB 6.4x12x1,6)	4	See kit below	
11*	Cover plate	(5059568)	1	See kit below	
*) 5	Distance screw kit	5111598	1	Kit contains 10 pcs	
*) 6+9+10	Slack protection kit	5111564	1	LH+RH	
*) 11	Side plate kit	5111565	1		

<http://www.flexlink.com>

## Basic unit XBEB 0A85HLU/HRU



Item	Description	Part No	Qty	Comments	Recommended Spare parts
1*	Side plate	(5059623)	1	See kit below	
2*	Side plate	(5059641)	1	See kit below	
3	Spacer	(5044322)	2		
4*	Steering guide R	(5043877)	1	See kit below	
5*	Steering guide L	(5043878)	1	See kit below	
6	Wheel	5111617	1	(3904457)	X
7	Connecting strip	5044316	2		
8	Screw	MF6S M8×30 10,9 FZB	4		
9	Screw	MF6S M5×10 10,9	10		
10*	Bearing	6205-2RS1/C3	2	See kit below	
11	Nut	M6M M5-8 FZB	10		
12*	Drive shaft	(3904459)	1	See kit below	
13*	Thin parallel key	8x7-40 ISO/R 77	1	See kit below	
14*	Retaining ring	(SGA 25)	3	See kit below	
15*	Guide R	(5059275)	1	See kit below	
16*	Guide L	(5059335)	1	See kit below	
*) 1+2	Side plate kit	5111565	1	LH+RH	
*) 4+5	Spare part kit, Steering guides	5110795	1	LH+RH	X
*) 15+16	Spare part kit, Guides	5110796	1	LH+RH	X
*) 6+10+12+13+14	Spare part kit, wheel compl.	5111177	1		X

This page is intentionally left blank

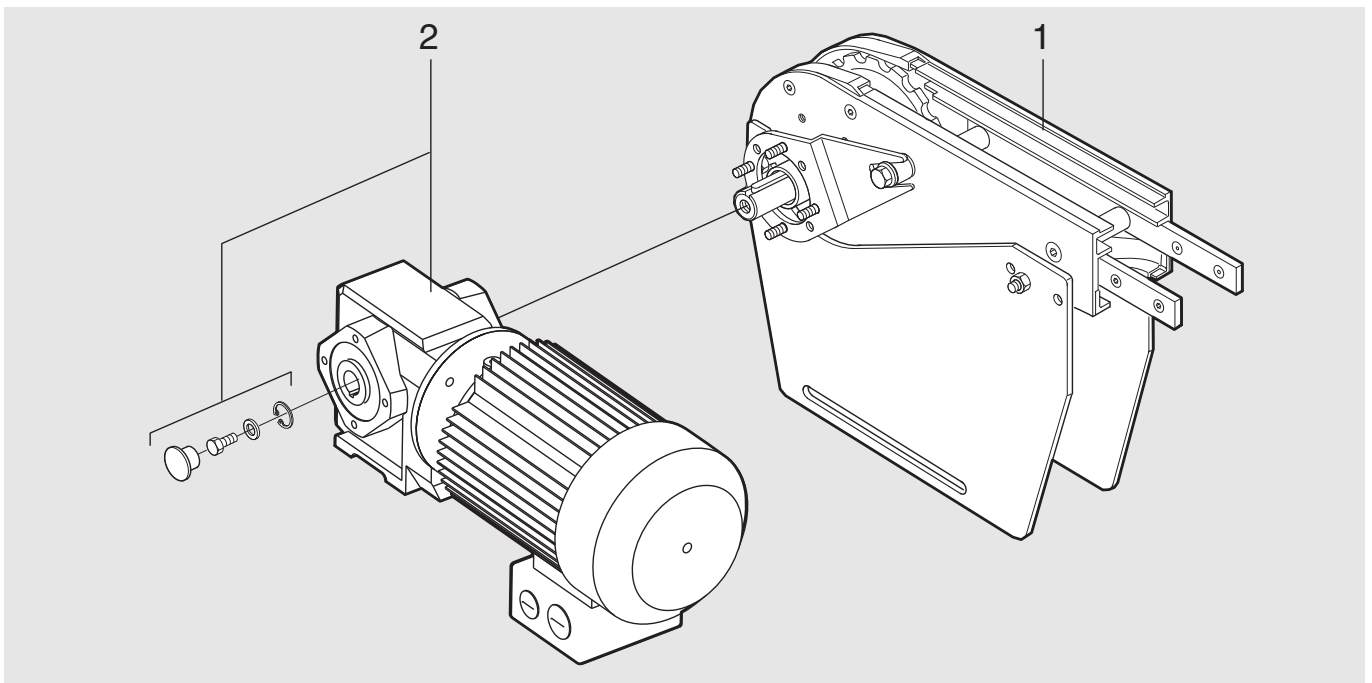


## End drive unit XBEB A85HNP (direct drive, no slip clutch)

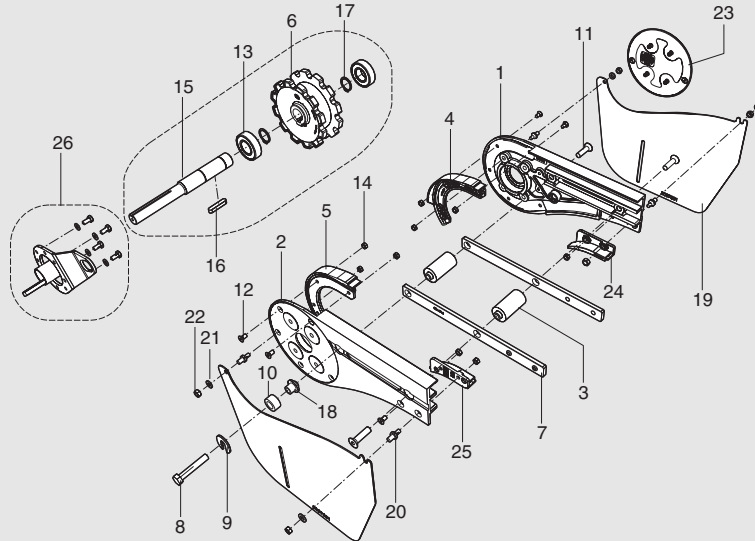
### Revision list

Document designation	Date	Type of revision	Entered by
5382EN-1	07-11-06	Initial version	BS
5382EN-2	08-01-15	Complete unit update	BS
5382EN-3	08-10-15	Spare part kits added	JE
5382EN-4	09-03-19		JE
5382EN-5	10-09-01	Added new column	CB

### Complete unit XBEB A85HNP



Item	Description	Part No	Qty	Comments	Recommended Spare parts
1	0-unit left 0-unit right	XBEB 0A85HNLP XBEB 0A85HNRP	1	See next page for details	
2	Motor	See configuration	1	For SEW SA37 gearmotor	

**0-unit XBEB 0A85HNL P/HNRP**

Item	Description	Part No	Qty	Comments	Recommended Spare parts
1*	Side plate	(5059623)	1	See kit below	
2*	Side plate	(5059641)	1	See kit below	
3	Spacer	-	2		
4+5	Spare part kit, Steering guides	5110795	1	LH+RH	X
6	Wheel	5111617	1	(3904457)	X
7	Connecting strip	-	2		
8*	Screw	(M6S M8x45 6H 8,8 FZB)	1	M6S M8x45 6H 8,8 FZB, See kit below	
9*	Washer torque arm	(5056635)	1	See kit below	
10*	Absorber	(5043874)	1		
11	Screw	MF6S M8x30 10,9 FZB	3		
12	Screw	MF6S M5x10 10,9	6		
13*	Bearing	(6205-2RS1/C3)	2		
14	Nut	M6M M5-8 FZB	10		
15*	Shaft	(5057045)	1	See kit below	
16*	Wedge	(8x7-40 ISO/R 77)	1	See kit below	
17*	Retaining ring	(5045636)	2		
18*	Sleeve	(5043873)	1	See kit below	
19*	Slack protection	(5059581)	2	See kit below	
20*	Distance screw M5/M6	(3925718)	4		
21	Washer	BRB 6,4x12x1,6	4		
22	Nut	M6M M6-8 FZB	4		
23*	Cover plate	(5059568)	1	See kit below	
24+25	Spare part kit, guides	5110796	1	Guides LH+RH	X
26	Torque arm kit	5057039	1	Torque arm, sleeve, screws, washers, wedge	
*) 6+13+15+16+17	Spare part kit, wheel compl.	5111176	1		X
*) 1+2+23	Side plate kit	5111565	1		
*) 8+9+10+18	Absorber kit	5111548	1		
*) 19	Slack protection kit	5111564	1		
*) 20	Distance screw kit	5111598	1	Kit contains 10 pcs	

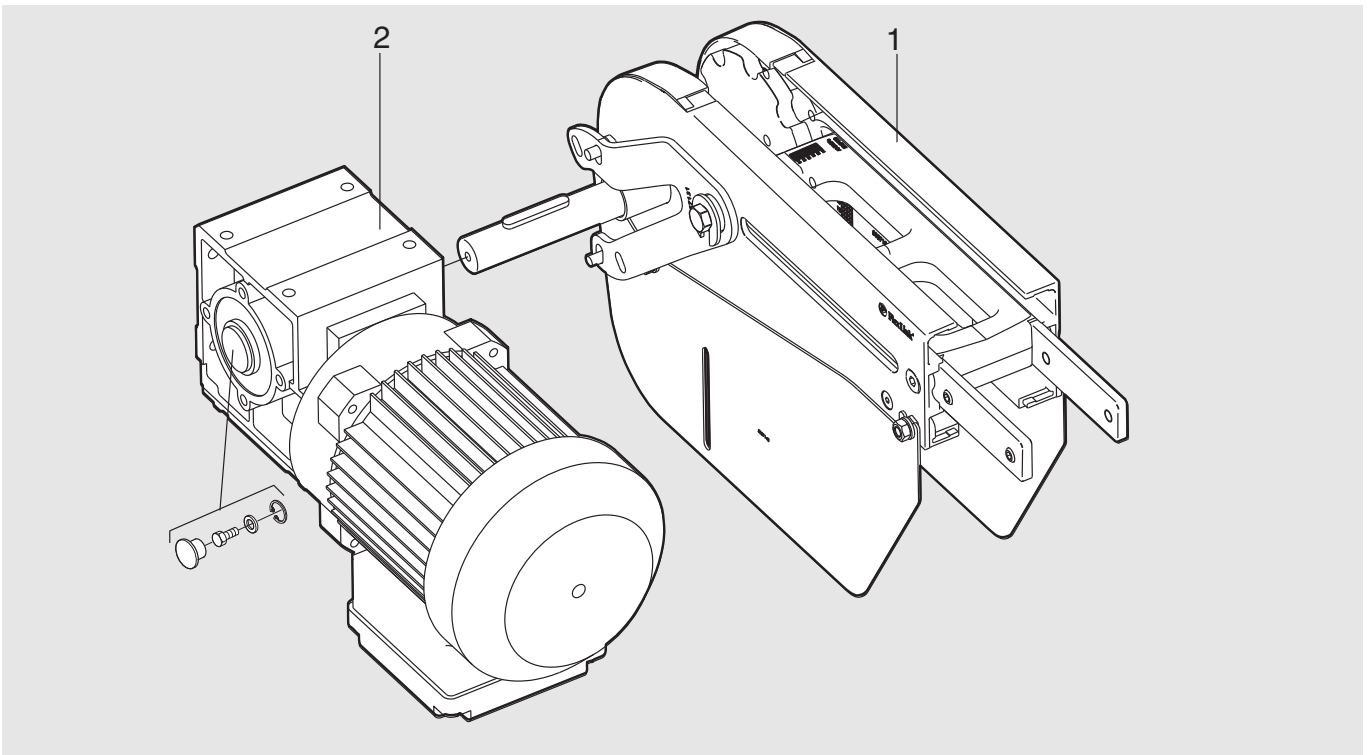


## End drive unit XBEB A85MNP (direct drive, no slip clutch)

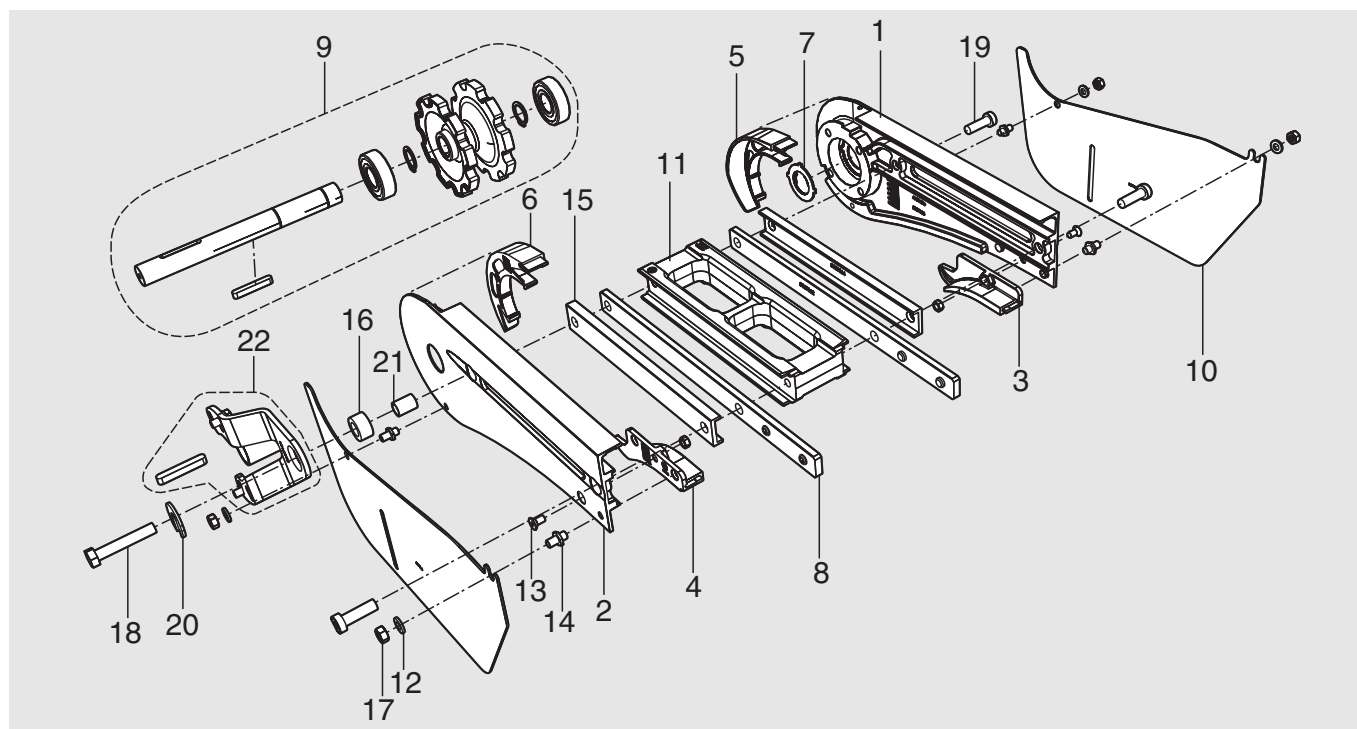
### Revision list

Document designation	Date	Type of revision	Entered by
5383EN-1	07-11-30	Initial version	BS
5383EN-2	08-01-15	Complete unit update	BS
5383EN-3	08-10-16	Spare part kits added	JE
5383EN-4	09-03-19		JE
5383EN-5	10-09-01	Added new column	CB

### Complete unit XBEB A85MNP



Item	Description	Part No	Qty	Comments	Recommended Spare parts
1	0-unit left 0-unit right	XBEB 0A85MNLP XBEB 0A85MNRP	1	See next page for details	
2	Motor	See configuration	1	For SEW WA20 gearmotor	

**0-unit XBEB 0A85MNLP/MNRP**

Item	Description	Part No	Qty	Comments	Recommended Spare parts
1*	Side plate	(5057108)	1	See kit below	
2*	Side plate	(5057107)	1	See kit below	
3+4	Spare part kit, guides	5110452	1	LH+RH	X
5+6	Spare part kit, Steering guides	5110451	1	LH+RH	X
7*	Cover	(5057133)	1	See kit below	
8	Connecting strip	-	2		
9	Spare part kit, wheel compl. WA20	5057899	1	Shaft, sprocket wheel, bearings, retaining rings, wedge	X
10*	Slack protection	(5057142)	2	See kit below	
11	Frame	-	1		
12	Washer	BRB 6,4×12×1,6	4		
13	Screw	MF6S M5×10 10,9	2		
14*	Distance screw M6	(5058111)	4	See kit below	
15	Spacer	-	2		
16*	Absorber	(5043874)	1	See kit below	
17	Nut	M6M M6 6,8 fzb	4		
18*	Screw	(M6S M8×45 6H 8,8 FZB)	1	See kit below	
19	Screw	MLC6S M8×25 10,9 FZB	3		
20*	Washer torque arm	(5056635)	1	See kit below	
21*	Spacer	(5057483)	1	See kit below	
22	Torque arm kit	5058052	1	Torque arm, sleeve, screws, washers, wedge	
*) 1+2+7	Side plate kit	5111562	1	LH+RH	
*) 10	Slack protection kit	5111561	1		
*) 14	Distance screw kit	5111597	1	Kit contains 10 pcs	
*) 16+18+20+21	Absorber kit	5111563	1		

<http://www.flexlink.com>

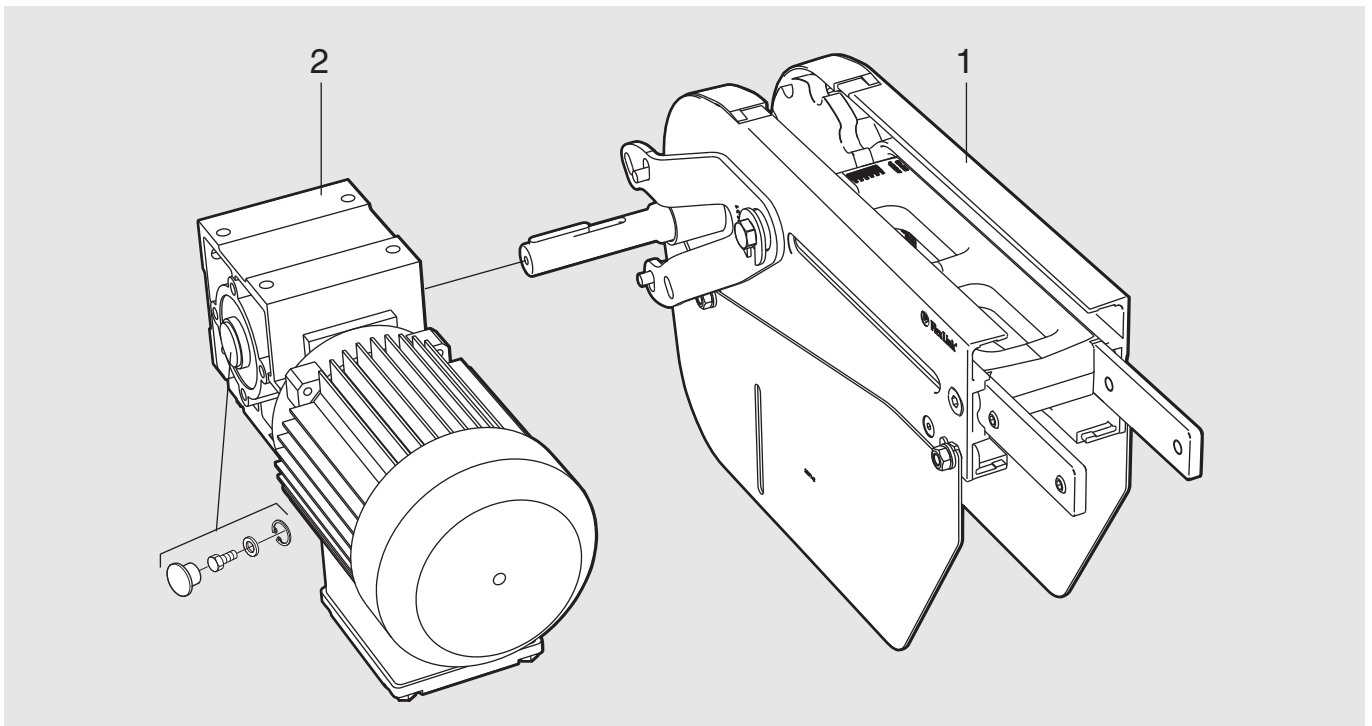


## End drive unit XBEB A85CNP (direct drive, no slip clutch)

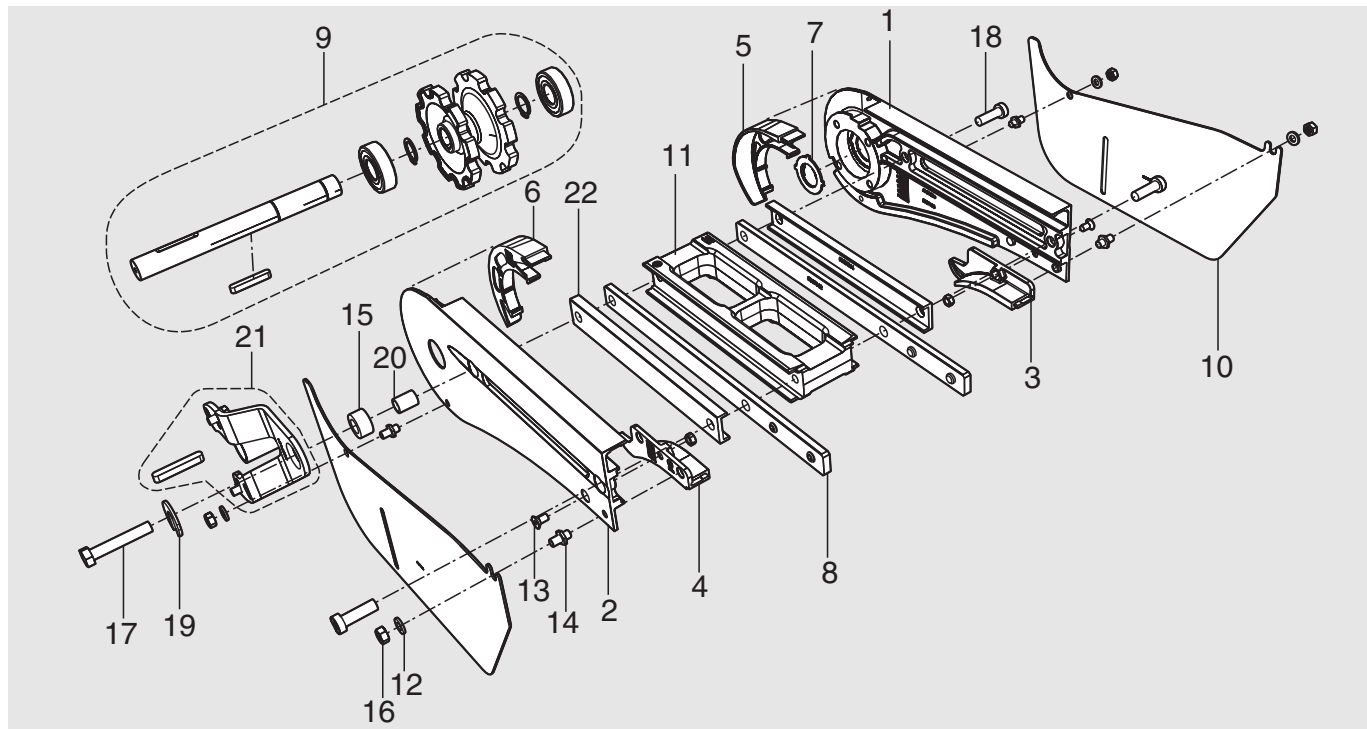
### Revision list

Document designation	Date	Type of revision	Entered by
5384EN-1	07-11-30	Initial version	BS
5384EN-2	08-01-15	Complete unit update	BS
5384EN-3	08-10-15	Spare part kits added	JE
5384EN-4	09-03-19		JE
5384EN-5	10-09-01	Added new column	CB

### Complete unit XBEB A85CNP



Item	Description	Part No	Qty	Comments	Recommended Spare parts
1	0-unit left 0-unit right	XBEB 0A85CNLP XBEB 0A85CNRP	1	See next page.	
2	Motor	See configuration	1	For SEW WA10 gearmotor	

**0-unit XBEB 0A85CNLP/CNRP**

Item	Description	Part No	Qty	Comments	Recommended Spare parts
1*	Side plate	(5057108)	1	See kit below	
2*	Side plate	(5057107)	1	See kit below	
3+4	Spare part kit, Guides	5110452	1	LH+RH	X
5+6	Spare part kit, Steering guides	5110451	1	LH+RH	X
7*	Cover	(5057133)	1	See kit below	
8	Connecting strip	-	2		
9	Spare part kit, wheel compl. WA10	5057898	1	Shaft, sprocket wheel, bearings, retaining rings, wedge	X
10*	Slack protection	(5057142)	2	See kit below	
11	Frame	-	1		
12	Washer	BRB 6,4×12×1,6	4		
13	Screw	MF6S M5×10 10,9	2		
14*	Distance screw M6	(5058111)	4	See kit below	
15*	Absorber	(5043874)	1	See kit below	
16	Nut	M6M M6 6,8 fzb	4		
17*	Screw	(M6S M8X45 6H 8,8 fzb)	1	See kit below	
18	Screw	MLC6S M8×25 10,9 fzb	3		
19*	Washer torque arm	(5056635)	1	See kit below	
20*	Spacer	(5057483)	1	See kit below	
21	Torque arm kit	5058052	1	Torque arm, sleeve, screws, washers, wedge	
22	Spacer	-	2		
*) 1+2+7	Side plate kit	5111562	1	LH+RH	
*) 10	Slack protection kit	5111561	1		
*) 14	Distance screw kit	5111597	1	Kit contains 10 pcs	
*) 15+17+19+20	Absorber kit	5111563	1		

<http://www.flexlink.com>

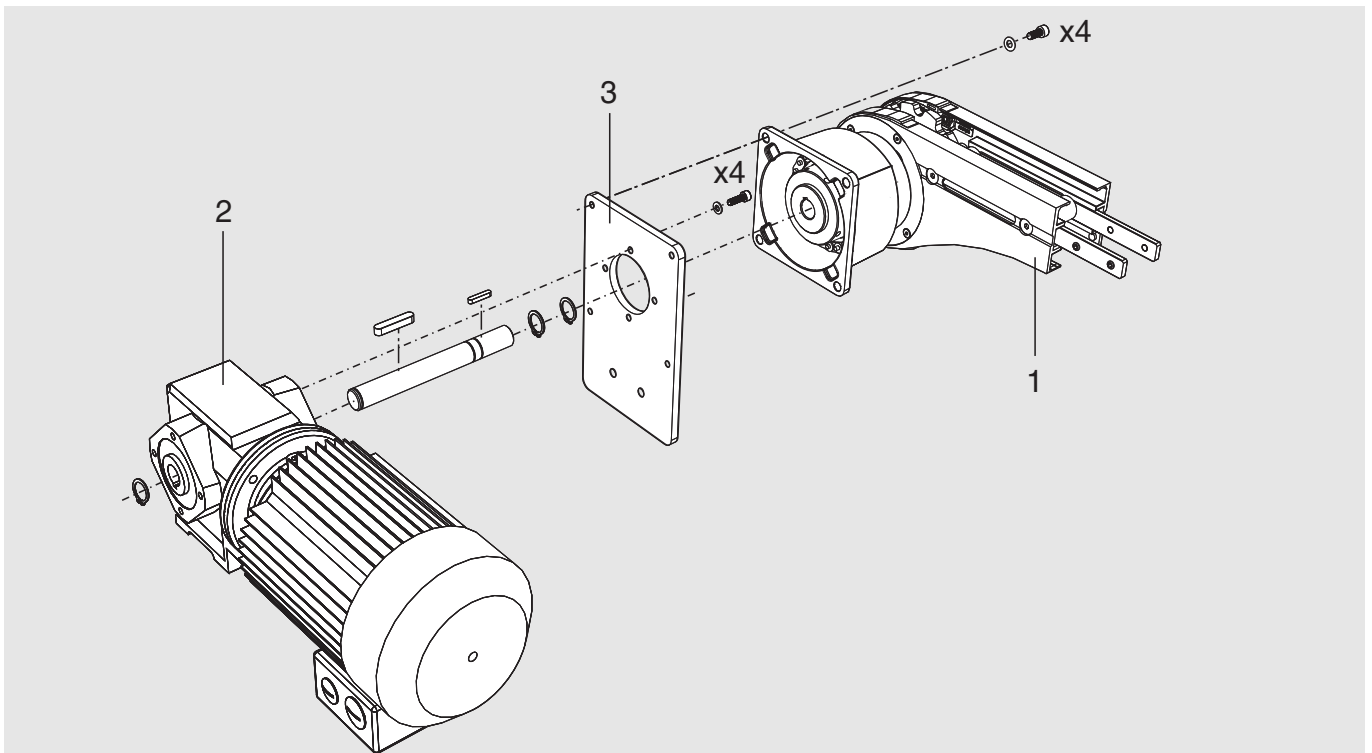


## End drive unit XBEB A85HGP (direct drive, slip clutch, guided)

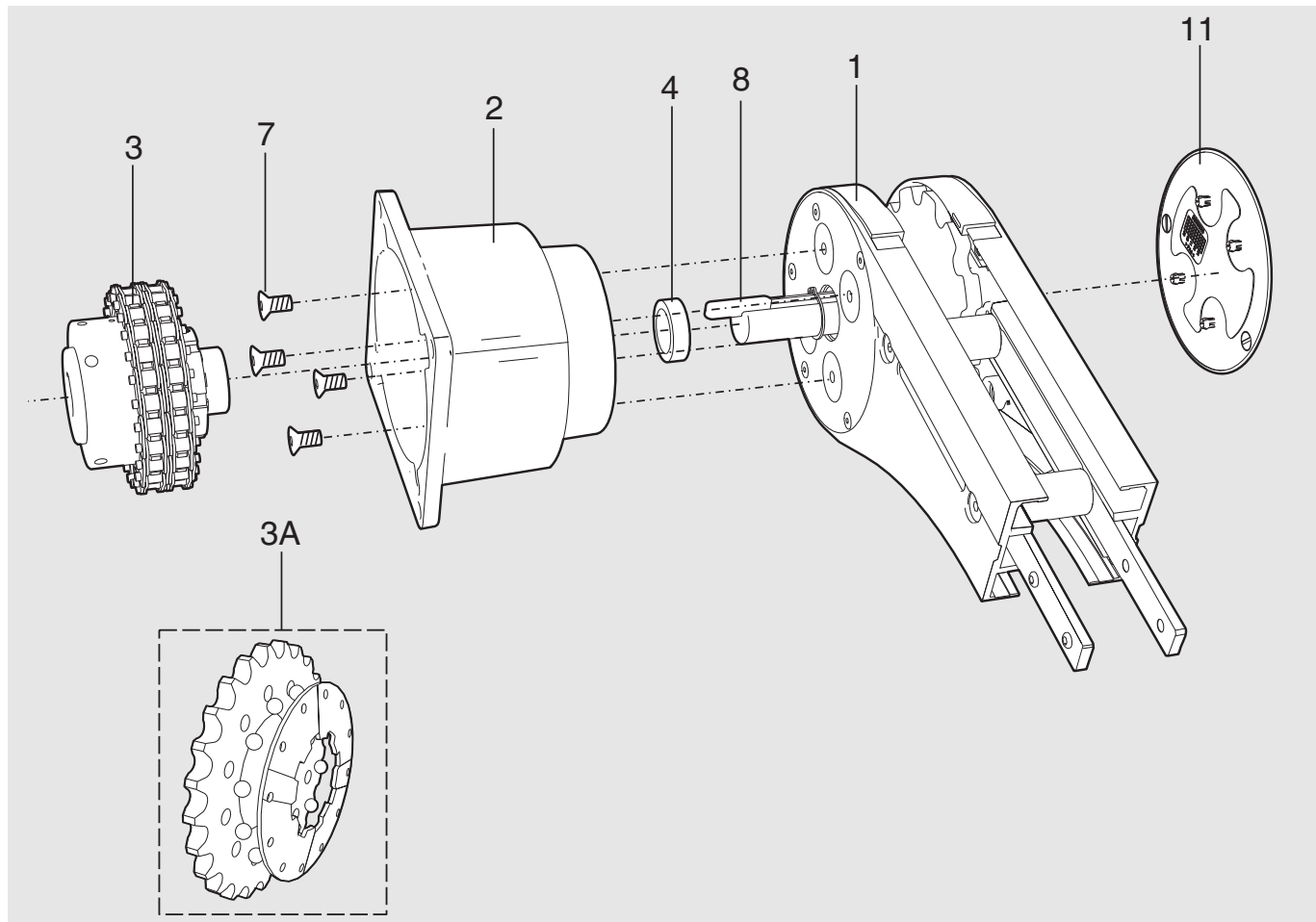
### Revision list

Document designation	Date	Type of revision	Entered by
5493EN-1	09-09-09	Initial version	JE
5493EN-2	10-09-02	Added new column	CB

### Complete unit XBEB A85HGP

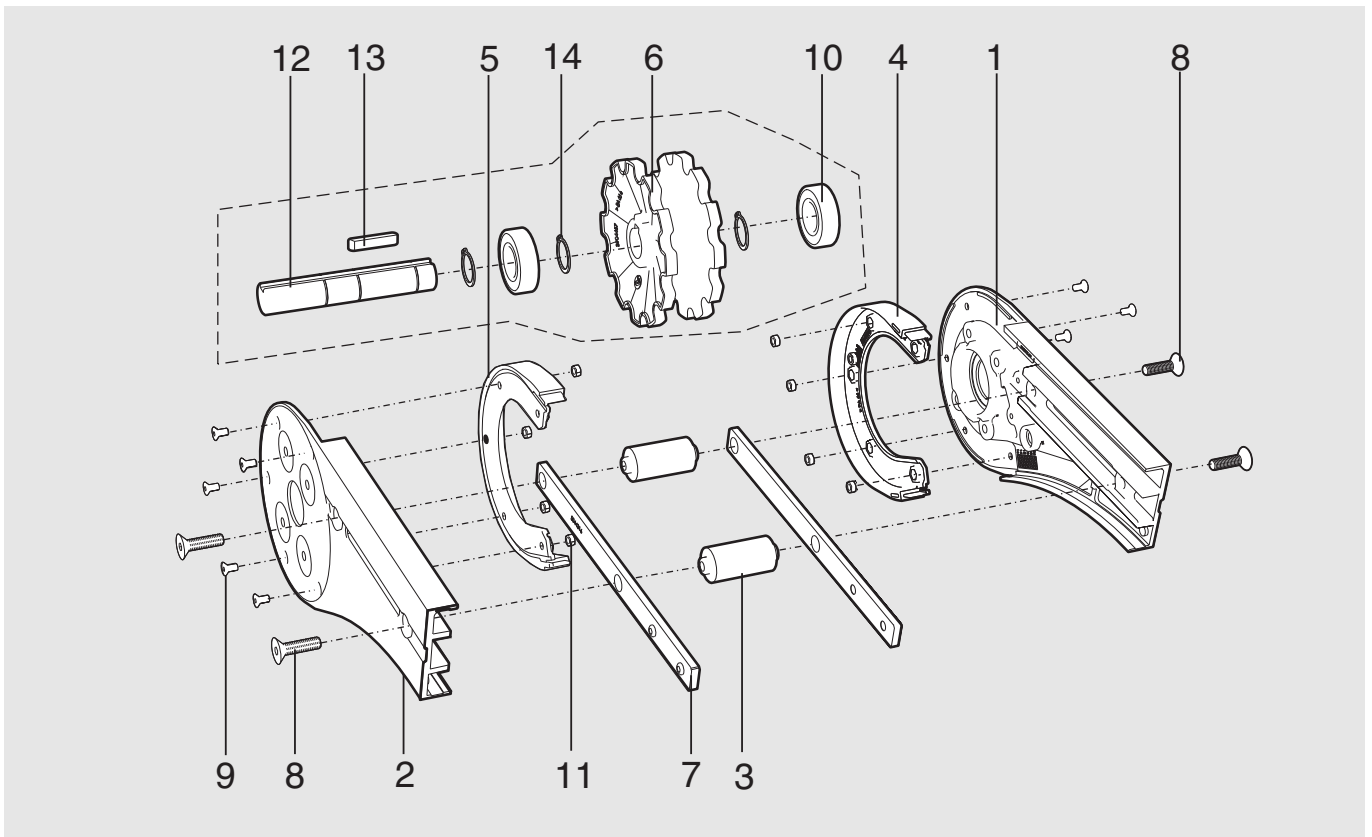


Item	Description	Part No	Qty	Comments	Recommended Spare parts
1	0-unit left 0-unit right	XBEB 0A85HLGP XBEB 0A85HRGP	1	See next page	
2	Motor	See configuration	1		
3	Adapter plate	3920088	1	For SEW SA37 gearmotor	

**0-unit XBEB 0A85HLGP/HRGP**

Item	Description	Part No	Qty	Comments	Recommended Spare parts
1	Basic unit left Basic unit right	XBEB 0A85HLGU XBEB 0A85HRGU	1	See next page	
2	Flange	3920084	1		
3	Slip clutch $\varnothing 20/\varnothing 25$ mm	5054003	1		
3A	Spare parts kit for slip clutch	5056817	(1)	Kit contains sprocket wheel, cup spring and balls.	X
4	Spacer	3921652	1		
7	Screw	M8x16 10,9-A2K	4	ISO 10642	
8	Thin parallel key	5045637	1	DIN 6885 h9 8x7x40	
11*	Cover plate	(5059568)	1	See kit below	
*) 11	Cover plate kit	5111565	1		

## Basic unit XBEB 0A85HLGU/HRGU



Item	Description	Part No	Qty	Comments	Recommended Spare parts
1*	Side plate	5059624	1		
2*	Side plate	5059642	1		
3	Spacer	5044322	2		
4*	Steering guide R	(5043876)	1	See kit below	
5*	Steering guide L	(5043876)	1	See kit below	
6	Wheel	5111617	1	(3904457)	X
7	Connecting strip	5044316	2		
8	Screw	MF6S M8x35 10,9 FZB	4		
9	Screw	MF6S M5x10 10,9	10		
10*	Bearing	6205-2RS1/C3	2	See kit below	
11	Nut	M6M M5-A2K	10	ISO 4032	
12*	Drive shaft	(3904459)	1	See kit below	
13*	Thin parallel key	8x7-40	1	See kit below, DIN 6885A h9	
14*	Retaining ring	(SGA 25) DIN 471	3	See kit below	
*) 4+5	Spare part kit, Steering guides	5111174	1	LH+RH	X
*) 6+10+12+13+14	Spare part kit, wheel compl.	5111177	1		X

This page is intentionally left blank

# Spare parts XBER A85MNP



Technical information from FlexLink

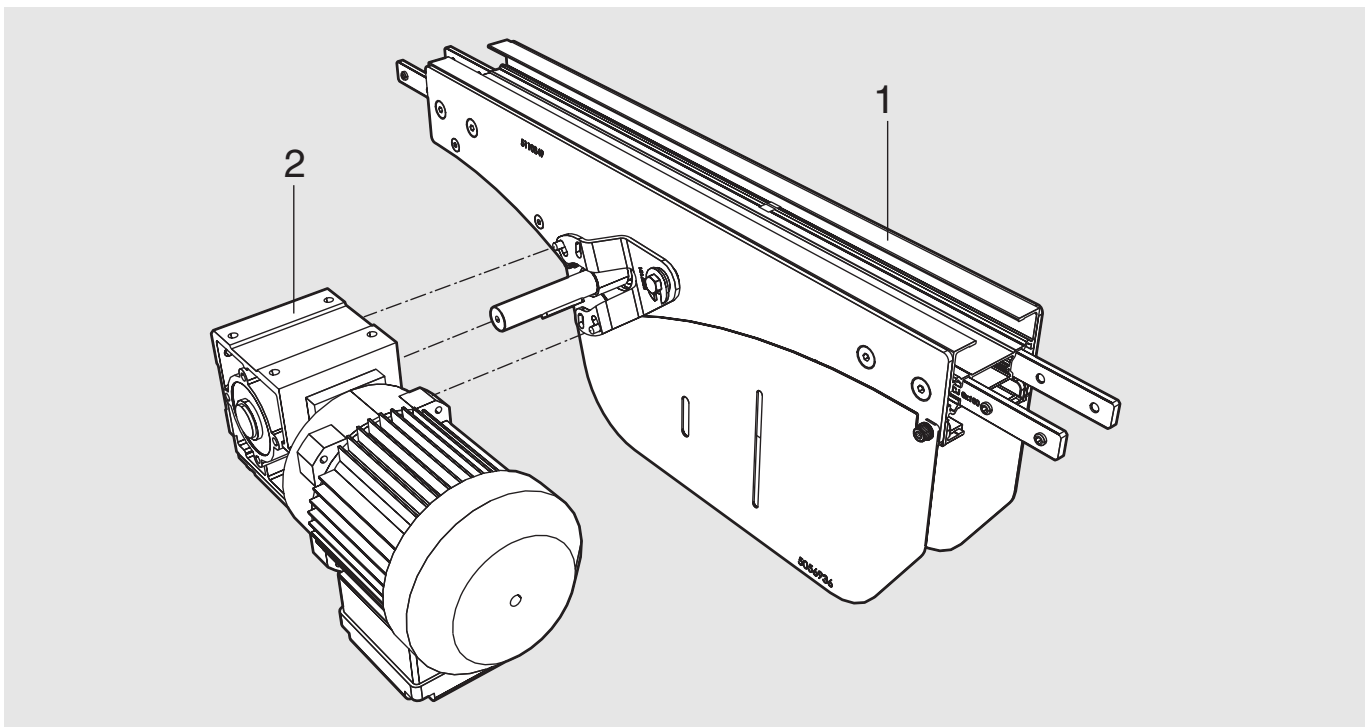
5387EN-5

## Intermediate drive unit XBER A85MNP (direct drive, no slip clutch)

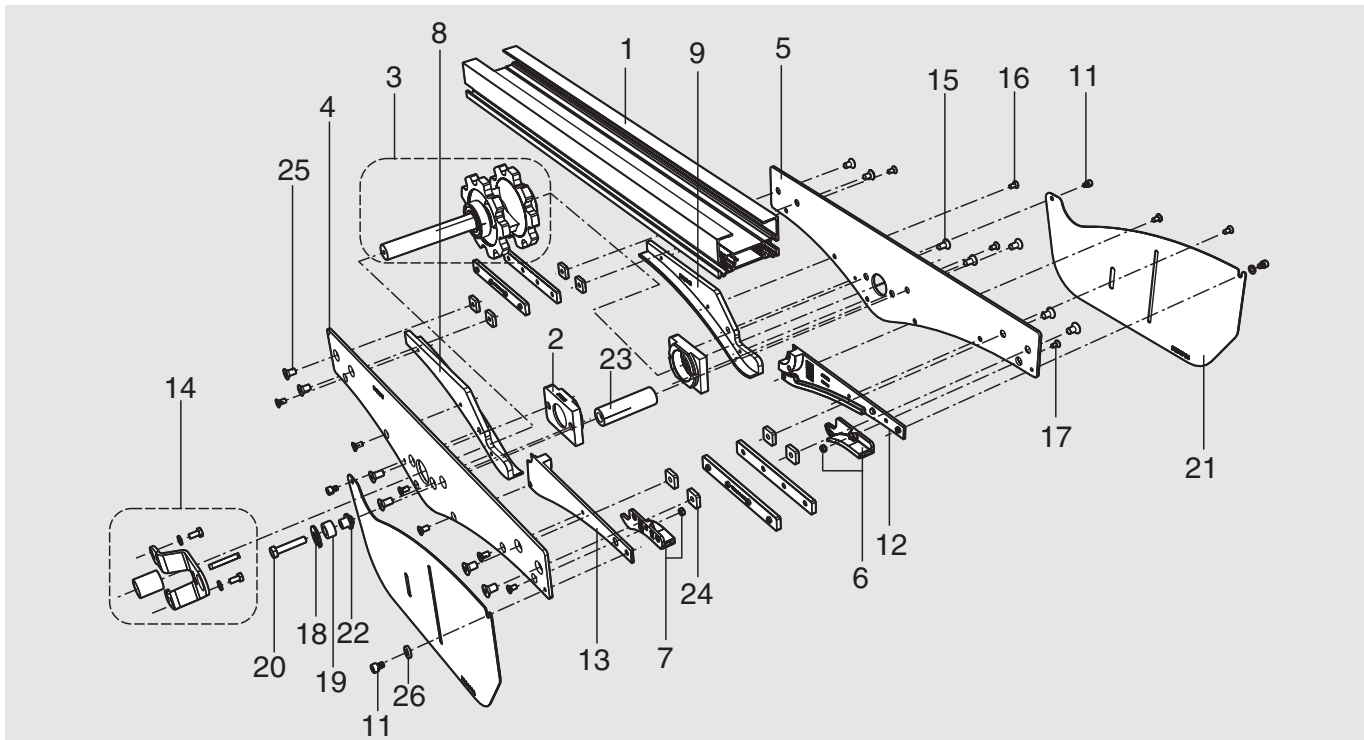
### Revision list

Document designation	Date	Type of revision	Entered by
5387EN-1	07-12-05	Initial version	BS
5387EN-2	08-01-15	Complete unit update	BS
5387EN-3	08-10-15	Spare part kits added	JE
5387EN-4	09-03-19		JE
5387EN-5	10-09-02	Added new column	CB

## Complete unit XBER A85MNP



Item	Description	Part No	Qty	Comments	Recommended Spare parts
1	0-unit	XBER 0A85MNLP/MNRP	1	See next page.	
2	Motor	See configuration	1	For SEW WA20 gearmotor	

**0-unit XBER 0A85MNLP/MNRP**

Item	Description	Part No	Qty	Comments	Recommended Spare parts
1	Beam (mid-section)	-	1		
2	Bearing housing	-	2		
3	Spare part kit, Wheel complete	5111196	1	Shaft, sprocket wheel, bearings, retaining rings, wedge	X
4	Mounting plate	-	1		
5	Mounting plate	-	1		
6+7	Spare part kit, Guides	5110452	1	LH+RH including nuts	X
8+9	Spare part kit, Steering guides	5111038	1	LH+RH	X
10	Connecting strip	XSCJ 6×160	4		
11	Screw	MC6S M6×8 8,8 FZB	4		
12	Side plate	-	1		
13	Side plate	-	1		
14	Torque arm kit	5058052	1	Torque arm, sleeve, screws, washers, wedge	
15	Screw	MF6S M8×16 10,9	5		
16	Screw	MF6S M6×12 FZB	10		
17	Screw	MF6S M5×10 10,9	2		
18*	Washer, torque arm	(5056635)	1	See kit below	
19*	Absorber	(5043874)	1	See kit below	
20*	Screw	(M6S M8×40 6H 8,8 FZB)	1	See kit below	
21*	Slack protection	(5056936)	2	See kit below	
22*	Sleeve	(5043873)	1	See kit below	
23	Spacer	-	1		
24	Square nut	XLAQ 8	8		
25	Screw	MF6S M8×14 10,9	8		
26	Washer	BRB 6.4×12×1,6	4		
*) 18+19+20+22	Absorber kit	5111548	1		
*) 21	Slack protection kit	5111549	1	LH+RH	

<http://www.flexlink.com>

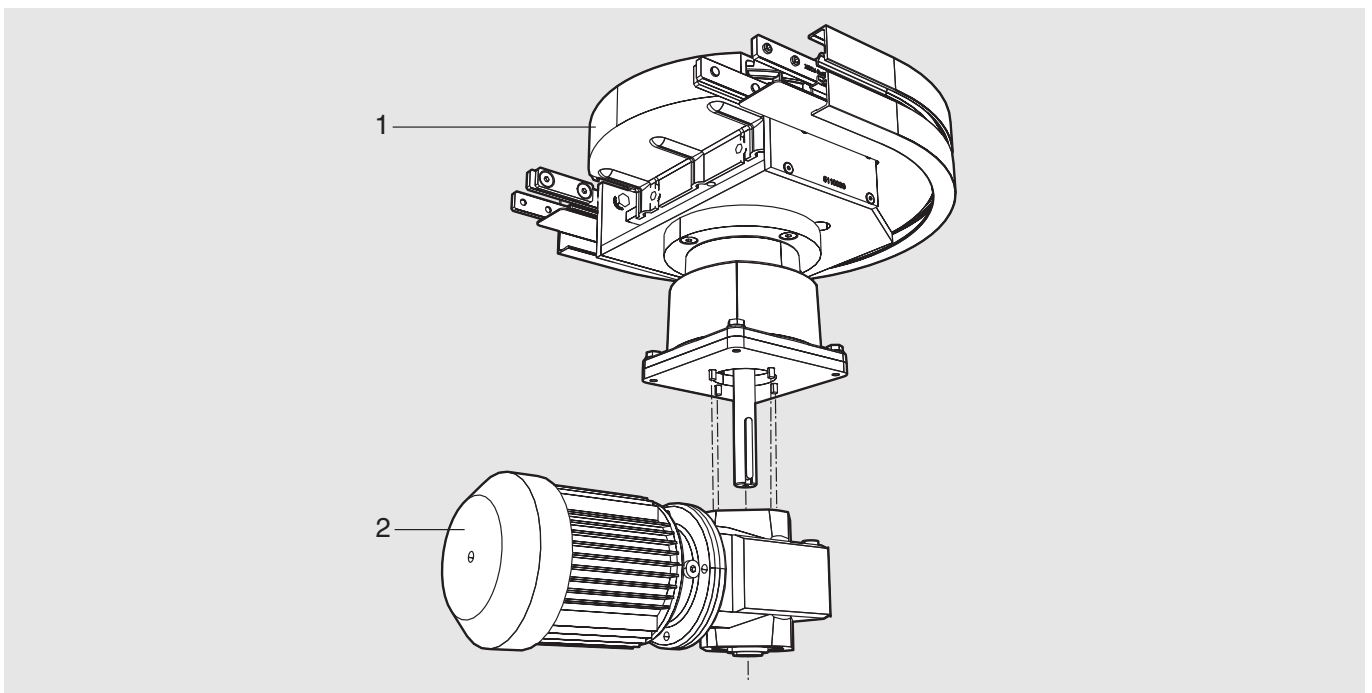


## Horizontal bend drive unit XBEW 180A85HP (direct drive, slip clutch)

### Revision list

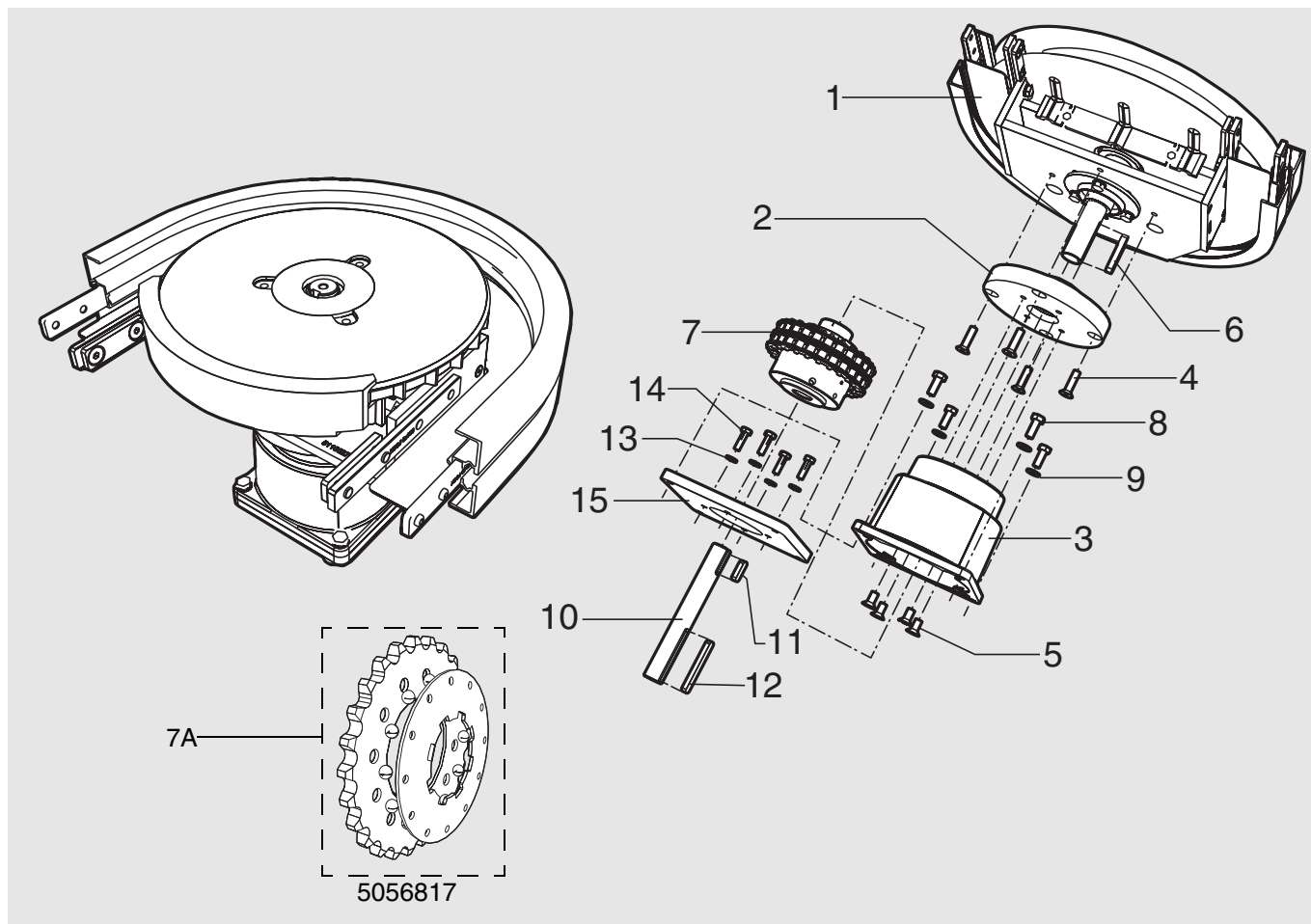
Document designation	Date	Type of revision	Entered by
5385EN-1	07-11-28	Initial version	BS
5385EN-2	08-01-15	Complete unit update	BS
5385EN-3	10-09-01	Added new column	CB

### Complete unit XBEW 180A85HP

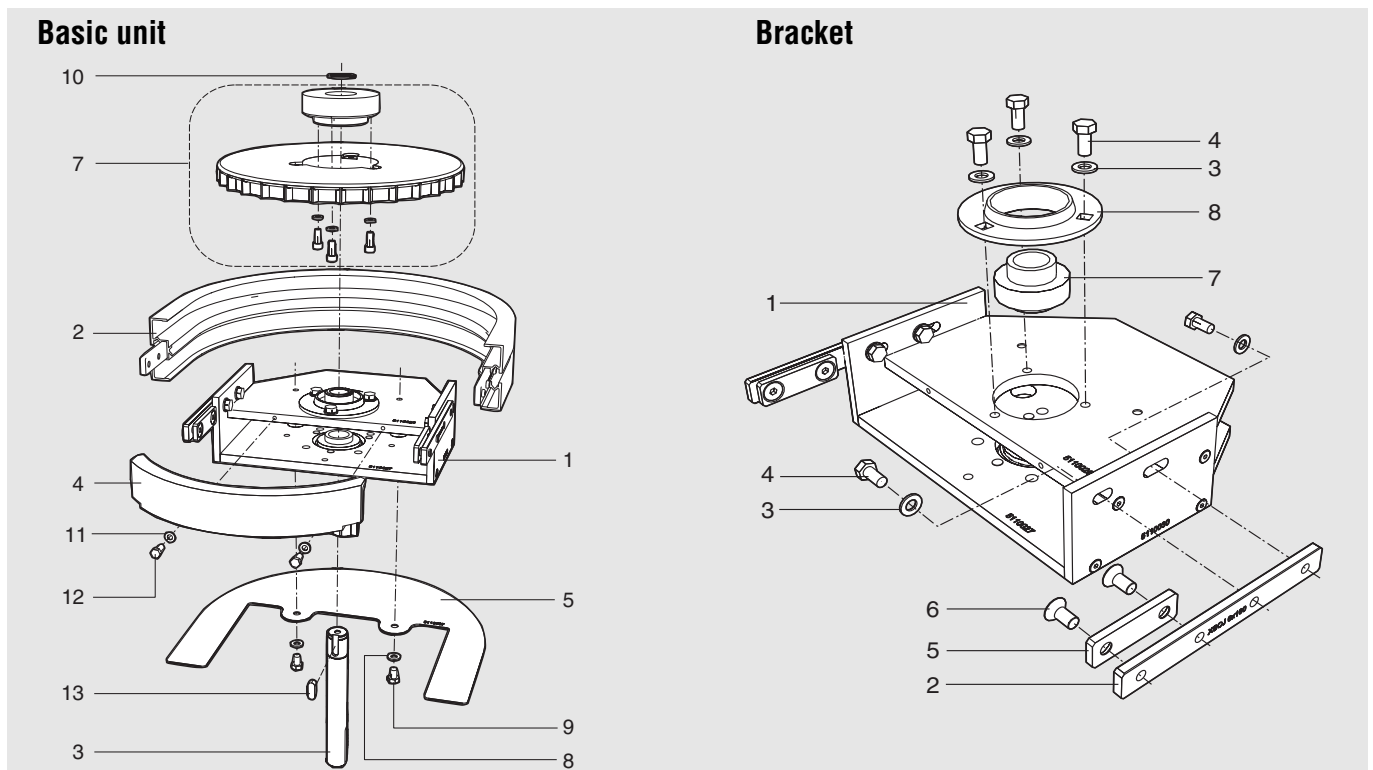


Item	Description	Part No	Qty	Comments	Recommended Spare parts
1	0-unit	XBEW 18/0A85HP	1	See next page.	
2	Motor	See configuration	1	For SEW SA37 gearmotor	

Note. For XBEW drive units, the adapter plate is part of the 0-unit. See next page.

**0-unit XBEW 18/0A85HP**

Item	Description	Part No	Qty	Comments	Recommended Spare parts
1	Basic unit	-	1	See next page	
2	Spacer	-	1		
3	Flange	3920084	1		
4	Screw	MF6S M8×30 10,9	4		
5	Screw	MF6S M8×16 10,9	4		
6	Wedge	8×7-50 ISO/R 77	1		
7	Slip clutch Z=25 1/2"	5054003	1		
7A	Spare parts kit for slip clutch	5056817	(1)	Kit contains sprocket wheel, cup spring and balls.	X
8	Screw	M6S M8×20 6H 8,8 fzb	4		
9	Washer	BRB 8,4×16×1,6	4		
10	Shaft	-	1		
11	Wedge	6×6-22 ISO/R 773 (SMS-2306)	1		
12	Wedge	6×6×56 SMS 2306	1		
13	Washer	BRB 6,4×12×1,6	4		
14	Screw	M6S M6×20 8,8 fzb	4		
15	Adapter plate	-	1		



## Basic unit

Item	Description	Part no	Qty	Comments	Recommended Spare parts
1	Bracket	-	1	See below	
2	Outer bend for wheel bend	-	1		
3	Shaft	-	1		
4	Cover	-	1		
5	Cover	-	1		
7	Spare parts kit, drive wheel	5110646	1		X
8	Washer	BRB 8,4×16×1,6	2		
9	Screw	M6S M8×12 6H 8,8	2		
10	Retaining ring	SGA 25	2		
11	Flat washer	BRB 5,3×10	2		
12	Screw	M6S M5×12 6H 8,8	2		
13	Wedge	8×7-22 ISO/R 77	1		

## Bracket

Item	Description	Part no	Qty	Comments	Recommended Spare parts
1	Bracket	-	1		
2	Connecting strip	XSCJ 6×160	2		
3	Washer	BRB 8,4×16×1,6	3+4		
4	Screw	M6S M8×16 6H 8,8	3+4		
5	T-slot washer strip kit	XCAQ 20×64 CA	2		
6	Screw	MF6S M8×16 10,9	4		
7	Bearing	YAR 205-2F	2	Y-bearing dia 25	
8	Washer	PF 52	2		

This page is intentionally left blank

# Spare parts XBEW 180A85HNP



Technical information from FlexLink

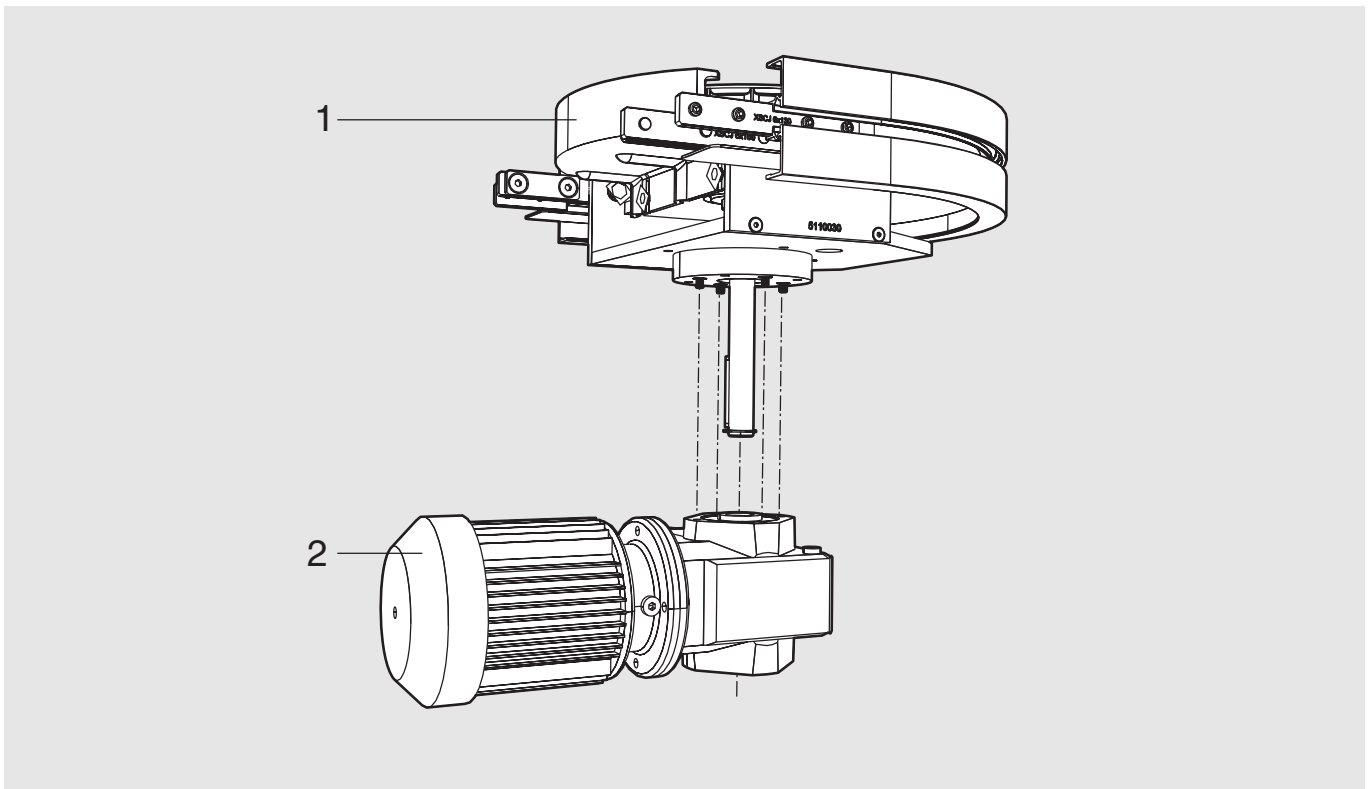
5386EN-3

## Horizontal bend drive unit XBEW 180A85HNP (direct drive, no slip clutch)

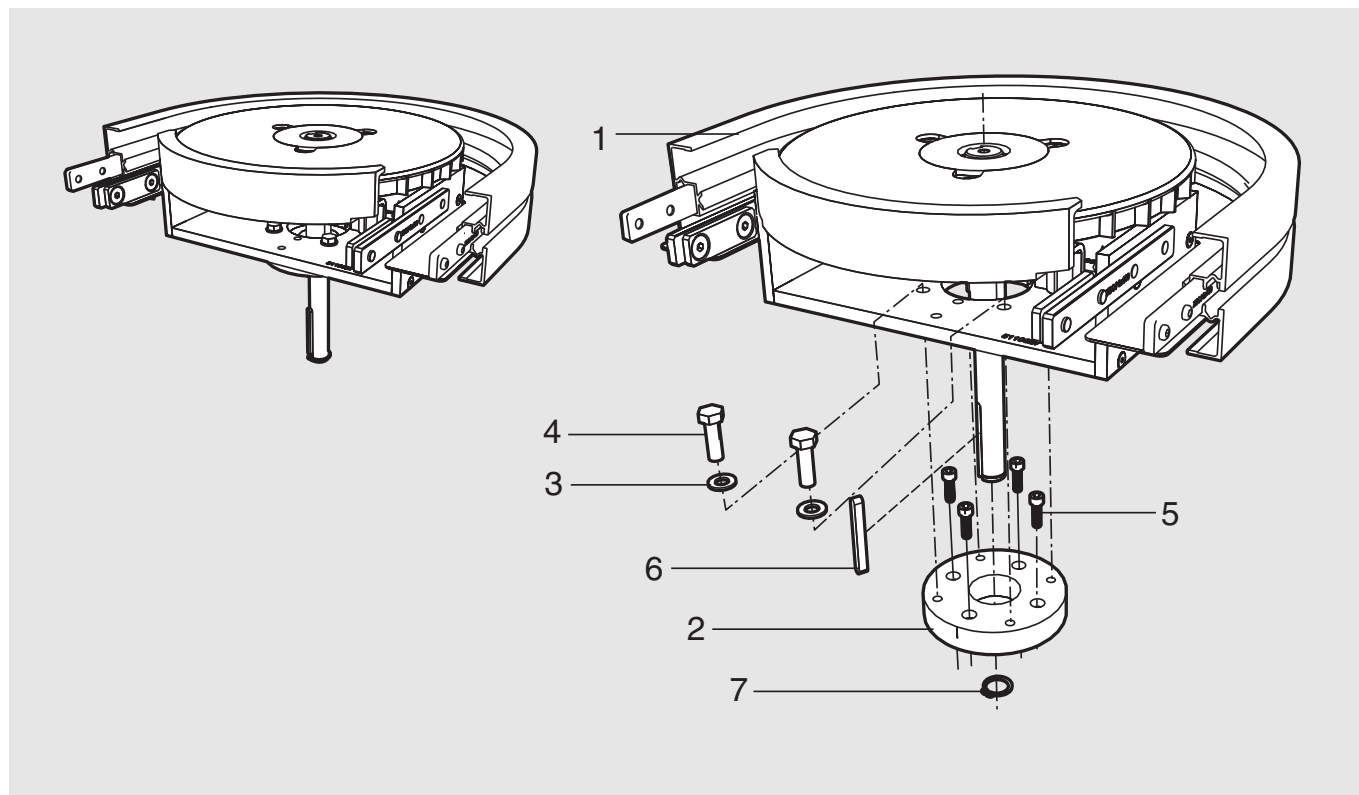
### Revision list

Document designation	Date	Type of revision	Entered by
5386EN-1	07-11-29	Initial version	BS
5386EN-2	08-01-15	Complete unit update	BS
5386EN-3	10-09-02	Added new column	CB

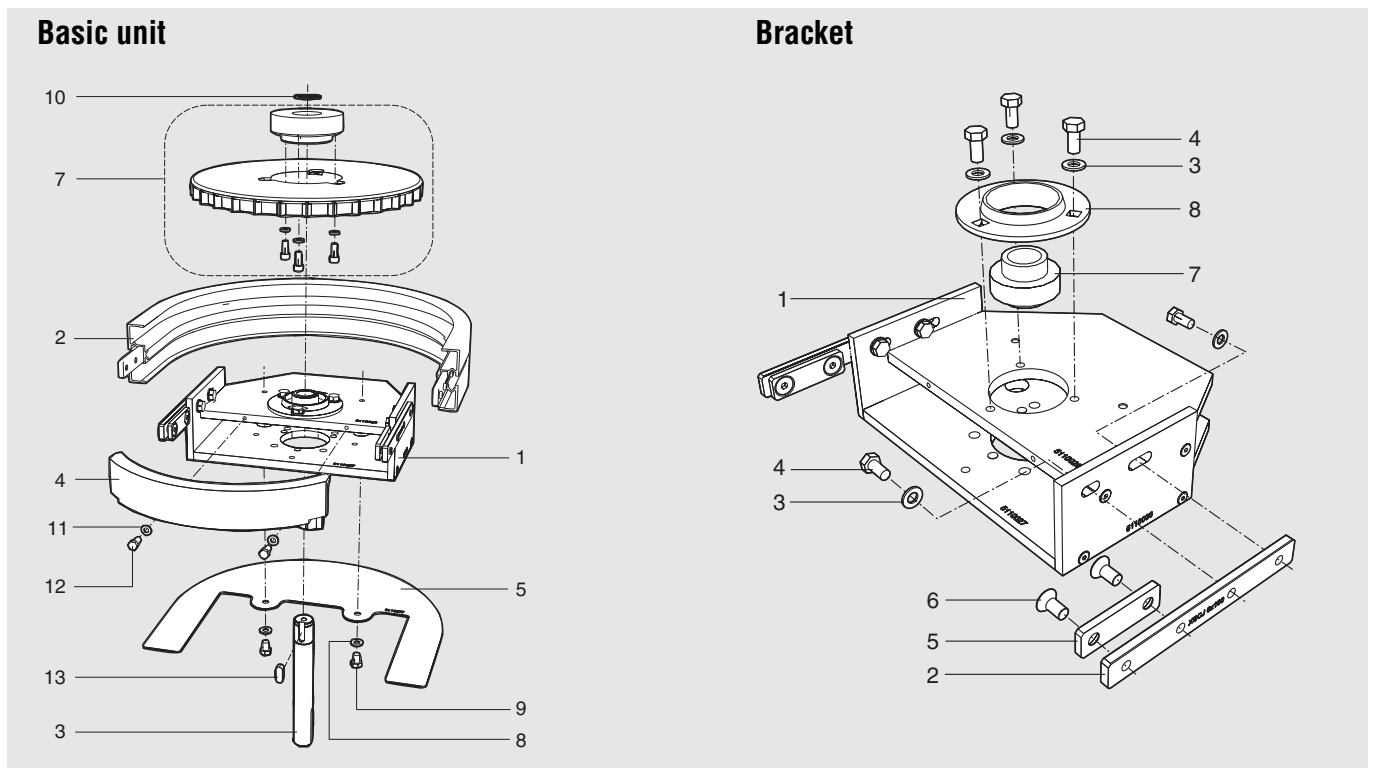
### Complete unit XBEW 180A85HNP



Item	Description	Part No	Qty	Comments	Recommended Spare parts
1	0-unit	XBEW 18/0A85HNP	1	See next page.	
2	Motor	See configuration	1	For SEW SA37 gearmotor	

**0-unit XBEW 18/0A85HNP**

Item	Description	Part No	Qty	Comments	Recommended Spare parts
1	Basic unit	-	1	See next page	
2	Spacer	-	1		
3	Washer	BRB 8,4×16×1,6	4		
4	Screw	M6S M8×25 6H 8,8 fzb	4		
5	Screw	MC6S M6×20 8,8	4		
6	Wedge	6×6×56 SMS 2306	1		
7	Retaining ring	SGA 20 DIN 471	1		



## Basic unit

Item	Description	Part no	Qty	Comments	Recommended Spare parts
1	Bracket	-	1	See below	
2	Outer bend for wheel bend	-	1		
3	Shaft	-	1		
4	Cover	-	1		
5	Cover	-	1		
7	Spare parts kit, drive wheel	5110646	1		X
8	Washer	BRB 8,4×16×1,6	2		
9	Screw	M6S M8×12 6H 8,8	2		
10	Retaining ring	SGA 25	2		
11	Flat washer	BRB 5,3×10	2		
12	Screw	M6S M5×12 6H 8,8	2		
13	Wedge	8×7-22 ISO/R 77	1		

## Bracket

Item	Description	Part no	Qty	Comments	Recommended Spare parts
1	Bracket	-	1		
2	Connecting strip	XSCJ 6×160	2		
3	Washer	BRB 8,4×16×1,6	3+4		
4	Screw	M6S M8×16 6H 8,8	3+4		
5	T-slot washer strip kit	XCAQ 20×64 CA	2		
6	Screw	MF6S M8×16 10,9	4		
7	Bearing	YAR 205-2F	1	Y-bearing dia 25	
8	Washer	PF 52	1		

This page is intentionally left blank

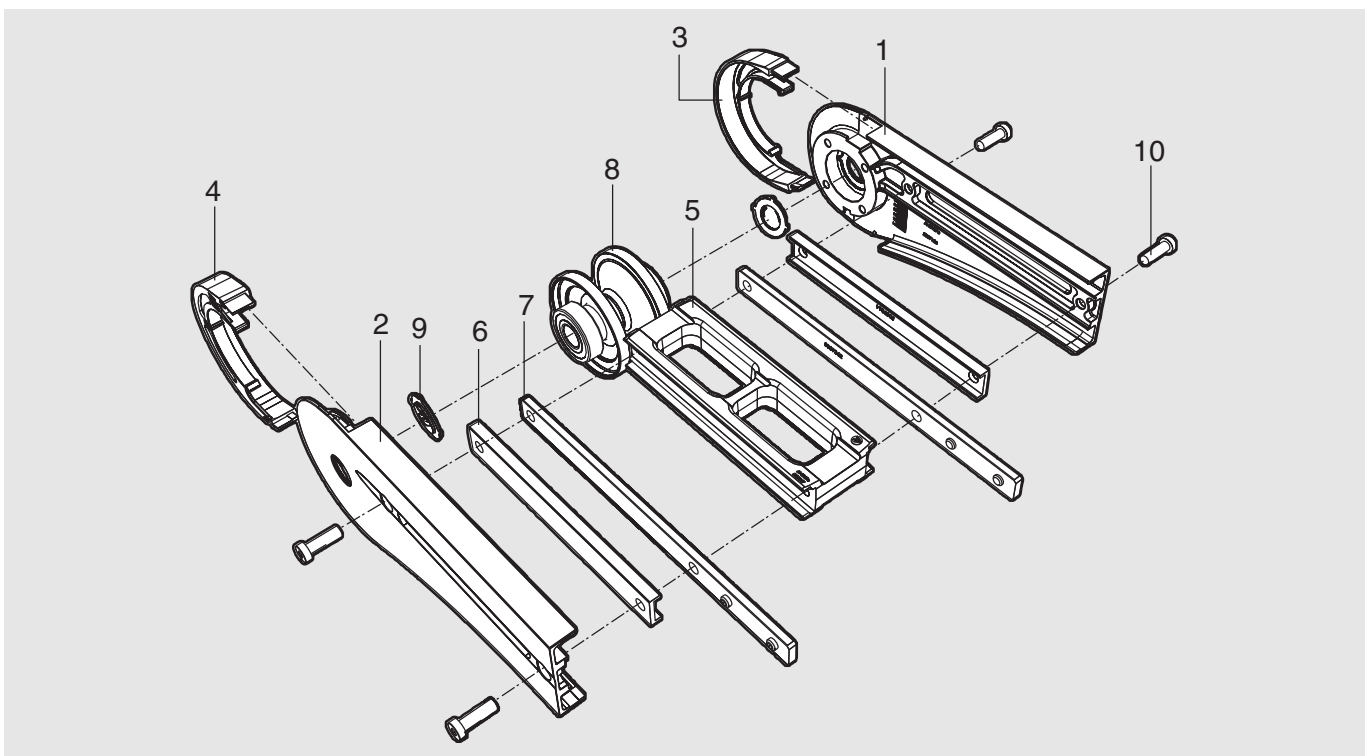


## Idler end unit XBEJ A85 S

### Revision list

Document designation	Date	Type of revision	Entered by
5376EN-1	07-11-30	Initial version	
5376EN-2	08-10-15	Spare part kits added	JE
5376EN-3	09-03-19		JE
5376EN-4	10-09-01	Added new column	CB

## Complete unit XBEJ A85 S



Item	Description	Part No	Qty	Comments	Recommended Spare parts
1*	Side plate	(5057126)	1	See kit	
2*	Side plate	(5057125)	1	See kit	
3+4	Spare parts kit, steering guides	5110453	1	Steering guides LH+RH	X
5	Frame	(5059367)	1		
6	Spacer	(5059364)	2		
7	Connecting strip	(5059362)	2		
8*	Assembly kit Idler end	(5057610)	1	See kit	
9*	Cover	(5057133)	2	See kit	
10	Screw	MLC6S M8X25 10,9 FZB	4		
*) 1+2+9	Side plate kit	5111551	1		
*) 8	Wheel kit	5111550	1		X

This page is intentionally left blank

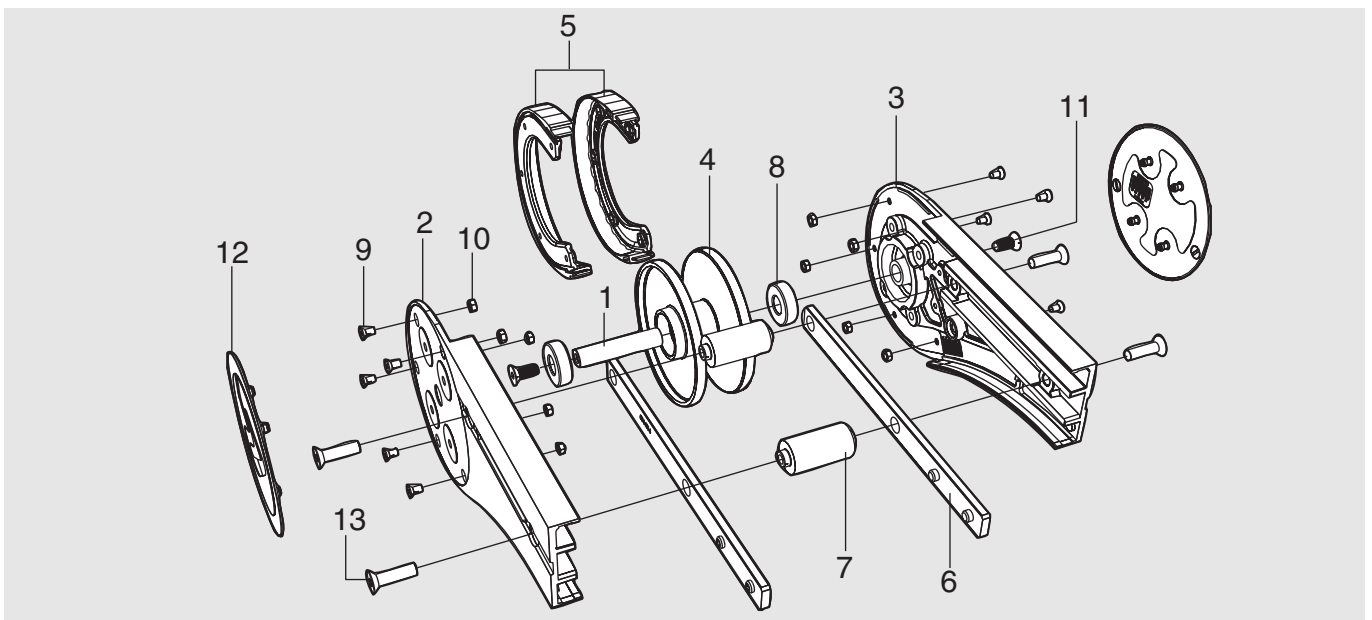


## Idler end unit XBEJ A85

### Revision list

Document designation	Date	Type of revision	Entered by
5379EN-1	07-10-12	Initial version	
5379EN-2	08-10-15	Spare part kits added	JE
5379EN-3	09-03-19		JE
5379EN-4	10-09-01	Added new column	CB

## Complete unit XBEJ A85



Item	Description	Part No	Qty	Comments	Recommended Spare parts
1	Shaft	3921074	1		
2*	Side plate	(5059640)	1	See kit below	
3*	Side plate	(5059622)	1	See kit below	
4*	Idler wheel	5111553	1	(3924517)	X
5	Spare parts kit, Steering guides	5111174	1	LH+RH	X
6	Connecting strip	5044316	2		
7	Spacer	5044322	2		
8	Bearing	6202-2Z	2		
9	Screw	MF6S M5×10 10,9 FZB	10		
10	Nut	M6M M5-8 FZB	10		
11	Screw	MF6S M8×20 10,9	2		
12*	Cover plate	(5059568)	2	See kit below	
13	Screw	MF6S M8×30 10,9 FZB	4		
*) 2+3+12	Side plate kit	5111552	1	LH+RH	

This page is intentionally left blank

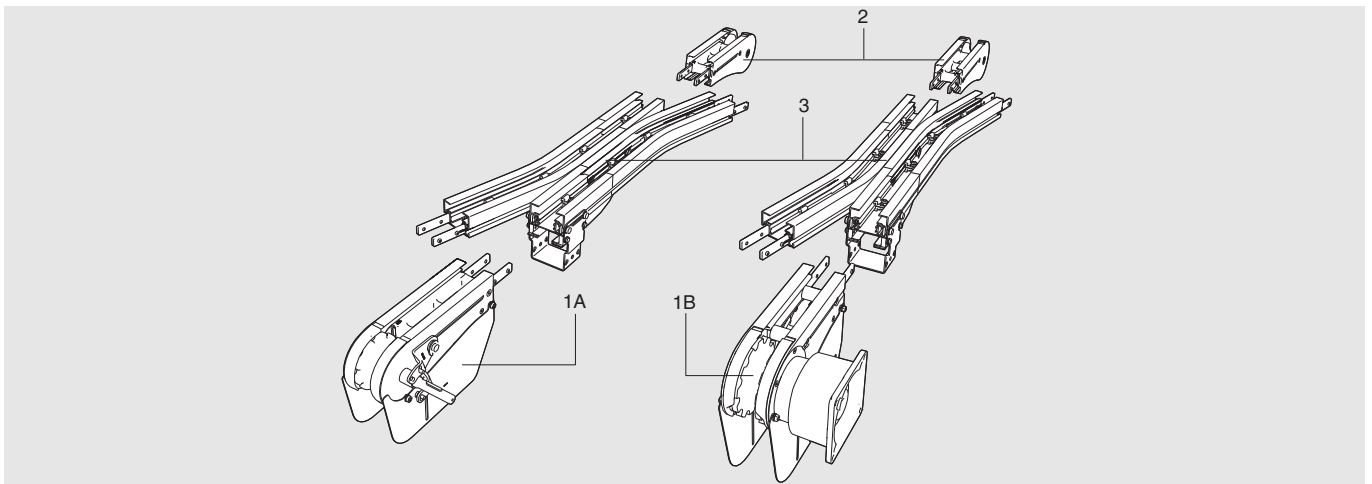


## In-line transfer unit XBEY 0A85 ...

### Revision list

Document designation	Date	Type of revision	Entered by
5388EN-1	07-12-05	Initial version	BS
5388EN-2	10-09-02	Added new column	CB

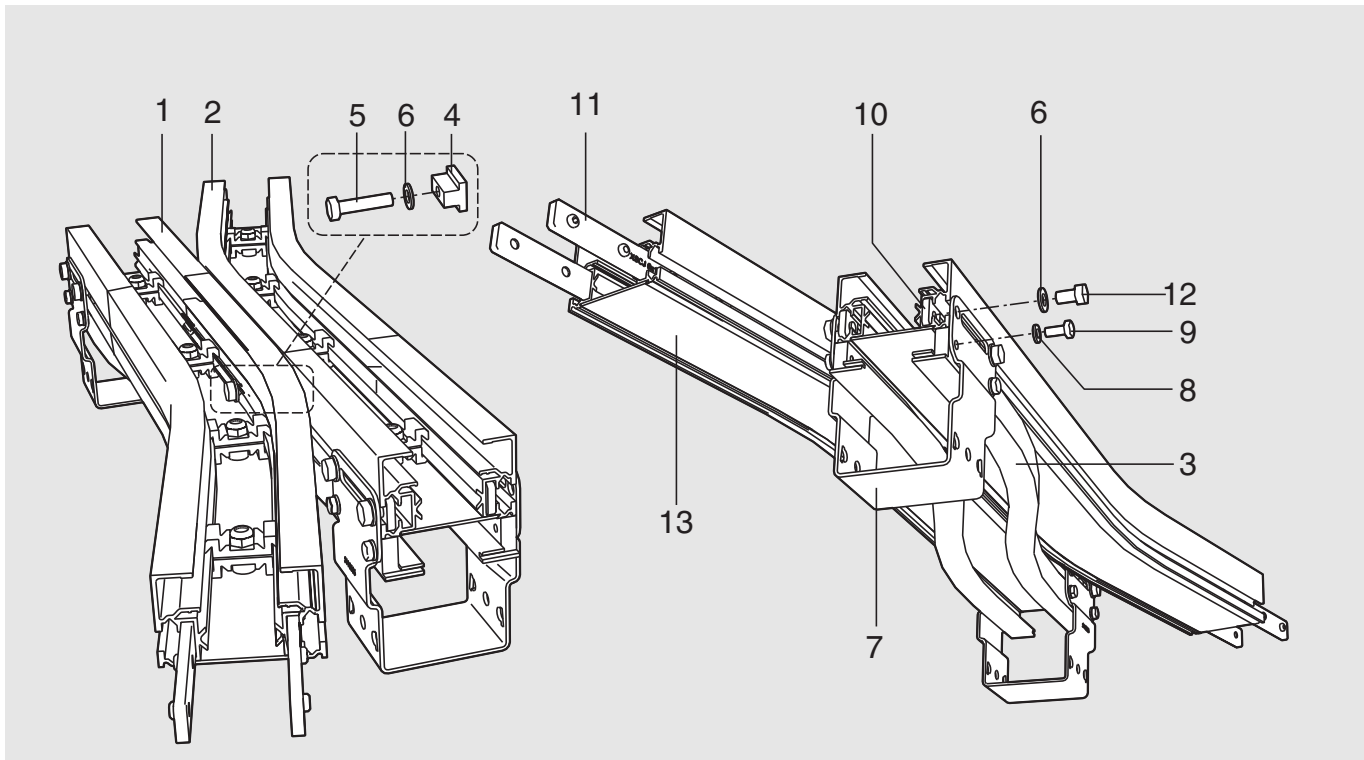
### 0-unit XBEY 0A85 ...



Item	Description	Part no	Qty	Comments	Recommended Spare parts
<b>XBEY 0A85CN_P/ CN_P(J):</b>					
1A	0-unit (Left-hand version)	XBEB 0A85CNLP	1	See "Spare parts XBEB 0A85CNLP/CNRP"	
	0-unit (Right-hand version)	XBEB 0A85CNRP	1		
2	Idler end	XBEJ A85 S	1	See "Spare parts XBEJ A85 S"	
3	Beam section kit	-	1	See the following pages for details	
<b>XBEY A85MN_P/ MN_P(J):</b>					
1A	0-unit (Left-hand version)	XBEB 0A85MNLP	1	See "Spare parts XBEB 0A85MNLP/MNRP"	
	0-unit (Right-hand version)	XBEB 0A85MNRP	1		
2	Idler end	XBEJ A85 S	1	See "Spare parts XBEJ A85 S"	
3	Beam section kit	-	1	See the following pages for details	
<b>XBEY A85HN_P/ HN_P(J):</b>					
1A	0-unit (Left-hand version)	XBEB 0A85HNLP	1	See "Spare parts XBEB 0A85HNLP/HNRP"	
	0-unit (Right-hand version)	XBEB 0A85HNRP	1		
2	Idler end	XBEJ A85 S	1	See "Spare parts XBEJ A85 S"	
3	Beam section kit	-	1	See the following pages for details	
<b>XBEY A85H_P/ H_P(J) with slip clutch:</b>					
1B	0-unit (Left-hand version)	XBEB 0A85HLP	1	See "Spare parts XBEB 0A85HLP/HRP"	
	0-unit (Right-hand version)	XBEB 0A85HRP	1		
2	Idler end	XBEJ A85 S	1	See "Spare parts XBEJ A85 S"	
3	Beam section kit	-	1	See the following pages for details	

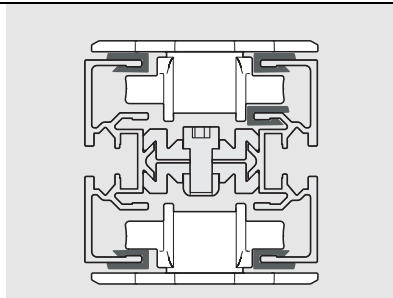
## Beam section kit for XBEY 0A85 ... type P

### No return chain



Item	Description	Part No	Qty	Comments	Recommended Spare parts
1	Beam	-	2		
2	Horizontal plain bend	-	2		
3	Spare part kit, guide rails	5111040 (One pair)	2	Left-hand version	X
	Spare part kit, guide rails	5111039 (One pair)	2	Right-hand version	X
4	Slot nut	-	2		
5	Screw	M6S M8×35 6H 8,8 FZB	2		
6	Washer	BRB 8,4×16×1,6	10		
7	Beam support bracket	-	2		
8	Washer	BRB 6.4×12×1,6	8		
9	Screw	M6S M6×14 6H 8,8 FZB	8		
10	Square nut	XLAQ 8	8		
11	Connecting strip	XLCJ 5×140	8		
12	Screw	M6S M8×14 6H 8,8 FZB	8		
13	Cover	-	2		

Special instructions apply for installation of plastic slide rail in bends. Such instructions are included with the delivery.



Cross-section of plain bend with narrow slide rails on the top and an extra slide rail in the inner part of the bend.



This page is intentionally left blank

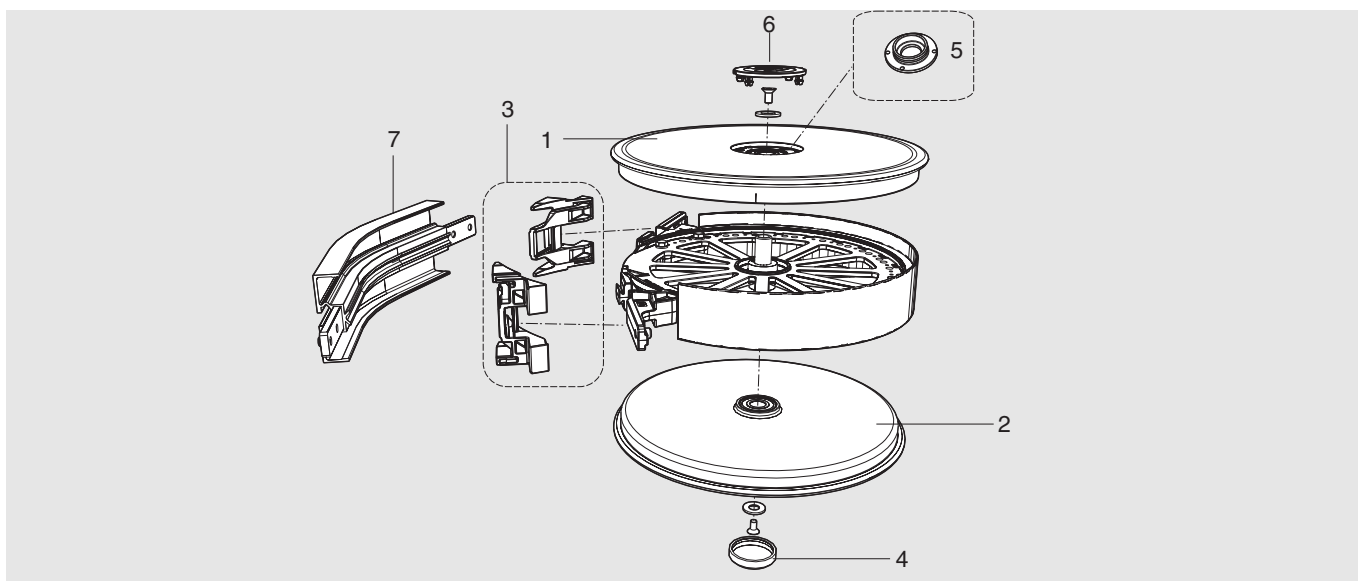


## Wheel bends XSBH-, XLBH-, XBBH-, XMBH-, XHBH-, XKBH-, XTBH-

### Revision list

Document designation	Date	Type of revision	Entered by
5392EN-1	07-12-05	Initial version	
5392EN-2	08-09-10		JE
5392EN-3	10-05-27		JE
5392EN-4	10-08-31	Added new column	CB

### Complete wheel bend



Item	Description	Part no						Recommended Spare parts	
		XS	XL type A	X85	XM type A	XH type A	XK		XT
1	Wheel disc* (upper)	3902168	5059247	5059247	5059247	5059247	3924966	5059247	
2	Wheel disc* (lower)	3902168	5059244	5059244	5059244	5059244	3924966	5059244	
3	Guides**	n.a.	5059235	5110507	5059236	5059237	n.a.	n.a.	X
4	Wheel cover	3901120	3901120	3901120	3901120	3901120	n.a.	3901120	
5	Adapter kit	n.a.	5058559	5058559	5058559	5058559	n.a.	5058559	
6	Wheel cover	5057697	5057697	5057697	5057697	5057697	n.a.	5057697	
7	Outer bend	XSBE 30R150	XLBE 30R150	XBBE 30A85R160	XMBE 30R160	XHBE 30R170	XKBE 30R200		
7	Outer bend	XSBE 45R150	XLBE 45R150	XBBE 45A85R160	XMBE 45R160	XHBE 45R170	XKBE 45R200		
7	Outer bend		XLBE 60R150		XMBE 60R160	XHBE 60R170			
7	Outer bend	XSBE 90R150	XLBE 90R150	XBBE 90A85R160	XMBE 90R160	XHBE 90R170	XKBE 90R200		
7	Outer bend	XSBE 180R150	XLBE 180R150	XBBE 180A85R160	XMBE 180R160	XHBE 180R170	XKBE 180R200		
7	Outer bend			XBBE EA85R160					
*	Including bearings								
**	One pair								

This page is intentionally left blank

# Spare parts Basic locating module XBUL 11



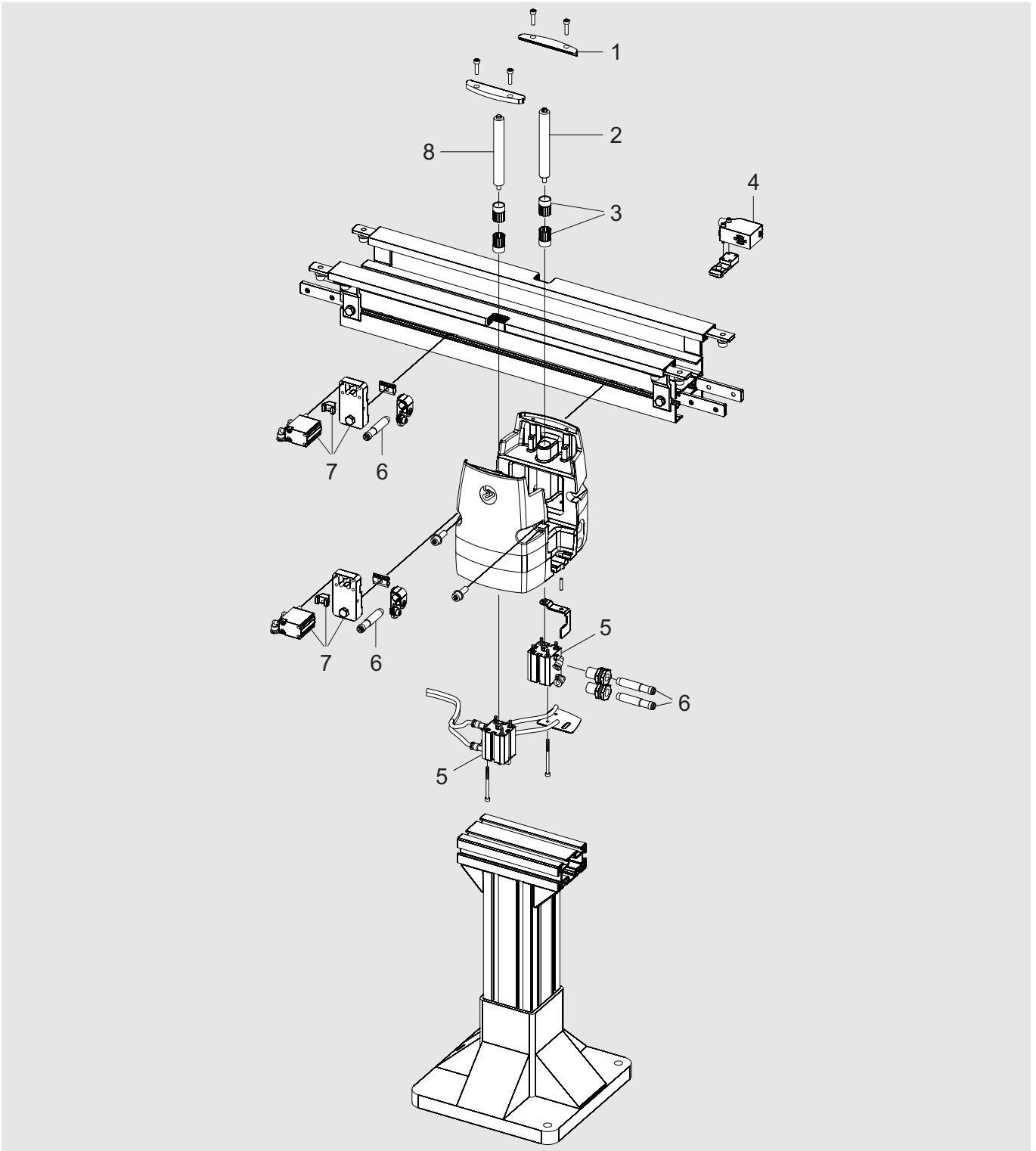
Technical information from FlexLink

5544EN-1

## Basic locating module

### Revision list

Document designation	Date	Type of revision	Entered by
5544EN-1	10-09-27	Initial version	CB



## Basic locating module

---

### XBUL 11

Item	Description	Part No	Qty	Comments	Recommended Spare parts
1	Holder	5059770	2		
2	Locating pin	5059772	1		
3	Bearing	5110079	4		
4	RFID Reader/Writer	DTA 100	1		
5	Pneumatic cylinder	5105005	2	ADN-25-10-I-P-A	X
6	Sensor, IM12-08NPS-ZC1	5058572	4		X
7	Stop	XBPD 20X10	2		X
8	Locating pin	5059773	1		

# Spare parts Tunnel locating module XBUL 11 T



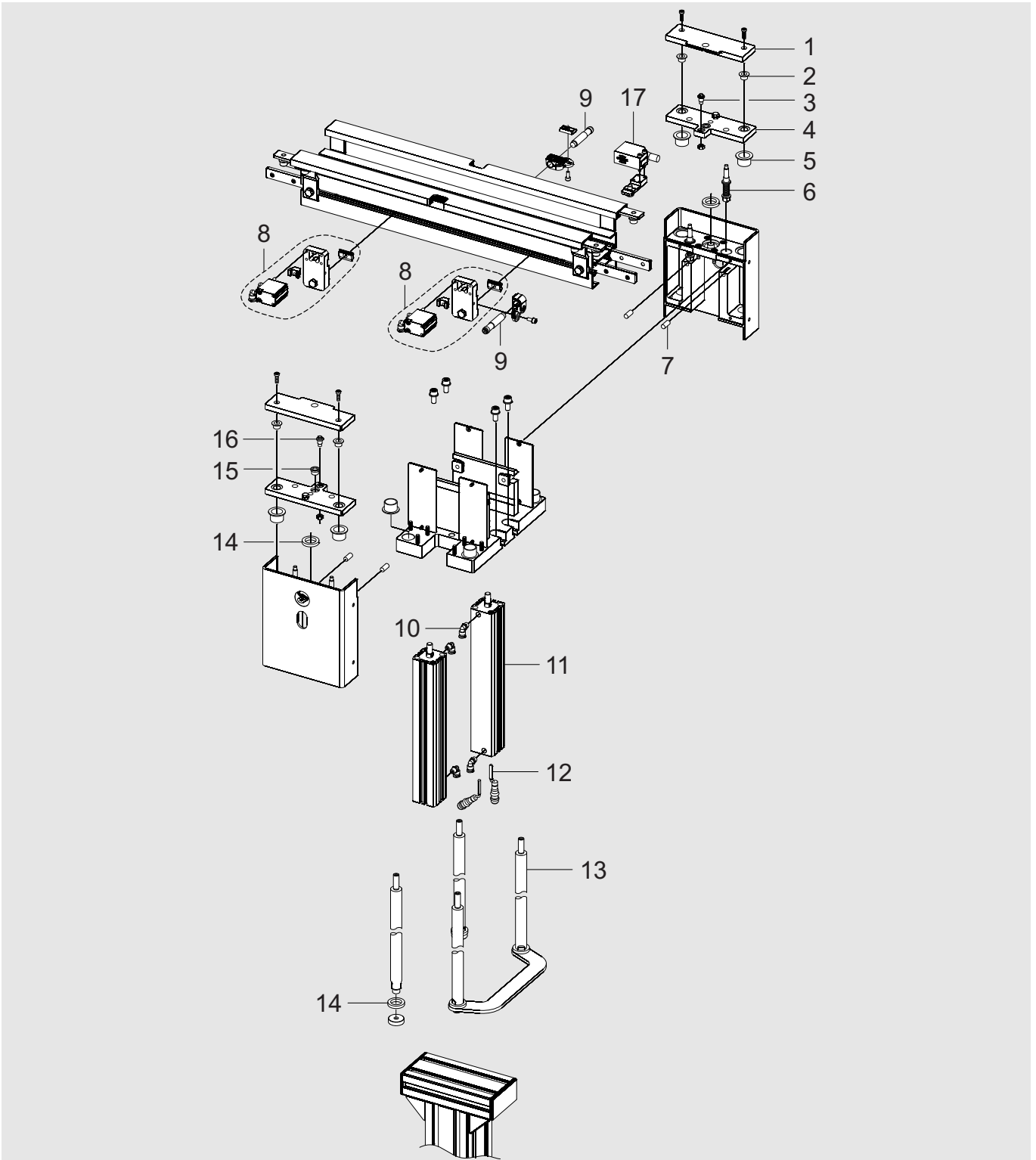
Technical information from FlexLink

5573EN-1

## Tunnel locating module

### Revision list

Document designation	Date	Type of revision	Entered by
5573EN-1	10-11-01	Initial version	CB



## Tunnel locating module

---

### XBUL 11 T

Item	Description	Part No	Qty	Comments	Recommended Spare parts
1	Plate	5110056	2		
2	Bushing	TFF 1009 (10x12x9)	4		
3	Pin	5110057	1		
4	Plate	5110055	2		
5	Bushing	TFF 2016.5 (20x23x16.5)	8		
6	Spring	SS 2387-2, 2952	4		
7	Damper	5110743	4		
8	Stop	XBPD 20X10	2		X
9	Sensor, IM12-08NPS-ZC1	5058572	2		X
10	Fitting, Pneumatic	QSML-1/8-6	4		
11	Cylinder	ADN-32-250-A-P-A	2		X
12	Sensor	MZT1	2		X
13	Shaft	5110059	4		
14	Bushing	5110060	6		
15	Bushing	DIN 172 8x12x10	2		
16	Pin	5110058	1		
17	RFID Reader/Writer	DTA 100	1		

# Spare parts Merge module XBUT 90 MR/ML



Technical information from FlexLink

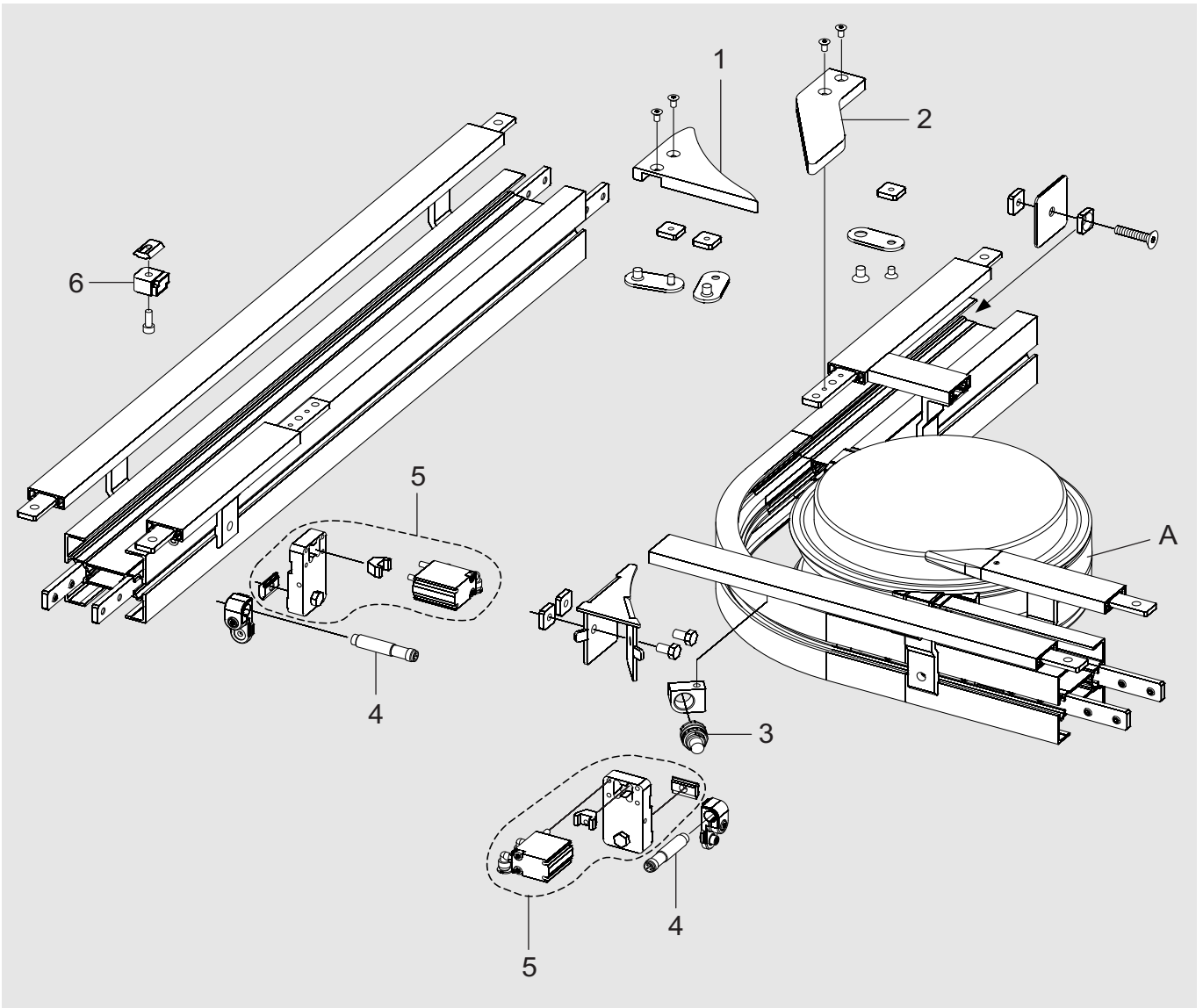
5545EN-1

## Merge module 45°/ 90°

## Divert module 45°/ 90°

### Revision list

Document designation	Date	Type of revision	Entered by
5545EN-1	10-09-27	Initial version	CB



## Merge module 45°/90° and Divert module 45°/90°

### XBUT 90 M

Item	Description	Part No	Qty	Comments	Recommended Spare parts
1	Guide R	5970525	1		X
	Guide L	5970521	1		X
2	Guide profile R	5970527	1		X
	Guide profile L	5970619	1		X
3	Sensor Optic, MHL 15-P3336	5058929	1		X
4	Sensor, IM12-08NPS-ZC1	5058572	2		X
5	Stop	XBPD 20X10	2		X
6	Reflector	5111135	1		X
A	See separate Spare parts 5392EN on Page 37	XBBH 45A85R160		Wheel bend 45°	
		XBBH 90A85R160		Wheel bend 90°	

# Spare parts Divert and merge module XBUT 45/90 C

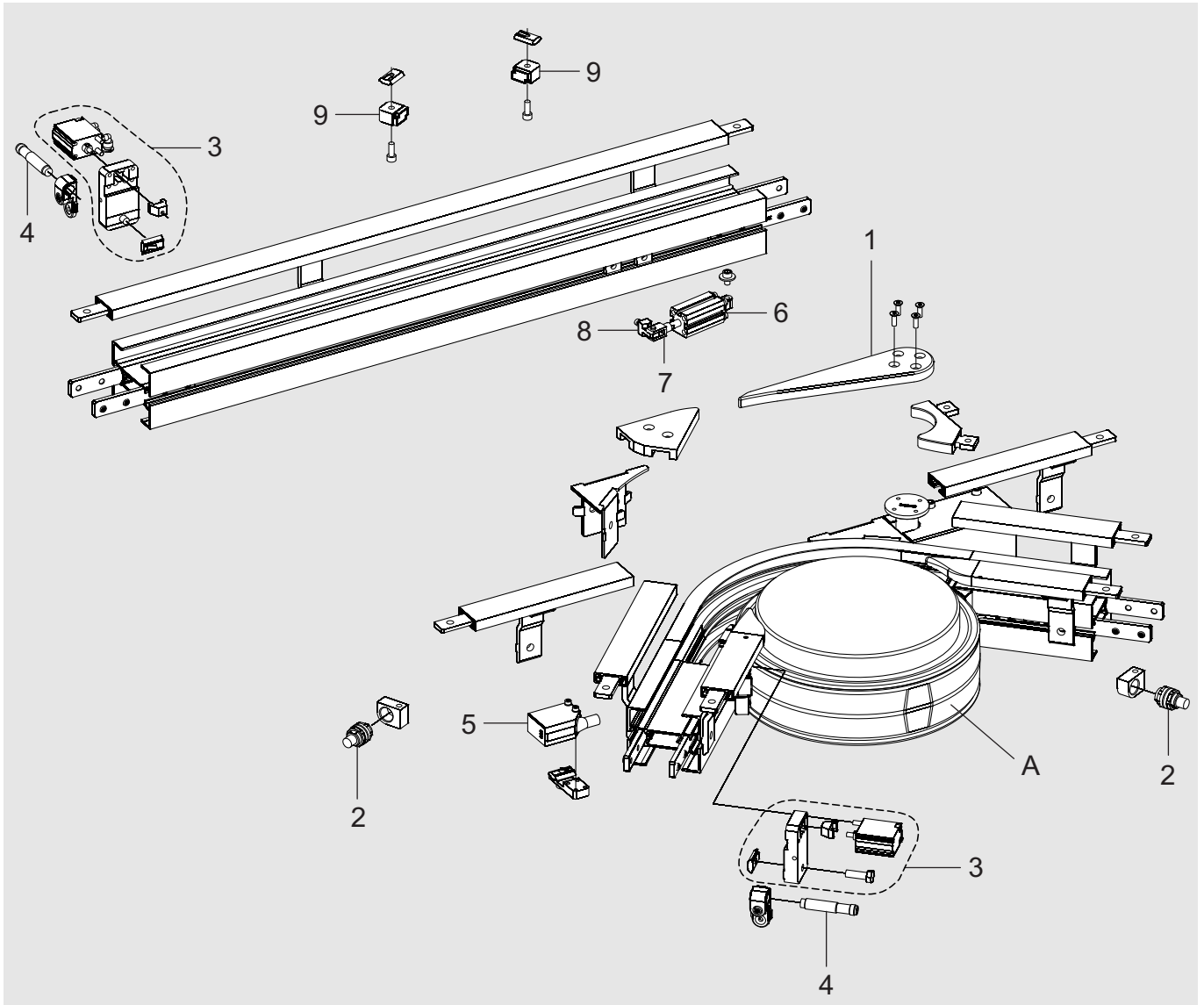
Technical information from FlexLink

5546EN-1

## Divert and merge module 45°/90°

### Revision list

Document designation	Date	Type of revision	Entered by
5546EN-1	10-09-27	Initial version	CB



## Divert and merge module 45°

### XBUT 45 C

Item	Description	Part No	Qty	Comments	Recommended Spare parts
1	Arm	5970497	1		X
2	Sensor Optic, MHL 15-P3336	5058929	2		X
3	Stop	XBPD 20X10	2		X
4	Sensor, IM12-08NPS-ZC1	5058572	2		X
5	RFID Reader/Writer	DTA 100	1		X
6	Cylinder	ADN-16-20-APA	1		X
7	Fork	SG-M6	1		X
8	Arm	5970504	1		X
9	Reflector	5111135	2		X
A	See separate Spare parts 5392EN on Page 37	XBBH 45A85R160 XBBH 90A85R160		Wheel bend 45° Wheel bend 90°	

# Spare parts Interspace divert and merge module XBUT 180 C

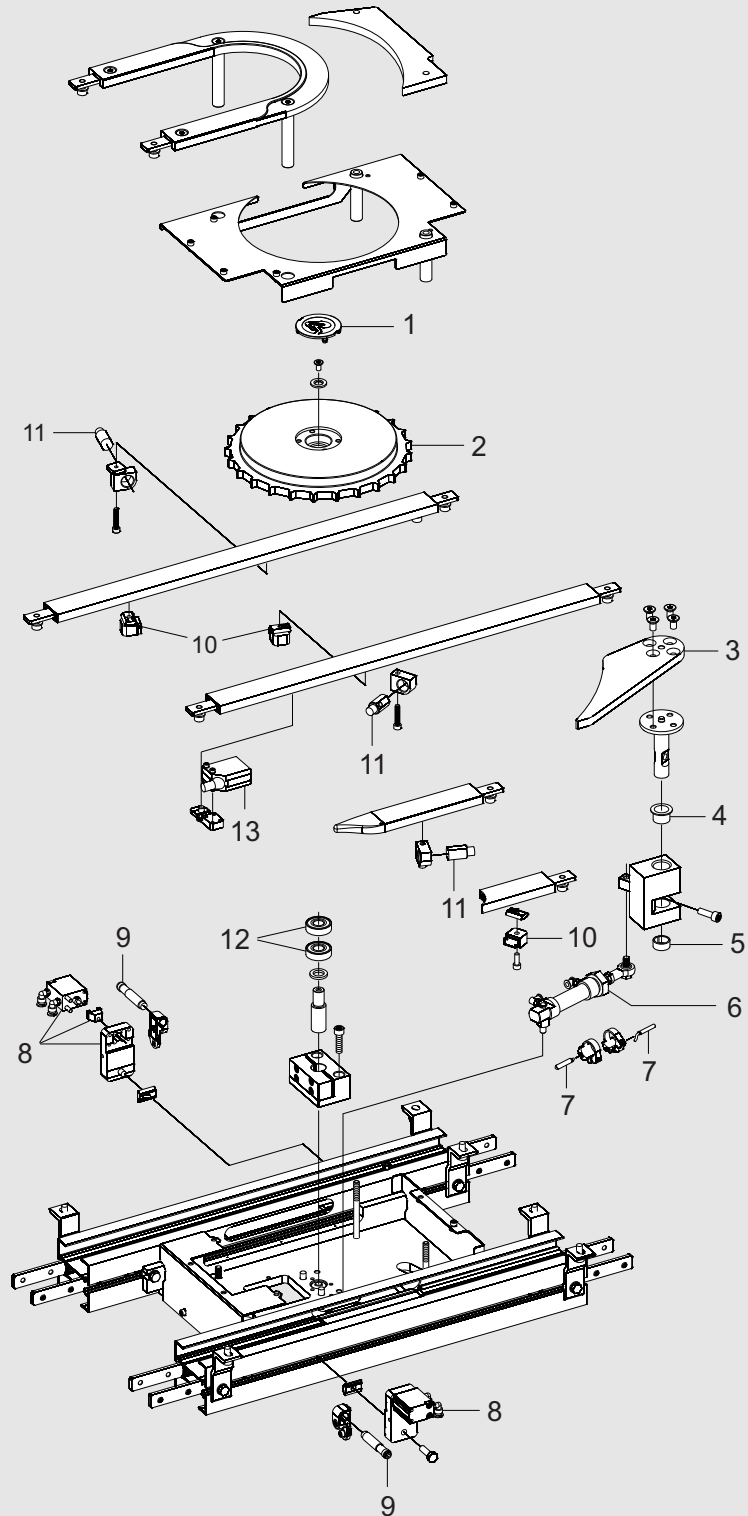
Technical information from FlexLink

5547EN-1

## Interspace divert and merge module

### Revision list

Document designation	Date	Type of revision	Entered by
5547EN-1	10-09-27	Initial version	CB



## Interspace divert and merge module

---

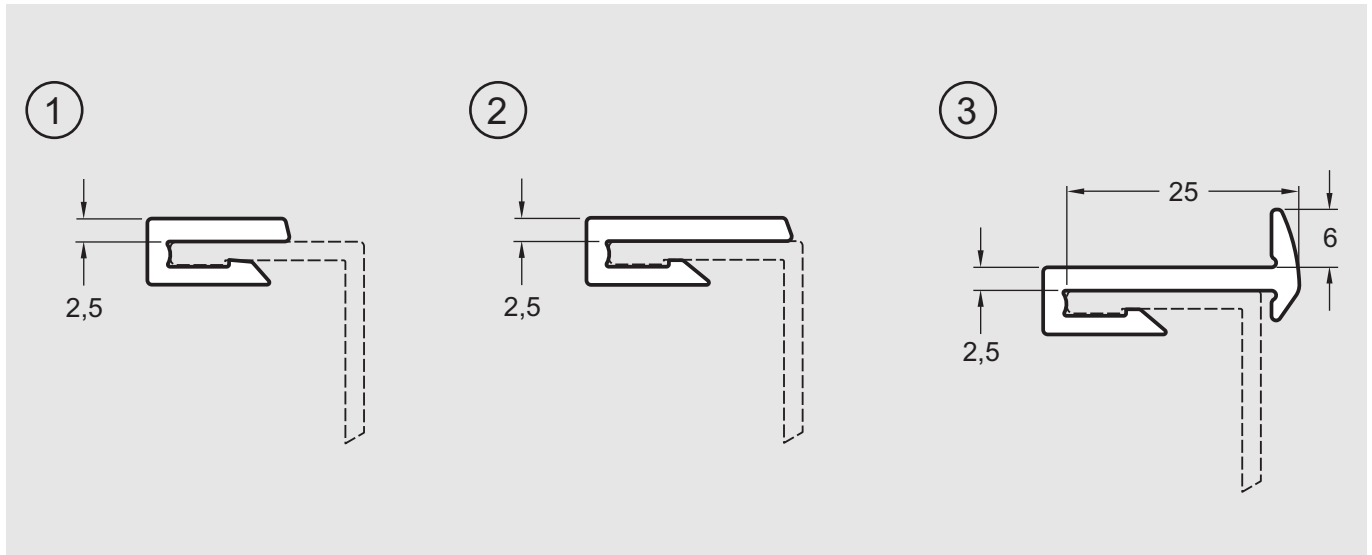
### **XBUT 180 C**

Item	Description	Part No	Qty	Comments	Recommended Spare parts
1	Cover	5057697	1		X
2	Wheel	5110748	1		X
3	Guide	5110787	1		X
4	Bushing	5110804	1		X
5	Bushing	5110107	1		X
6	Cylinder, DSNU-20-25-P-A, 19208	5058928	1		X
7	Sensor	5058571	2		X
8	Stop	XBPD 20X10	1		X
9	Sensor, IM12-08NPS-ZC1	5058572	1		X
10	Reflector	5111135	3		X
11	Sensor Optic, MHL 15-P3336	5058929	3		X
12	Bearing	5052978	2		X
13	RFID Reader/Writer	DTA 100	1		X



## Spare parts Slide rails - X85

### Slide rails – X85

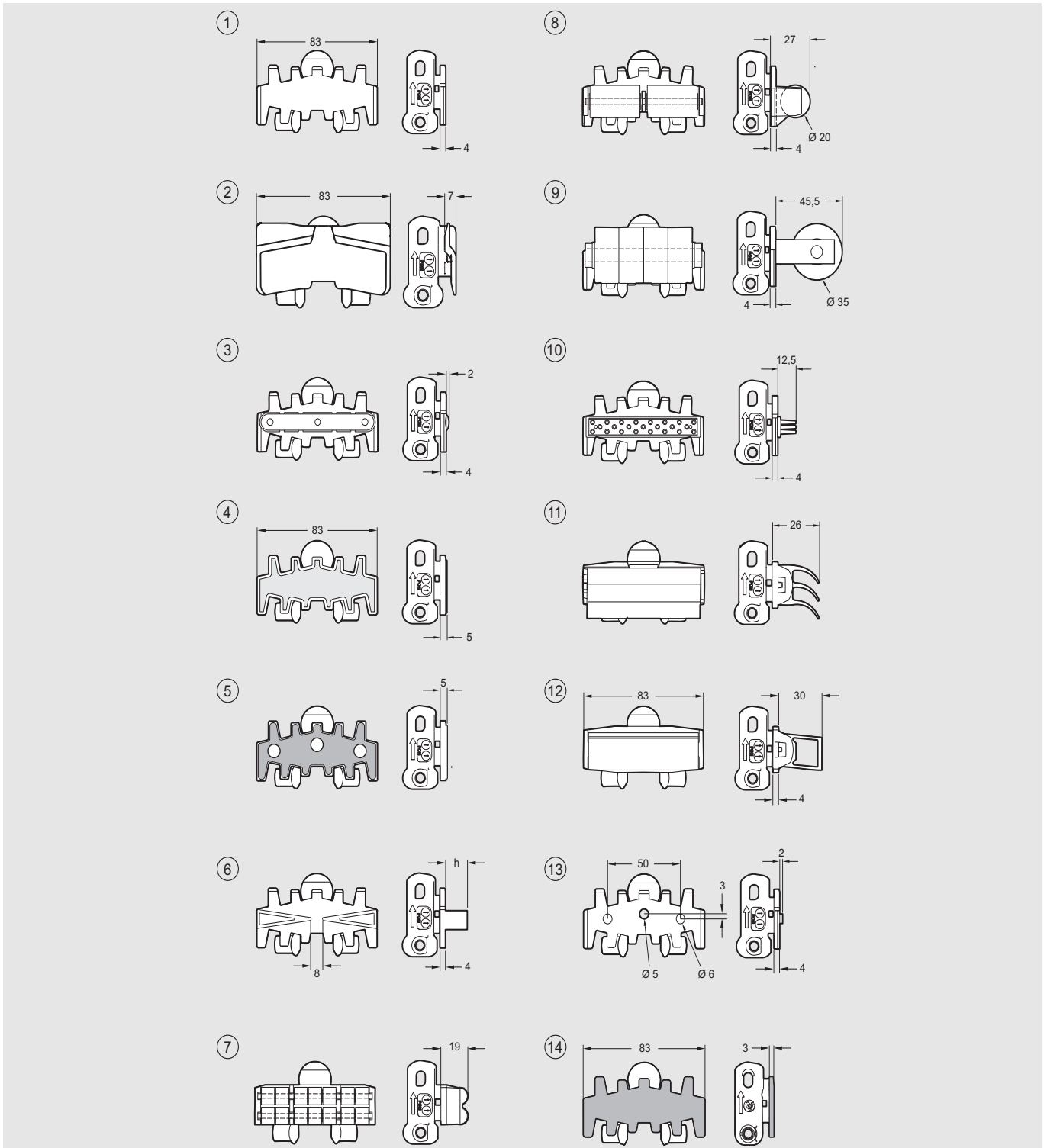


Item	Description	Part No	Qty	Comments	Recommended Spare parts
1	Plastic slide rails, narrow				X
	HDPE (Black)	XBCR 25			
	PA-PE (Grey)	XBCR 25 H			
	PVDF (Transparent white)	XBCR 25 P			
	PE-UHMW (White)	XBCR 25 U			
	PE-UHMW Conductive (Black)	XBCR 25 E			
2	Plastic slide rails, wide			The wide slide rails are not suitable for use in bends	X
	HDPE (Black)	XBCR 25 B			
	PA-PE (Grey)	XBCR 25 HB			
	PVDF (Transparent white)	XBCR 25 PB			
	PE-UHMW (White)	XBCR 25 UB			
	PE-UHMW Conductive (Black)	XBCR 25 EB			
3	Plasticslide rails, wide with guidance			The wide slide rails are not suitable for use in bends	X
	PA-PE (Grey)	XBCR 3 HA			
	PE-UHMW (Grey)	XBCR 3 UA			
	PE-UHMW Conductive (Black)	XBCR 3 EA			

This page is intentionally left blank



## Spare parts Chains - X85



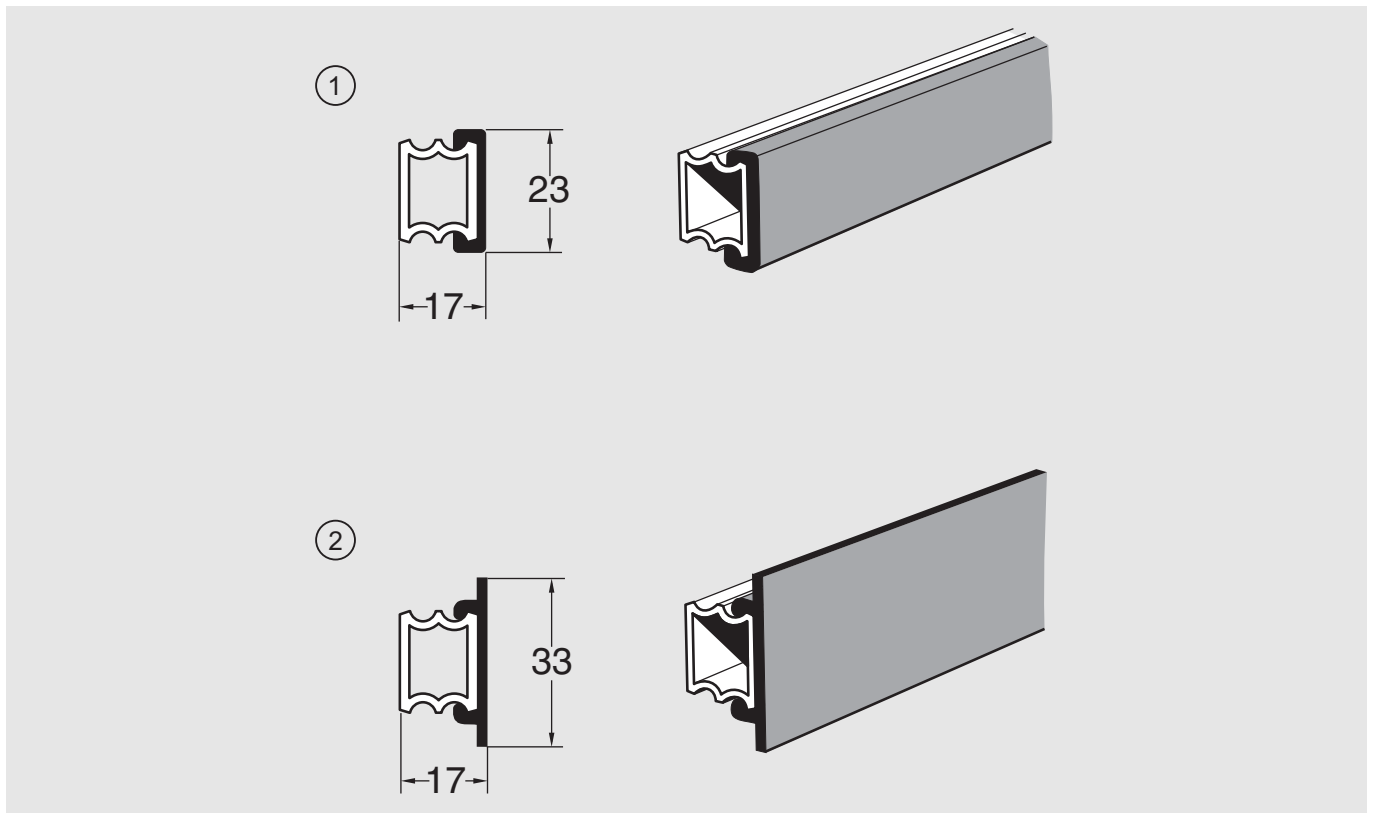
Item	Description	Part No	Qty	Comments	Recommended Spare parts (Based on previous chain in the Conveyor system)
1	Plain chain, Standard material	XBTP 5A85			X
	Conductive material	XBTP 5A85 E			
	Plain chain, Ultra low wear	XBTP 5A85 C			
	Plain link kit, Standard material	5110512		Link kit contains 10 links, 10 pivots, 10 steel pins Do not use this chain with pallets type BR or R.	
	Conductive material	5110527		Link kit contains 10 links, 10 pivots, 10 steel pins Do not use this chain with pallets type BR or R	
	Plain chain, Ultra low wear	5110533		Link kit contains 10 links, 10 pivots, 10 steel pins Do not use this chain with pallets type BR or R	
2	Closed top chain	XBTP 5A85 A			X
	Closed top link kit	5110513		Link kit contains 10 links, 10 pivots, 10 steel pins Use this chain in pallet systems with pallets type BR or R. Not suitable for other pallet types	
3	Friction top chain	XBTP 5A85 F			X
	Every 2nd link is friction top chain	XBTP 5A85 F2		Link kit contains 10 links, 10 pivots, 10 steel pins	
	Friction top link kit	5110518		Link kit contains 10 links, 10 pivots, 10 steel pins	
4	Flat friction top chain	XBTP 5A85 FA			X
	Friction top link kit	5110528		Link kit contains 10 links, 10 pivots, 10 steel pins	
5	Steel top chain	XBTP 5A85 TF			X
	Steel top link kit	5110519		Link kit contains 10 links, 10 pivots, 10 steel pins <i>Top part has steel cover for improved wear resistance</i>	
6	Cleated chain, Type A			This product is delivered with plain links between the cleats. <i>Use the online configurator to specify and order</i>	X
	h=15 mm	XBTF 5A85x15 A			
	h=30 mm	XBTF 5A85x30 A			
	Cleated link kit				
	h=15 mm	5110516		Link kit contains 10 links, 10 pivots, 10 steel pins	
	h=30 mm	5110517		Link kit contains 10 links, 10 pivots, 10 steel pins	
7	Roller top chain	XBTR 5A85			X
	Roller top link kit	5110520		Link kit contains 10 links, 10 pivots, 10 steel pins	

Item	Description	Part No	Qty	Comments	Recommended Spare parts (Based on previous chain in the Conveyor system)
8	Chain with 23 mm roller cleats	XBTF 5A85x23 R		This product is delivered with plain links between the cleats. <i>Use the online configurator to specify and order</i>	X
	Roller cleat link kit	5110521		Link kit contains 10 links, 10 pivots, 10 steel pins	
9	Chain with roller cleats	XBTF 5A85x46 R		This product is delivered with plain links between the cleats. <i>Use the online configurator to specify and order.</i> Note. This chain requires minimum one plain link between every cleated link.	X
	Roller cleat link kit	5110583		Link kit contains 1 links, 1 pivots, 1 steel pins	
10	Flexible cleat chain, Type B	XBTE 5A85 B		This product is delivered with plain links between the cleats.	X
	Flexible cleat link kit	5110522		Link kit contains 10 links, 10 pivots, 10 steel pins	
11	Flexible cleat chain, Type C	XBTE 5A85 C			X
	Flexible cleat link kit	5110363		Link kit contains 10 links, 10 pivots, 10 steel pins	
	Flexible cleat top kit	5110515		Cleat kit contains 10 flexible cleat tops	
12	Flexible cleat chain, Type D	XBTE 5A85 D			X
	Flexible cleat link assembly Type D	5110582		Link kit contains 10 links, 10 pivots, 10 steel pins	
	Flexible cleat top	5110524		Cleat kit contains 10 flexible cleat tops	
13	Universal chain	XBTF 5A85 U		This product is delivered with plain links between the universal links. <i>Use the online configurator to specify and order.</i>	X
	Universal link kit	5110526		Link kit contains 10 links, 10 pivots, 10 steel pins	
14	Steel chain, X85	5056849			X
	Steel link X85	5058301			

This page is intentionally left blank



## Spare parts Guide rail cover - X85



Item	Description	Part No	Qty	Comments	Recommended Spare parts
1	Guide rail cover for 15 mm aluminium guide rail				X
	Polyethylene, length 3 m	XLRT 3x23			
	UHMW-PE, length 3 m	XLRT 3x23 U			
2	Guide rail cover, flanged, for 15 mm aluminium guide rail				X
	Polyethylene, length 3 m, flanged	XLRT 3x33 D			

This page is intentionally left blank

# Product designations in alphanumeric order

Part no	Page	Part no	Page	Part no	Page	Part no	Page
(3904457)	10	(5057483)	14	5044316	17	5059247	37
(3904457)	17	(5057610)	29	5044316	7	5059247	37
(3904457)	3	(5058111)	12	5044322	17	5059247	37
(3904457)	7	(5058111)	14	5044935	1	5059624	17
(3904459)	17	(5059275)	7	5044936	1	5059642	17
(3904459)	3	(5059335)	7	5044937	1	5110451	12
(3904459)	7	(5059362)	29	5044938	1	5110451	14
(3904665)	2	(5059364)	29	5044939	1	5110452	12
(3904666)	2	(5059367)	29	5044940	1	5110452	14
(3904855)	2	(5059568)	10	5044948	1	5110452	20
(3904862)	2	(5059568)	16	5045637	16	5110453	29
(3921074)	31	(5059568)	31	5045637	6	5110507	37
(3924517)	31	(5059568)	6	5053981	2	5110646	23
(3925718)	10	(5059581)	10	5054000	2	5110646	27
(3925718)	6	(5059581)	6	5054003	16	5110795	10
(5043873)	10	(5059622)	31	5054003	22	5110795	3
(5043873)	20	(5059623)	10	5054003	6	5110795	7
(5043874)	10	(5059623)	3	5056817	16	5110796	10
(5043874)	12	(5059623)	7	5056817	2	5110796	3
(5043874)	14	(5059640)	31	5056817	22	5110796	7
(5043874)	20	(5059641)	10	5056817	6	5111038	20
(5043876)	17	(5059641)	3	5056820	2	5111039	34
(5043876)	17	(5059641)	7	5057039	10	5111040	34
(5043877)	7	3901120	37	5057697	37	5111174	17
(5043878)	7	3901120	37	5057697	37	5111174	31
(5044316)	31	3901120	37	5057697	37	5111176	10
(5044322)	31	3901120	37	5057697	37	5111177	17
(5044322)	7	3901120	37	5057697	37	5111177	3
(5045636)	10	3901120	37	5057697	37	5111177	7
(5056459)	6	3902168	37	5057898	14	5111196	20
(5056635)	10	3902168	37	5057899	12	5111232	1
(5056635)	12	3904431	2	5058052	12	5111548	10
(5056635)	14	3904632	2	5058052	14	5111548	20
(5056635)	20	3904633	2	5058052	20	5111549	20
(5056936)	20	3920084	16	5058559	37	5111550	29
(5057045)	10	3920084	22	5058559	37	5111551	29
(5057107)	12	3920084	6	5058559	37	5111552	31
(5057107)	14	3920088	15	5058559	37	5111553	31
(5057108)	12	3920088	5	5058559	37	5111561	12
(5057108)	14	3921258	1	5059235	37	5111561	14
(5057125)	29	3921652	16	5059236	37	5111562	14
(5057126)	29	3921652	6	5059237	37	5111563	12
(5057133)	12	3924407	1	5059244	37	5111563	14
(5057133)	14	3924438	1	5059244	37	5111564	10
(5057133)	29	3924439	1	5059244	37	5111564	6
(5057142)	12	3924440	1	5059244	37	5111565	10
(5057142)	14	3924455	1	5059244	37	5111565	12
(5057483)	12	3924966	37	5059247	37	5111565	16
		3924966	37	5059247	37	5111565	3

Part no	Page	Part no	Page
5111565	6	XBEJ A85 S	33
5111565	7	XBEJ A85 S	33
5111566	2	XBEJ A85 S	33
5111597	12	XBER	
5111597	14	0A85MNLP/MNRP	19
5111598	10	XBEW	
5111598	6	18/0A85HNP	25
5111599	2	XBEW 18/0A85HP	21
5111600	2	XCAQ 20x64 CA	23
5111617	10	XCAQ 20x64 CA	27
5111617	17	XHBE 180R170	37
5111617	3	XHBE 30R170	37
5111617	7	XHBE 45R170	37
XBBE		XHBE 60R170	37
180A85R160	37	XHBE90R170	37
XBBE 30A85R160	37	XKBE*30R200	37
XBBE 45A85R160	37	XKBE 180R200	37
XBBE 90A85R160	37	XKBE 45R200	37
XBBE EA85R160	37	XKBE 90R200 2)	37
XBCB LA85	35	XLAQ 8	20
XBEB 0A85CNLP	13	XLAQ 8	34
XBEB 0A85CNLP	33	XLAQ 8	35
XBEB 0A85CNRP	13	XLBE 180R150	37
XBEB 0A85CNRP	33	XLBE 30R150	37
XBEB 0A85HL/		XLBE 45R150	37
XBEB 0A85HLA	1	XLBE 60R150	37
XBEB 0A85HLGP	15	XLBE 90R150	37
XBEB 0A85HLGU	16	XLCJ 5x140	34
XBEB 0A85HLP	33	XLCJ 5x140	35
XBEB 0A85HLP	5	XMBE 180R160	37
XBEB 0A85HLU	2	XMBE 30R160	37
XBEB 0A85HLU	6	XMBE 45R160	37
XBEB 0A85HNLP	33	XMBE 60R160	37
XBEB 0A85HNLP	9	XMBE 90R160	37
XBEB 0A85HNRP	33	XSBE 180R150	37
XBEB 0A85HNRP	9	XSBE 30R150	37
XBEB 0A85HR/		XSBE 45R150	37
XBEB 0A85HRA	1	XSBE90R150	37
XBEB 0A85HRGP	15	XSCJ 6x160	20
XBEB 0A85HRGU	16	XSCJ 6x160	23
XBEB 0A85HRP	33	XSCJ 6x160	27
XBEB 0A85HRP	5		
XBEB 0A85HRU	2		
XBEB 0A85HRU	6		
XBEB 0A85MNLP	11		
XBEB 0A85MNLP	33		
XBEB 0A85MNRP	11		
XBEB 0A85MNRP	33		
XBEJ A85 S	33		

This page is intentionally left blank



For the latest technical documents visit [www.flexlink.com](http://www.flexlink.com) to download product catalogues, manuals and instructions. Register for a MyFlexLink account and get 24/7 access to CAD drawings, engineering tools and order online.

[www.flexlink.com](http://www.flexlink.com)

**Australia**

FlexLink Systems Pty Ltd  
Mount Waverley VIC  
☎ +61-3-9542 4400  
[info.au@flexlink.com](mailto:info.au@flexlink.com)

**Belgium**

FlexLink Systems N.V.  
Leuven  
☎ +32-(0)16-40 82 66  
[info.be@flexlink.com](mailto:info.be@flexlink.com)

**Brazil**

FlexLink Systems Ltda  
Barueri SP  
☎ +55 11 4196-3400  
[info.br@flexlink.com](mailto:info.br@flexlink.com)

**Canada**

FlexLink Systems Canada, Inc.  
Burlington, ON  
☎ +1-888-748-8677  
[info.ca@flexlink.com](mailto:info.ca@flexlink.com)

**China**

FlexLink Automation  
Shanghai  
☎ +86-(0)21-641 183 06  
[info.cn@flexlink.com](mailto:info.cn@flexlink.com)

**Czech Republic**

FlexLink Systems  
Praha  
☎ +420-721 858 123  
[info.cz@flexlink.com](mailto:info.cz@flexlink.com)

**Finland**

FlexLink Systems  
Helsinki  
☎ +358-9-788 832  
[info.fi@flexlink.com](mailto:info.fi@flexlink.com)

**France**

FlexLink Systems SAS  
Elancourt cedex  
☎ + 33-(0)1 30 68 53 50  
[info.fr@flexlink.com](mailto:info.fr@flexlink.com)

**Germany**

FlexLink Systems GmbH  
Offenbach  
☎ +49-69-83832 0  
[info.de@flexlink.com](mailto:info.de@flexlink.com)

**Hungary**

FlexLink Systems Kft.  
Budapest  
☎ +36-1-3994 295  
[info.hu@flexlink.com](mailto:info.hu@flexlink.com)

**India**

FlexLink Systems India Pvt. Ltd.  
Gurgaon  
☎ +91-124 427 8844  
[info.in@flexlink.com](mailto:info.in@flexlink.com)

**Indonesia**

PT FlexLink Systems  
Jakarta  
☎ +62 21 3904335  
[info.id@flexlink.com](mailto:info.id@flexlink.com)

**Italy**

FlexLink Systems S.p.A.  
Cascine Vica  
☎ +39-011-9518 411  
[info.it@flexlink.com](mailto:info.it@flexlink.com)

**Japan**

FlexLink Systems K.K.  
Tokyo  
☎ +81-(0)3-3297 0761  
[info.jp@flexlink.com](mailto:info.jp@flexlink.com)

**Malaysia**

FlexLink Automation Sdn Bhd  
Shah Alam  
☎ +603-7859 1889  
[info.my@flexlink.com](mailto:info.my@flexlink.com)

**The Netherlands**

FlexLink Systems B.V.  
Hoofddorp  
☎ +31-(0)23-554 31 00  
[info.nl@flexlink.com](mailto:info.nl@flexlink.com)

**Poland**

FlexLink Systems Polska Sp. z o.o.  
Sady  
☎ +48-61-654 7650  
[info.pl@flexlink.com](mailto:info.pl@flexlink.com)

**Russia**

FlexLink Systems LLC  
St. Petersburg  
☎ +7-(812)-448-32-31  
[info.ru@flexlink.com](mailto:info.ru@flexlink.com)

**Singapore**

FlexLink Systems Pte Ltd  
Singapore  
☎ +65-6890 6735  
[info.sg@flexlink.com](mailto:info.sg@flexlink.com)

**Spain**

FlexLink Systems España, S.L.  
Barcelona  
☎ +34-93-680 41 00  
[info.es@flexlink.com](mailto:info.es@flexlink.com)

**Sweden**

FlexLink Systems AB  
Göteborg  
☎ +46-(0)31-337 31 00  
[info.se@flexlink.com](mailto:info.se@flexlink.com)

**Thailand**

FlexLink Systems Pte Ltd  
Bangkok  
☎ +66-2-694 1717  
[info.th@flexlink.com](mailto:info.th@flexlink.com)

**United Kingdom**

FlexLink Systems Ltd  
Milton Keynes  
☎ +44-(0)1908-327 200  
[info.uk@flexlink.com](mailto:info.uk@flexlink.com)

**USA**

*Main office*  
FlexLink Systems, Inc.  
Allentown, PA  
☎ +1 (610) 973-8200  
[info.us@flexlink.com](mailto:info.us@flexlink.com)

*South*

FlexLink Systems, Inc.  
Greenville, SC  
☎ +1 (864) 335-0550

*West*

FlexLink Systems, Inc.  
Plano, TX  
☎ +1 (972) 312-9504

Your business partner: