



XH SPARE PARTS



CONVEYOR AND PALLET HANDLING SYSTEMS

Content

End drive unit.....	2
End drive unit, type J	5
End drive unit, direct drive	7
End drive unit, overhead motor.....	9
End drive unit, guided	11
Double drive unit (c/c 106 mm)	16
Double drive unit (c/c 150-350 mm).....	19
Intermediate drive unit	22
Catenary drive unit	26
Catenary drive unit, heavy-duty.....	30
Horizontal bend drive unit	34
Idler end unit.....	38
Complete unit XHEB # HNLP/HNRP	39
Complete wheel bend	41
Spare parts Slide rails - XH	45
Spare parts Chains - XH	47
Spare parts Guide rail cover - XH	49
Product designations in alphanumeric order.....	51

© Copyright FlexLink 2011

The contents of this publication are the copyright of the publishers and may not be reproduced (even extracts) unless permission is granted. Every care has been taken to ensure the accuracy of the information but no liability can be accepted for any errors or omissions. The right is reserved to make design modifications.

Patents

Essential parts of the FlexLink product range are protected by patents and design regulations.

Drawings are made to European standards.

1. How to read the catalogue: Open the catalogue and from the Table of content or the PDF navigation bar locate the group in which the part you want to find is present. Turn over to the concerned page number by a "click". Now find out the figure of the part you wish to order. Jot down the part number against that particular figure number from the text. In case, if you have the part number and you need the other details, the part index can be used. The part index (at the end of the catalogue) will give you the figure and page number of the part you wish to order.

2. How to order spare parts: The part number and the description of the part required should be invariably mentioned in the order as per the catalog text. The latest part number as conveyed through our service circulars should only appear on the order. In case of ordering colored components, color code of the components should be mentioned. The quantity shown against the part number is the quantity per unit for that group so that particular quantity should be multiplied by the number of sets required.

3. Abbreviations: The following abbreviations are used in this catalog:

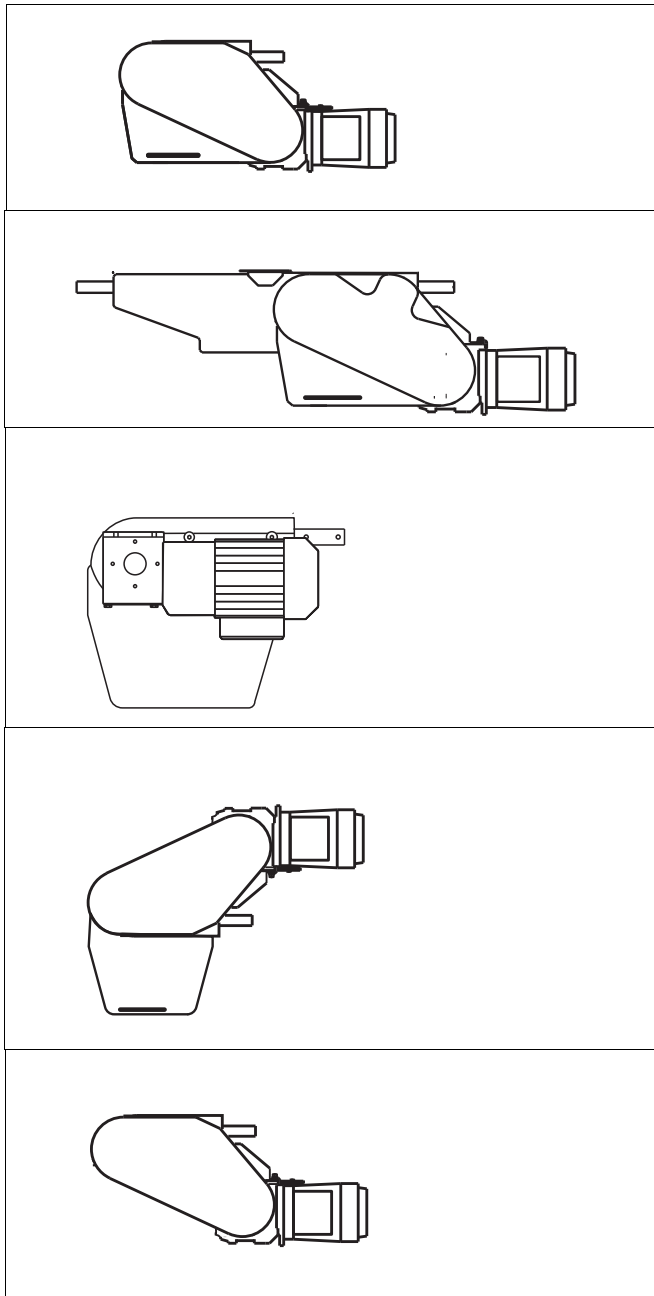
assly.	Assembly
V	Volts
N.I.	Not illustrated
W	Watt
Comp.	Complete
Fr	Front
Std.	Standard
L	Length
A/t.	Alternate
Rr	Rear
L.H.	Left hand
R.H.	Right hand
AR	As required
<i>(Part number)</i> Part number presented in "parantheses" and in Italic character style	Parts are included in a Spare parts kit.
*)	These items can only be purchased as part of a kit and when an item has an * the corresponding item always is placed between brackets (..) see above.
Recomended Spare part	Parts which are usually kept in stock and have short turnaround (See item 4)

4. Recomendated Spare parts:

Several items of the complete spare parts overview are earmarked as recommended spare parts. FlexLink advises its customers to purchase and stock these specific items for replacement in case of failure of the original item. The recommended spares are limited to only these items for which the cost of buying is in a fair relationship to the risk (i.e. probability * impact) of sudden failure. It merely consists of wear parts and some electrical and pneumatic components.

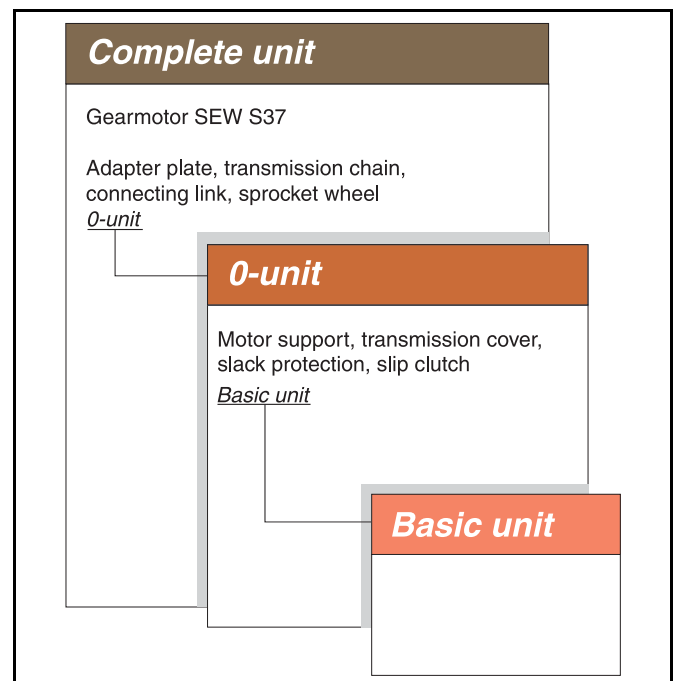


End drive unit - XH



Revision list

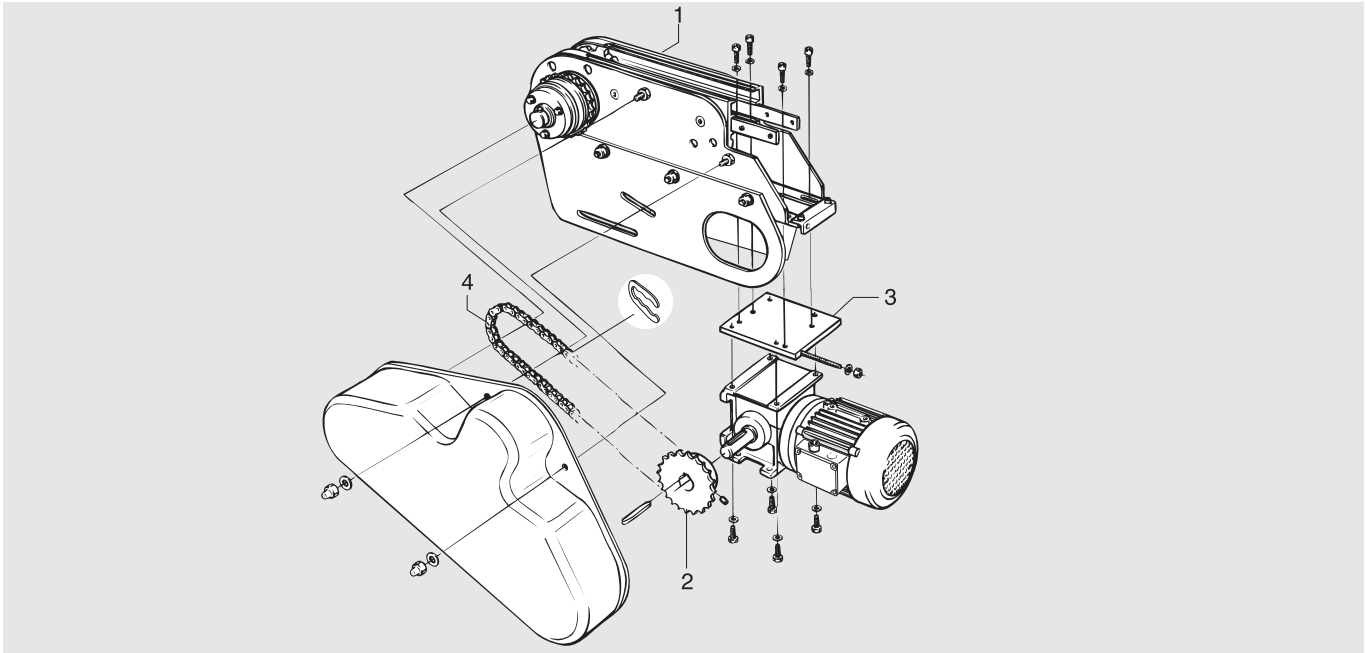
Document designation	Date	Type of revision	Entered by
XH001-E1	98-10-14	New version	Enator Inforum
XH001-E3	10-07-06	VP=>FM8 Added new column	JE



End drive unit

Complete unit – XHEB _HL/HR/HLA/HRA

For SEW S37 gearmotor



Item	Description	Part No	Qty	Comments	Recommended Spare parts
1	0-unit (left-hand version)	XHEB 0 HL/HLA	1	See next page for details	
	0-unit (right-hand version)	XHEB 0 HR/HRA	1	See next page for details	
	Motor alternative, see Drive unit guide 5014				
2	Sprocket wheel 1/2" including grub screw		1	See table below	X
3	Adapter plate including bolts and washers	3924197	1	For SEW S37 gearmotor	
	Adapter plate	3924455	1	Blind adapter plate	
4	Transmission chain 1/2" including connecting link	3921638	1	ISO/R- 1967- 08B- 1 (ISO)	X
	Transmission chain 1/2" including connecting link	5044948	1	ISO/R- 1967- 08A- 1 (ANSI)	X

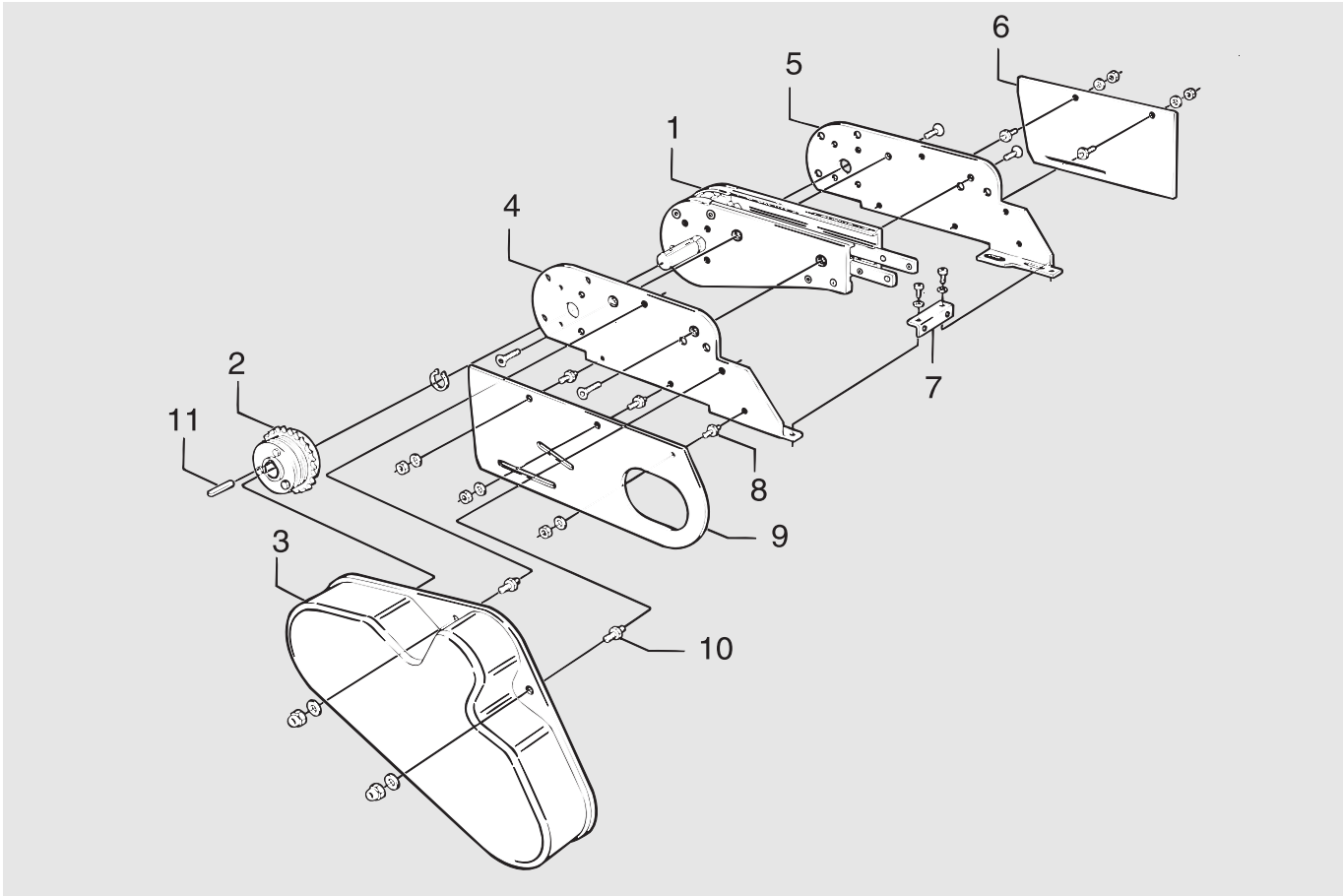
Important

Items 2-4 must be ordered separately when ordering a 0-unit (item 1). The sprocket wheel (item 2) should be specified in accordance with the following table:

Sprocket wheel 1/2"	Part No (SEW)
z ₁ =19	3924438
z ₁ =21	3924439
z ₁ =23	3924440
z ₁ =25	3921258
z ₁ =15 ANSI	5044935
z ₁ =17 ANSI	5044936
z ₁ =19 ANSI	5044937
z ₁ =21 ANSI	5044938
z ₁ =23 ANSI	5044939
z ₁ =25 ANSI	5044940

End drive unit

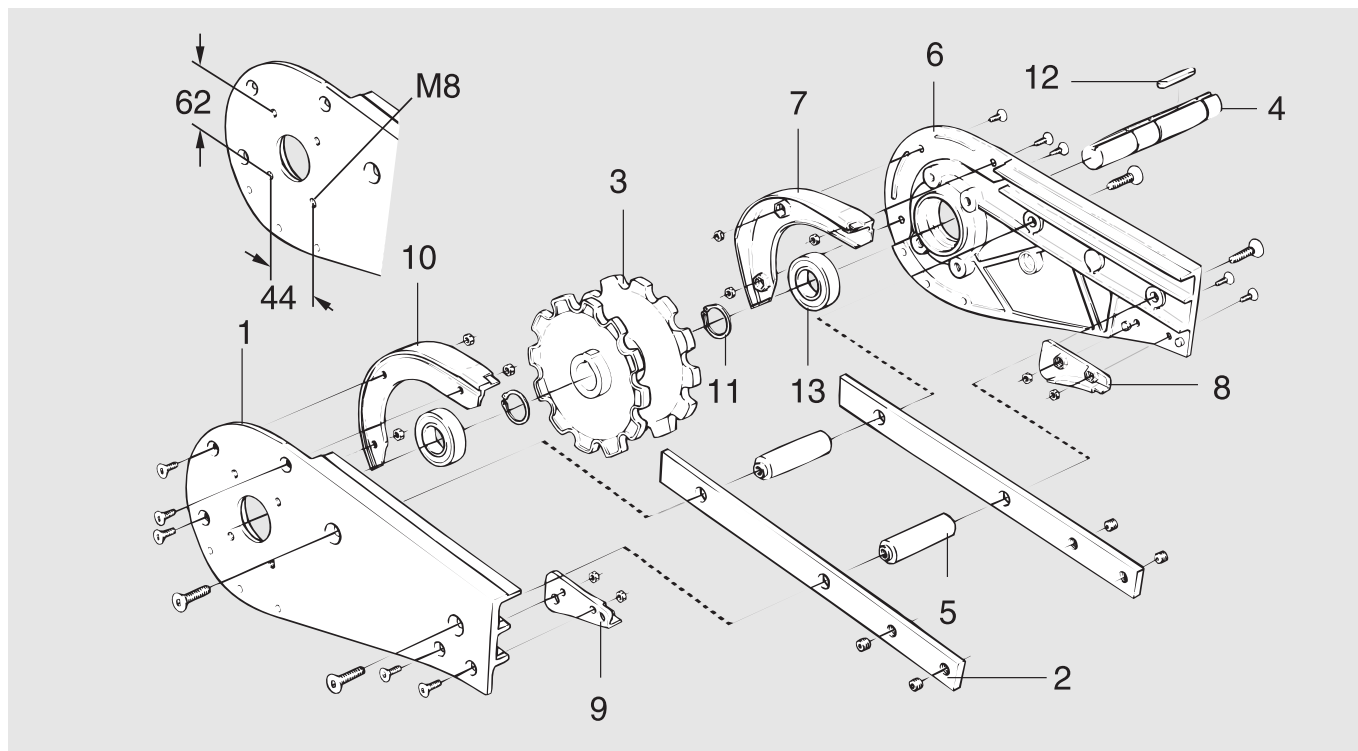
0-unit – XHEB 0 HL/HR/HLA/HRA



Item	Description	Part No	Qty	Comments	Recommended Spare parts
1	Basic unit (left-hand version)	XHEB 0 HLU	1	See next page for details	
	Basic unit (right-hand version)	XHEB 0 HRU	1	See next page for details	
2	Slip clutch Ø25 mm	5053981	1	ISO	
	-Slip clutch, Spare parts kit	5056817	1	ISO, incl. cup spring, ball, chain wheel.	X
	Slip clutch Ø25 mm	5054000	1	ANSI	
	-Slip clutch, Spare parts kit	5056820	1	ANSI, incl. cup spring, ball, chain wheel.	X
3	Transmission cover	3904431	1		
4	Motor bracket L	3904527			
5	Motor bracket R	3904528			
6*	Slack protection R	(3904665)	1	See kit below	
7	Adjusting block	3924287			
8*	Screw	(3904862)	5	See kit below	
9*	Slack protection L	(3904666)	1	See kit below	
10*	Screw	(3904855)	2	See kit below	
11	Thin parallel key	8x7-25	1	DIN 6885A h9	
*) 6+9	Slack protection kit	5111566	1	LH+RH	
*) 8	Distance screw kit	5111600	1	Kit contains 10 pcs	
*) 10	Distance screw kit	5111599	1	Kit contains 10 pcs	

End drive unit

Basic unit – XHEB 0 HLU/HRU

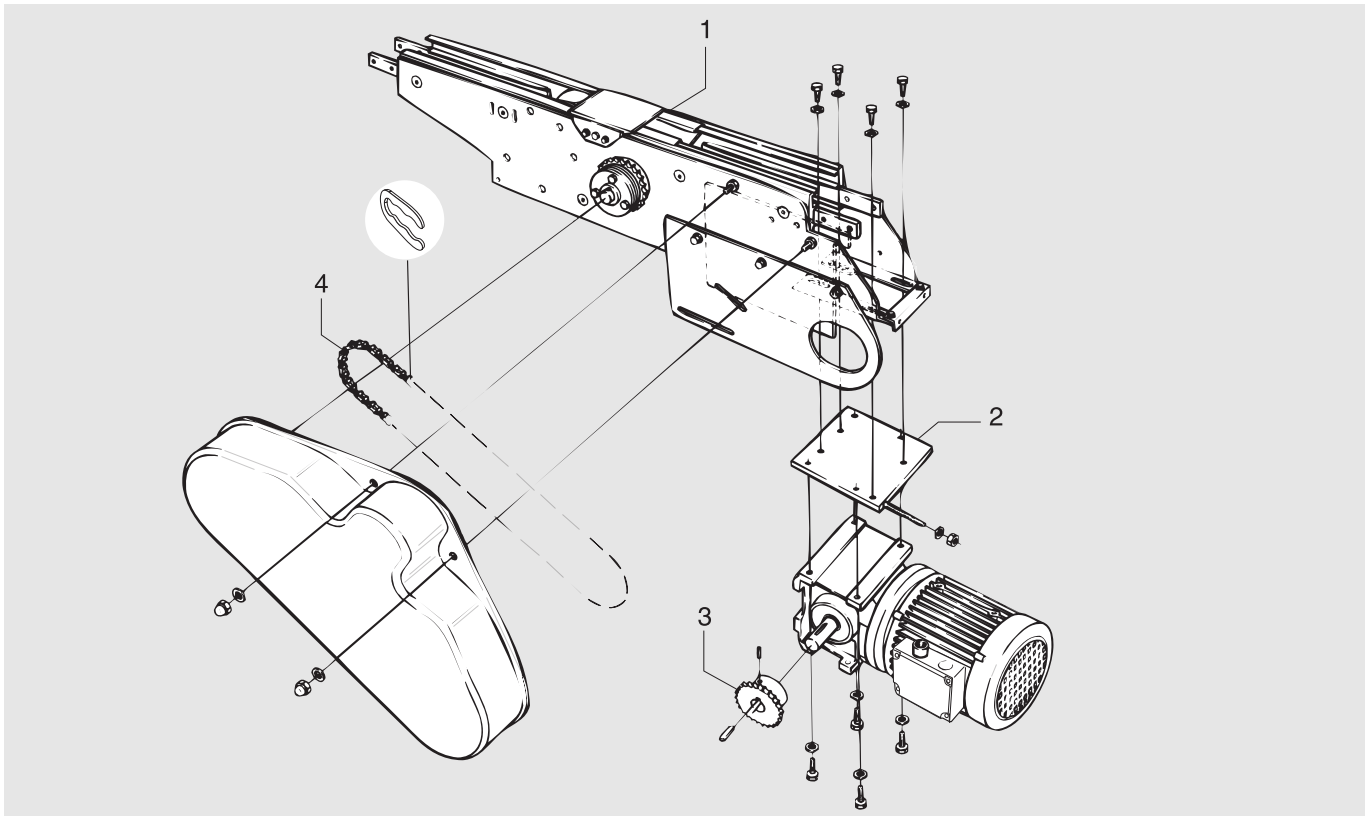


Item	Description	Part No	Qty	Comments	Recommended Spare parts
1*	Side plate L	(3904746)	1	See kit 5111628 below	
2	Connecting strip	3921123	2		
3*	Drive wheel	5111627	1	(3904299)	X
4*	Drive shaft	(3904403)	1	See kit 5111632 below	
5	Spacer	3904140	2		
6*	Side plate R	(3904234)	1	See kit 5111628 below	
7*	Steering guide R	(3904312)	1	See kit 5111629 below	
8*	Guide R	(3904313)	1	See kit 5111622 below	
9*	Guide L	(3904744)	1	See kit 5111622 below	
10*	Steering guide L	(3904745)	1	See kit 5111629 below	
11*	Reating ring	(SgA 25)	3	See kit 5111632 below	
12*	Thin parallel key	(8x7–63)	1	See kit 5111632 below	
13*	Bearing	(6205 2RS1/C3)	2	See kit 5111632 below	
1+6	Spare parts kit, Side plate	5111628			
3+4+11+ 12+13	Spare parts kit, Wheel	5111632			X
7+10	Spare parts kit, Steering guide	5111629		LH+RH	X
8+9	Spare parts kit, Guide	5111622		LH+RH	X

End drive unit, type J

Complete unit – XHEB_HLJ/HRJ/HLAJ/HRAJ

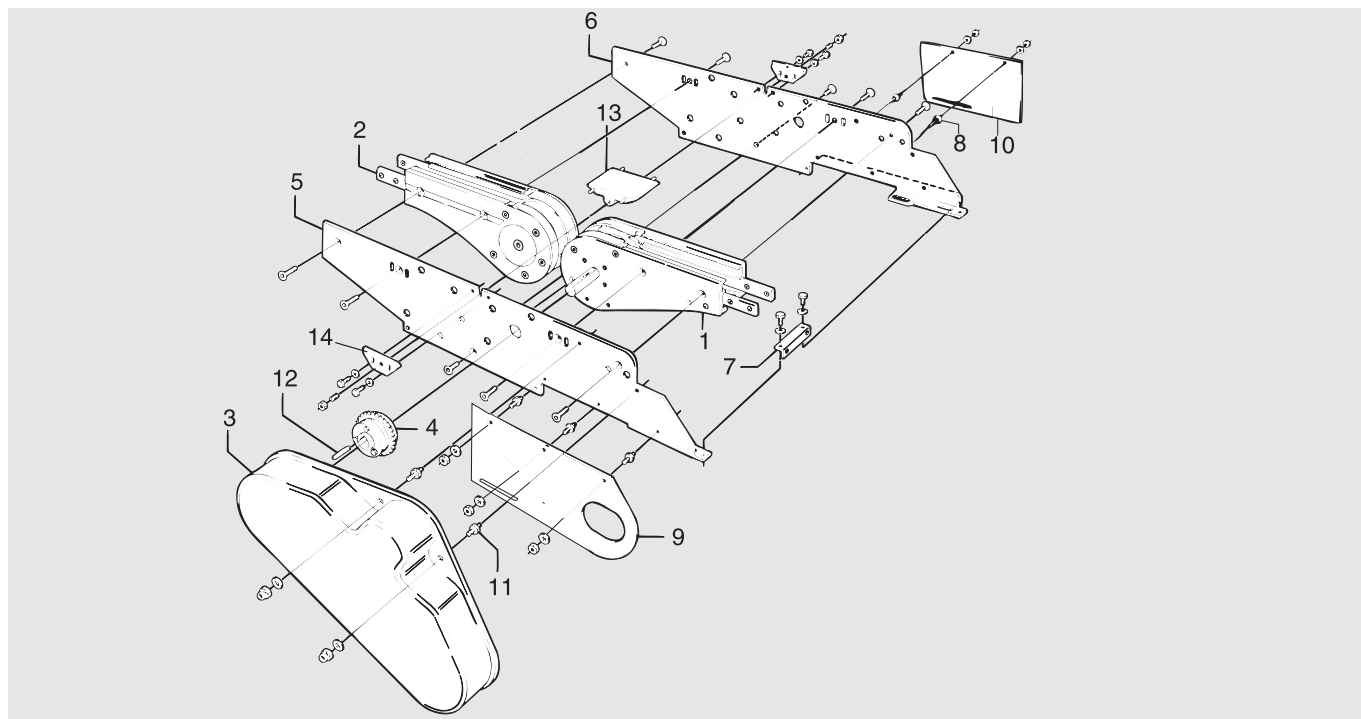
For SEW S37 gearmotor



Item	Description	Part No	Qty	Comments	Recommended Spare parts
1	0-unit (left-hand version)	XHEB 0 HLJ/HLAJ	1	See next page for details	
	0-unit (right-hand version)	XHEB 0 HRJ/HRAJ	1	See next page for details	
	Motor alternative, see Drive unit guide 5014				
2	Sprocket wheel 1/2" including grub screw		1	See page 2	X
3	Adapter plate including bolts and washers		1	See page 2	
	Adapter plate		1	See page 2	
4	Transmission chain 1/2" including connecting link		1	See page 2	X
	Transmission chain 1/2" including connecting link		1	See page 2	X

End drive unit

0-unit – XHEB 0 HLJ/HRJ/HLAJ/HRAJ

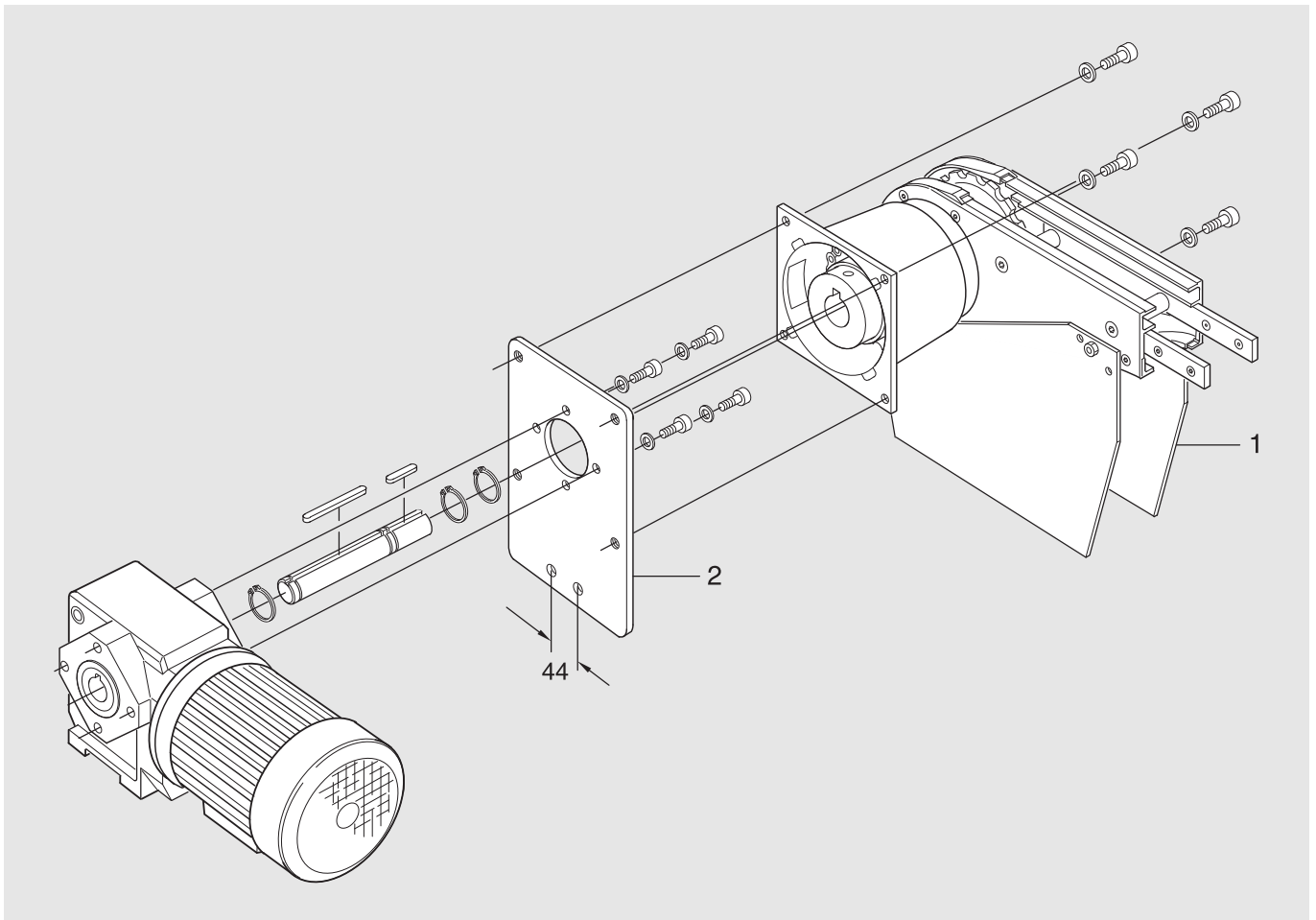


Item	Description	Part No	Qty	Comments	Recommended Spare parts
1	Basic unit (left-hand version)	XHEB 0 HLU	1	See next page 4 for details	
	Basic unit (right-hand version)	XHEB 0 HRU	1	See next page 4 for details	
2	Idler unit	XHEJ 325	1		
3	Transmission cover	3904431	1		
4	Slip clutch $\varnothing 25$ mm	5053981	1	ISO	
	-Slip clutch, Spare parts kit	5056817	1	ISO, incl. cup spring, ball, chain wheel.	X
	Slip clutch $\varnothing 25$ mm	5054000	1	ANSI	
	-Slip clutch, Spare parts kit	5056820	1	ANSI, incl. cup spring, ball, chain wheel.	X
5	Motor bracket L	3921463	1		
6	Motor bracket R	3921464	1		
7	Adjusting block	3924287			
8*	Screw	(3904862)	5	See kit below	
9*	Slack protection L	(3904666)	1	See kit below	
9*	Slack protection L	(3904666)	1	See kit below	
10*	Slack protection R	(3904665)	1	See kit below	
11*	Screw	(3904855)	2	See kit below	
12	Thin parallel key	8x7-25	1	DIN 6885A h9	
13	Bridge	3905610	1		
14	Adjustment plate	3905278	2		
*) 9+10	Slack protection kit	5111566	1	LH+RH	
*) 8	Distance screw kit	5111600	1	Kit contains 10 pcs	
*) 10	Distance screw kit	5111599	1	Kit contains 10 pcs	

End drive unit, direct drive

Complete unit – XHEB HLP/HRP

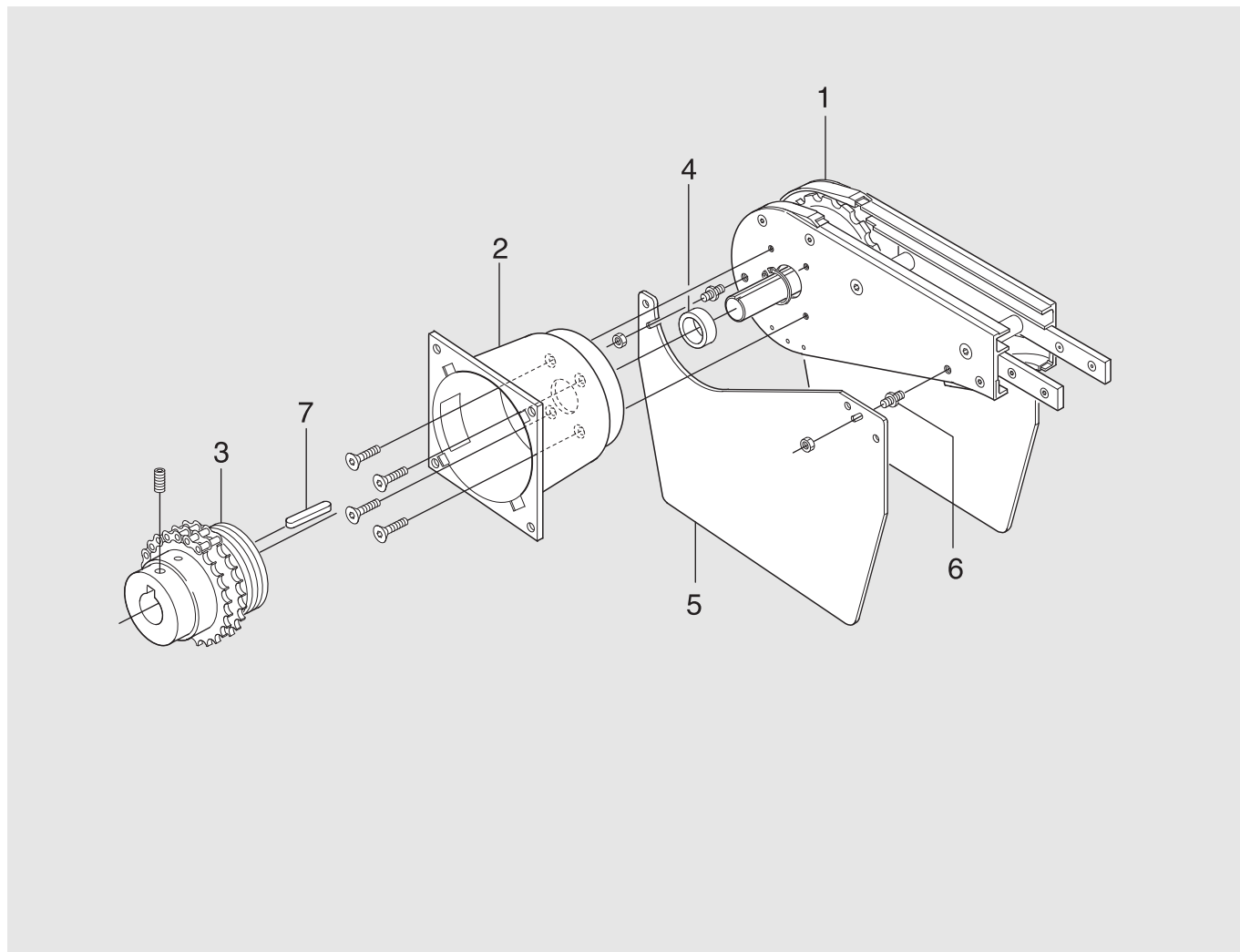
For SEW SA 37 gearmotor



Item	Description	Part No	Qty	Comments	Recommended Spare parts
1	0-unit (left-hand version)	XHEB 0 HLP/HLAP	1	See next page for details	
	0-unit (right-hand version)	XHEB 0 HRP/HRAP	1	See next page for details	
	Motor, see Drive unit guide 5014				
2	Adapter plate including bolts, washers and shaft	3920088	1	SEW SA37 gearmotor	

End drive unit, direct drive

0-unit – XHEB 0 HLP/HRP/HLAP/HRAP

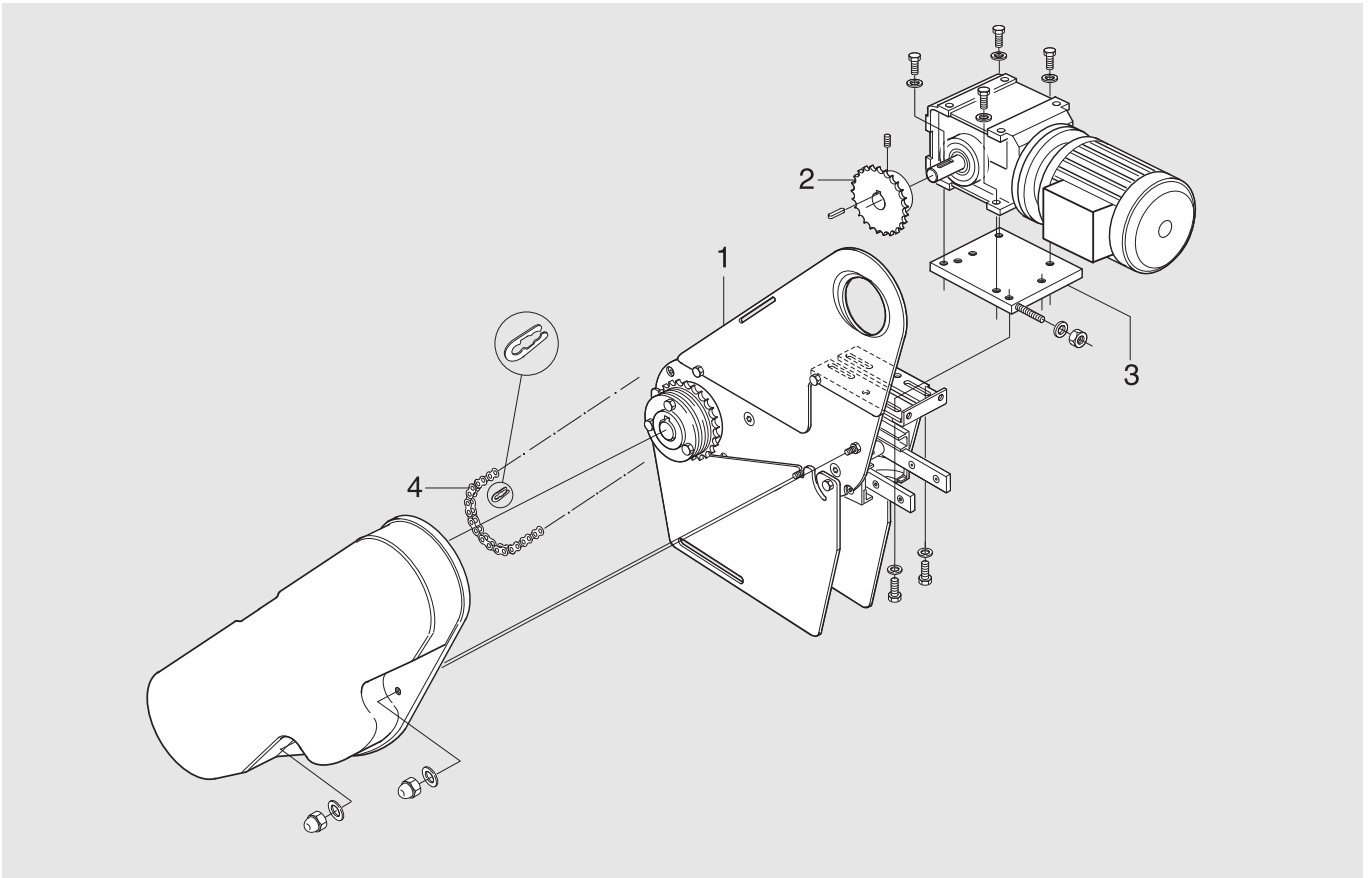


Item	Description	Part No	Qty	Comments	Recommended Spare parts
1	Basic unit (left-hand version)	XHEB 0 HLU	1	See page 4 for details	
	Basic unit (right-hand version)	XHEB 0 HRU	1	See page 4 for details	
2	Flange	3920084	1		
3	Slip clutch $\varnothing 20\text{--}\varnothing 25$ mm	5054003	1		X
4	Distance ring	3921652	1		
5*	Slack protection	(3925673)	2	See kit below	
6*	Screw	(3925718)	4	See kit below	
7	Thin parallel key	8x7–40	1	DIN 6885 A h9	
*) 5	Slack protection kit	5111581	1	LH+RH	
*) 6	Distance screw kit	5111598	1	Kit contains 10 pcs	

End drive unit, overhead motor

Complete unit – XHEH _HL/HR/HLA/HRA

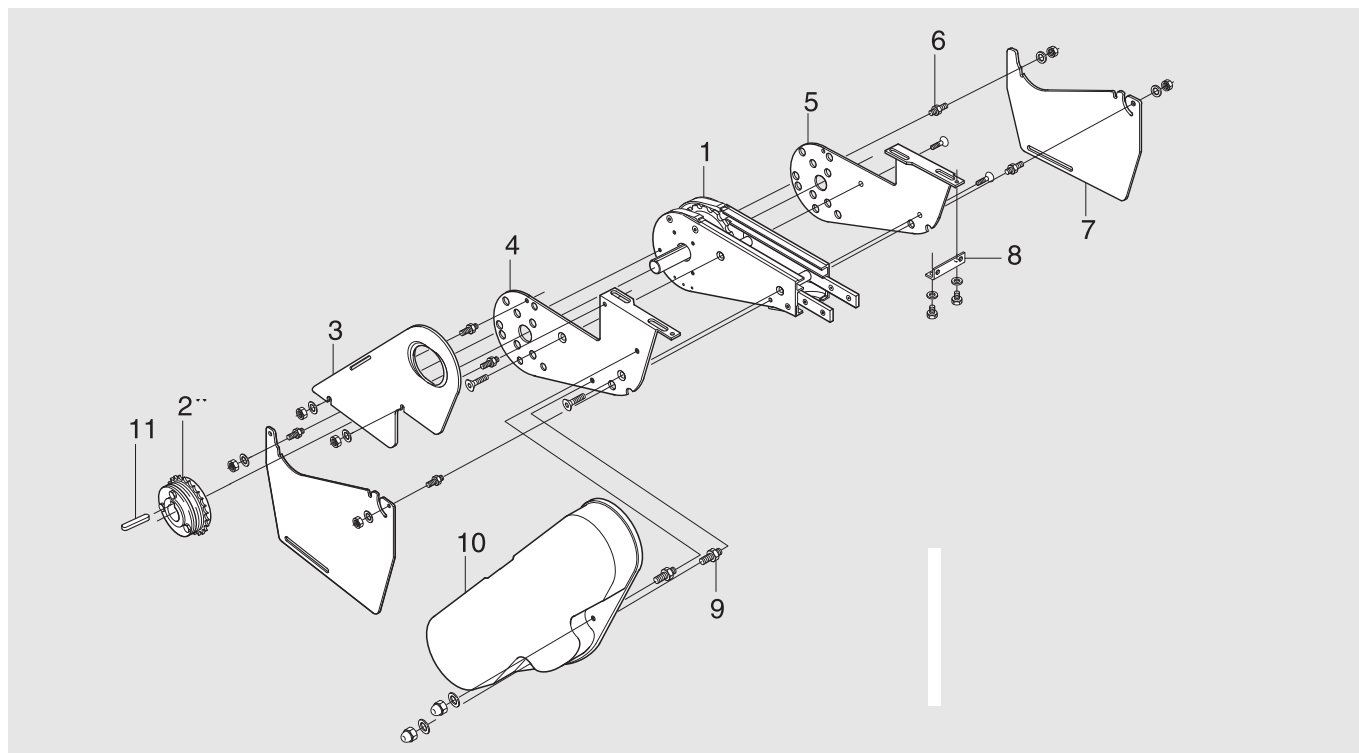
For SEW S37 gearmotor



Item	Description	Part No	Qty	Comments	Recommended Spare parts
1	0-unit (left-hand version)	XHEH 0 HL/HLA	1	See next page for details	
	0-unit (right-hand version)	XHEH 0 HR/HRA	1	See next page for details	
	Motor , see Drive unit guide 5014				
2	Sprocket wheel 1/2" including grub screw	See page 2	1		X
3	Adapter plate including bolts and washers	3924197	1	For SEW S37 gearmotor	
	Adapter plate	3924455	1	Blind adapter plate	
4	Transmission chain 1/2" including connecting link	See page 2	1		X
	Transmission chain 1/2" including connecting link	See page 2	1		X

End drive unit, overhead motor

0-unit – XHEH 0 HL/HR/HLA/HRA

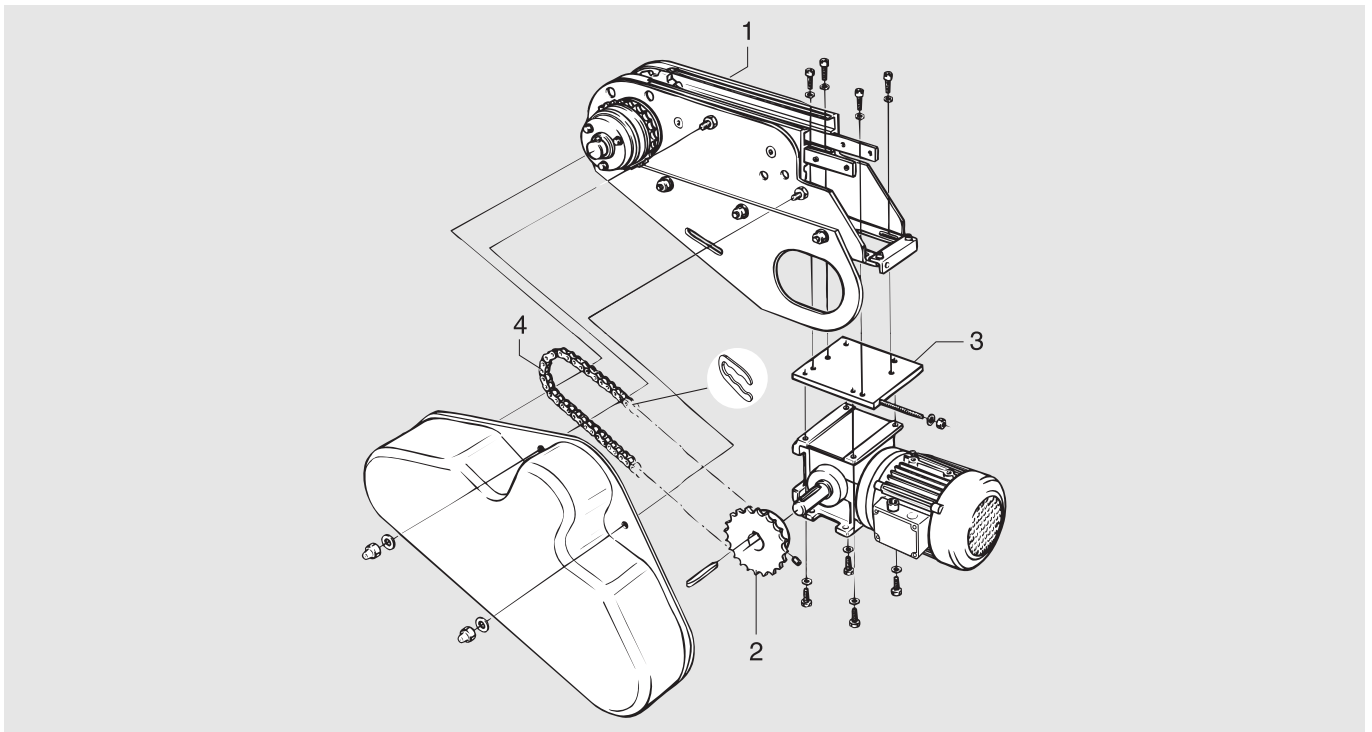


Item	Description	Part No	Qty	Comments	Recommended Spare parts
1	Basic unit (left-hand version)	XHEB 0 HLU	1	See page 4 for details	
	Basic unit (right-hand version)	XHEB 0 HRU	1	See page 4 for details	
2	Slip clutch Ø25 mm	5053981	1	ISO	
	-Slip clutch, Spare parts kit	5056817	1	ISO, incl. cup spring, ball, chain wheel.	X
	Slip clutch Ø25 mm	5054000	1	ANSI	
	-Slip clutch, Spare parts kit	5056820	1	ANSI, incl. cup spring, ball, chain wheel.	X
3	Safety guard	3920751	1		
4	Motor bracket L	3920903	1		
5	Motor bracket R	3920904	1		
6*	Screw	(3904862)	6	See kit below	
7	Slack protection	3926375	2		
8	Adjusting block	3924287	1		
9*	Screw	(3904855)	2	See kit below	
10	Transmission cover	3926374/ 3927191	1	Need to be adjusted: 3926374 Right 3927191 Left	
11	Thin parallel key	8x7-25	1	DIN 6885A h9	
*) 6	Distance screw kit	5111600	1	Kit contains 10 pcs	
*) 9	Distance screw kit	5111599	1	Kit contains 10pcs	

End drive unit, guided

Complete unit – XHEB _HLG/HRG/HLAG/HRAG

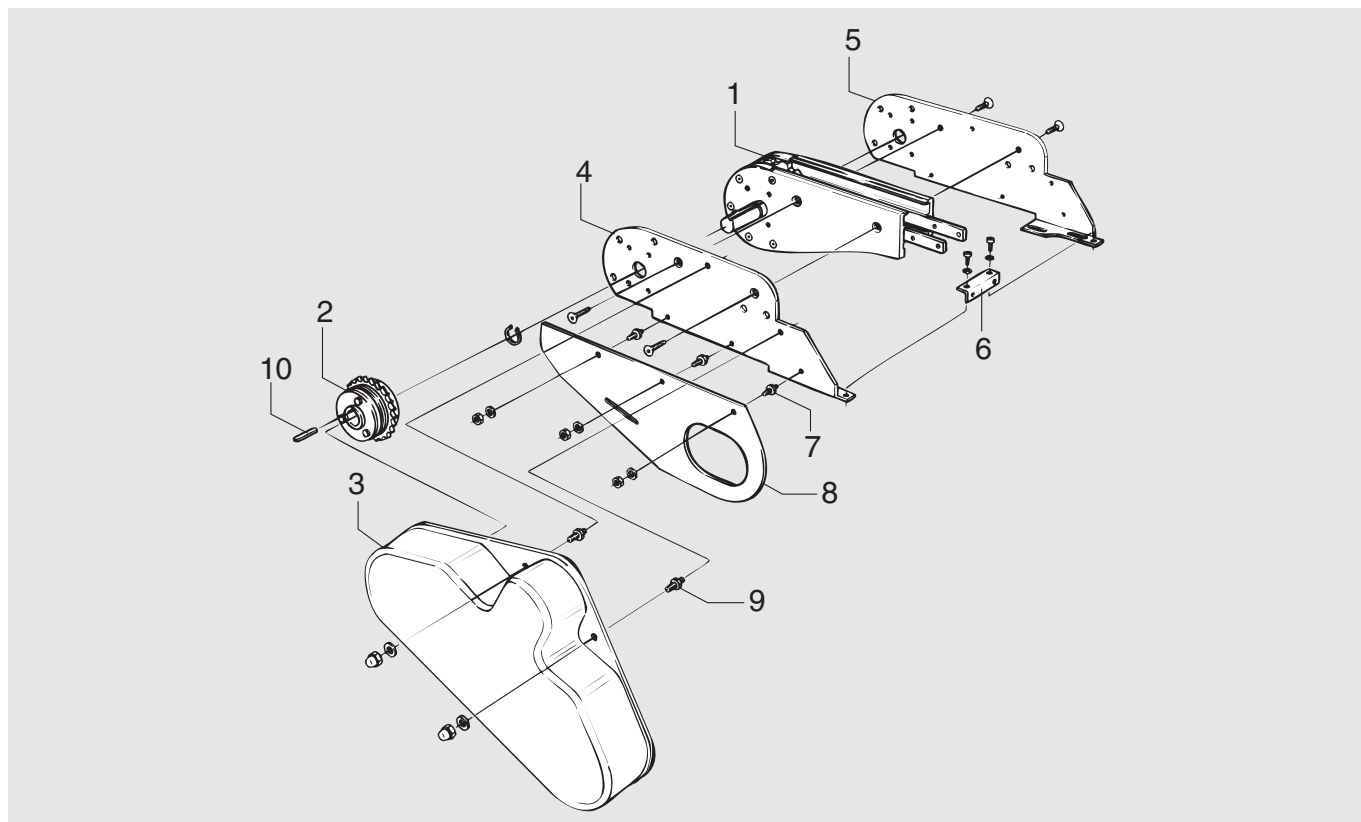
For SEW S37 gearmotor



Item	Description	Part No	Qty	Comments	Recommended Spare parts
1	0-unit (left-hand version)	XHEB 0 HLG/HLAG	1	See next page for details	
	0-unit (right-hand version)	XHEB 0 HRG/HRAG	1	See next page for details	
2	Sprocket wheel 1/2" including grub screw	See page 2	1		X
3	Adapter plate including bolts and washers	3924197	1	For SEW S37 gearmotor	
	Adapter plate	3924455	1	Blind adapter plate	
4	Transmission chain 1/2" including connecting link	See page 2	1		X
	Transmission chain 1/2" including connecting link	See page 2	1		X

End drive unit, guided

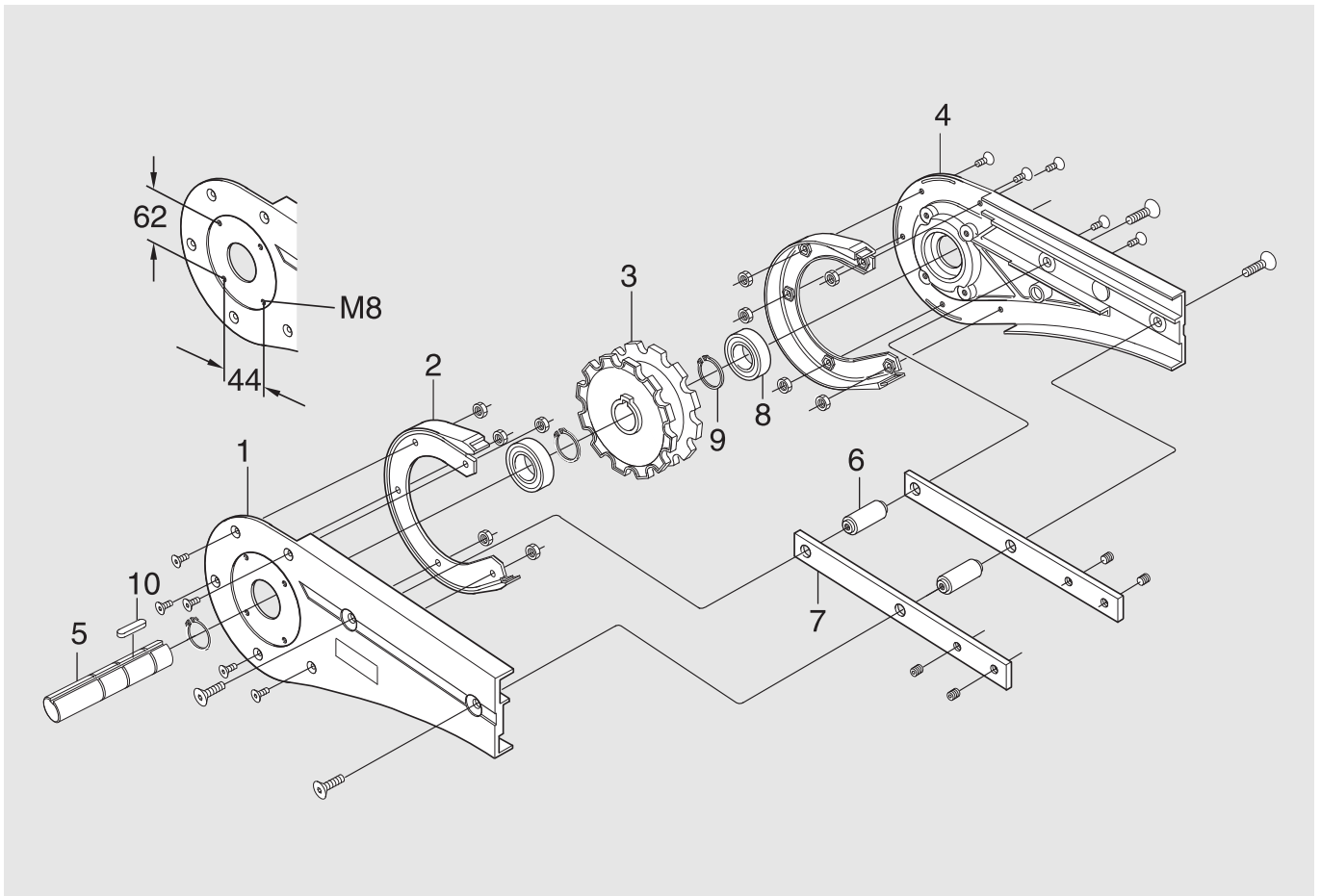
0-unit – XHEB 0 HLG/HRG/HLAG/HRAG



Item	Description	Part No	Qty	Comments	Recommended Spare parts
1	Basic unit (left-hand version)	XHEB 0 HLGU	1	See next page for details	
	Basic unit (right-hand version)	XHEB 0 HRGU	1	See next page for details	
2	Slip clutch Ø25 mm	5053981	1	ISO	
	-Slip clutch, Spare parts kit	5056817	1	ISO, incl. cup spring, ball, chain wheel.	X
	Slip clutch Ø25 mm	5054000	1	ANSI	
	-Slip clutch, Spare parts kit	5056820	1	ANSI, incl. cup spring, ball, chain wheel.	X
3	Transmission cover	3904431	1		
4	Motor bracket L	3904527	1		
5	Motor bracket R	3904528	1		
6	Adjusting block	3924287	1		
7*	Distance screw	(3904862)	3	See kit below	
8*	Slack protection	(3925875)	1	See kit below	
9*	Distance screw	(3904855)	2	See kit below	
10	Thin parallel key	8x7-25	1	DIN 6885A h9	
*)7	Distance screw kit	5111600	1	Kit contains 10 pcs	
*)8	Slack protection kit	5111608	1	LH+RH	
*)9	Distance screw kit	5111599	1	Kit contains 10 pcs	

End drive unit, guided

Basic unit – XHEB 0 HLGU/HRGU

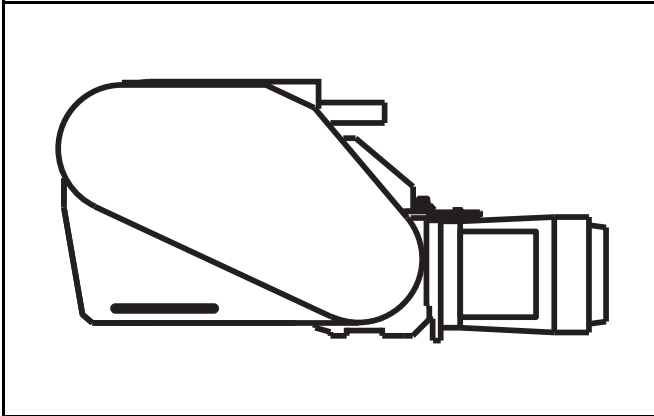


Item	Description	Part No	Qty	Comments	Recommended Spare parts
1*	Side plate L	(3921685)	1	See kit below	
2*	Steering guide	(3921164)	2	See kit below	
3*	Drive wheel	5111627	1	(3904299)	X
4*	Side plate R	(3921684)	1	See kit below	
5*	Drive shaft	(3904403)	1	See kit below	
6	Distance	3904140	2		
7	Connecting strip	3921123	2		
8*	Bearing	(6005 2RS1/C3)	2	See kit below	
9*	Retaining ring	(SgA 25 DIN 471)	3	See kit below	
10*	Thin parallel key	(8x7-63)	1	DIN 6885A h9, See kit below	
*) 1+4	Side plate kit	5111634	1	LH+RH	
*) 2	Spare parts kit Steering guide	5111626	1	LH+RH	X
*) 3+5+8+9+10	Wheel kit	5111632	1		X

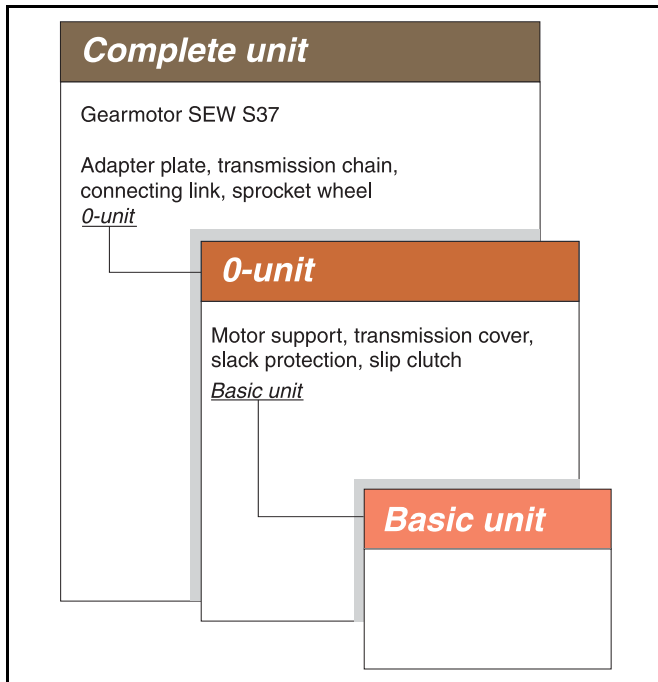


Double drive unit - XH

Revision list



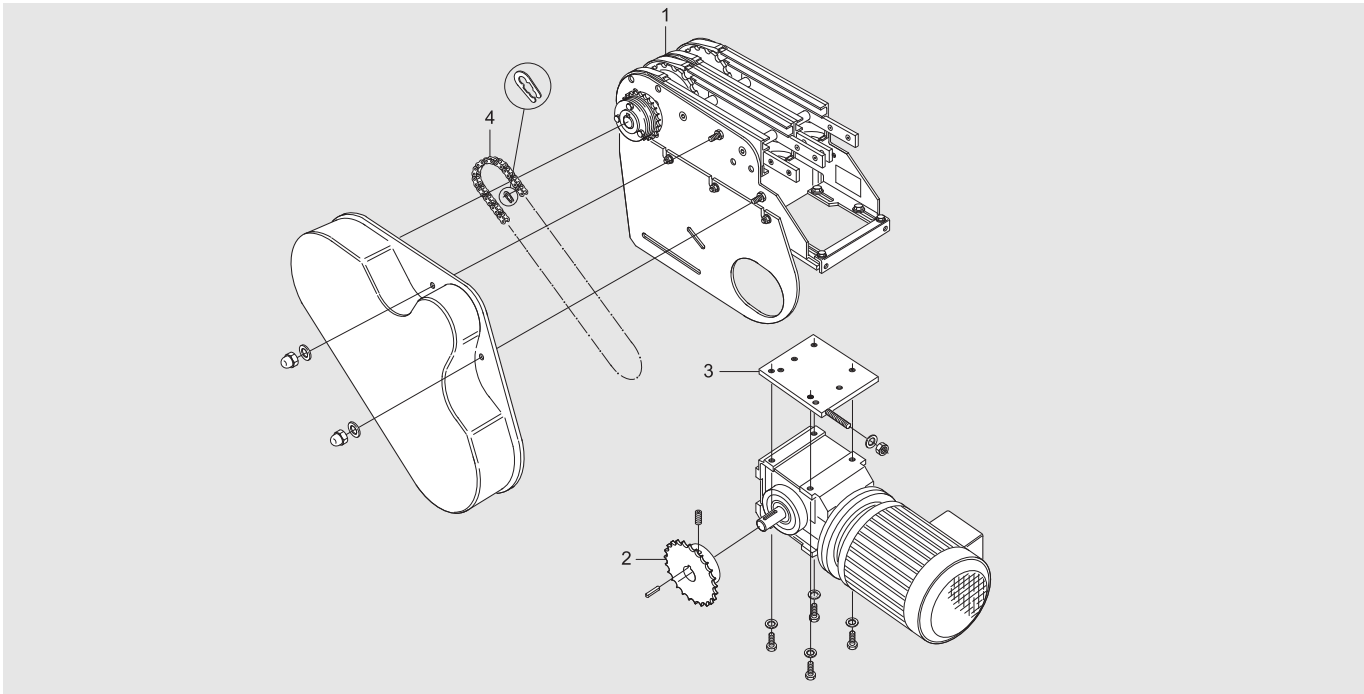
Document designation	Date	Type of revision	Entered by
XH002-E1	98-10-14	New version	Enator Inforum
XH002-E2	99-09-13	Double drive unit (c/c106 mm)	TietoEnator
XH002-E3	08-10-23	Spare part kits added	JE
XH002-E4	09-03-19		JE
XH002-E5	10-07-07	Added new column	CB
XH002-E6	11-11-09	Updated Drive wheel, page 18	CB



Double drive unit (c/c 106 mm)

Complete unit – XHEB _HLD/HRD/HLAD/HRAD106*

For SEW S37 gearmotor



Item	Description	Part No	Qty	Comments	Recommended Spare parts
1	0-unit (left-hand version)	XHEB 0 HLD/HLAD106	1	See next page for details	
	0-unit (right-hand version)	XHEB 0 HRD/HRAD106	1	See next page for details	
2	Sprocket wheel 1/2" including grub screw		1	See table below	X
	Motor alternative, see Drive unit guide 5014				
3	Adapter plate including bolts and washers	3924197	1	For SEW S37 gearmotor	
	Adapter plate including bolts and washers	3924455	1	Blind plate	
4	Transmission chain 1/2" including connecting link	3921638	1	ISO/R- 1967- 08B- 1 (ISO)	X
	Transmission chain 1/2" including connecting link	5044948	1	ISO/R- 1967- 08A- 1 (ANSI)	X

* c/c 106 mm

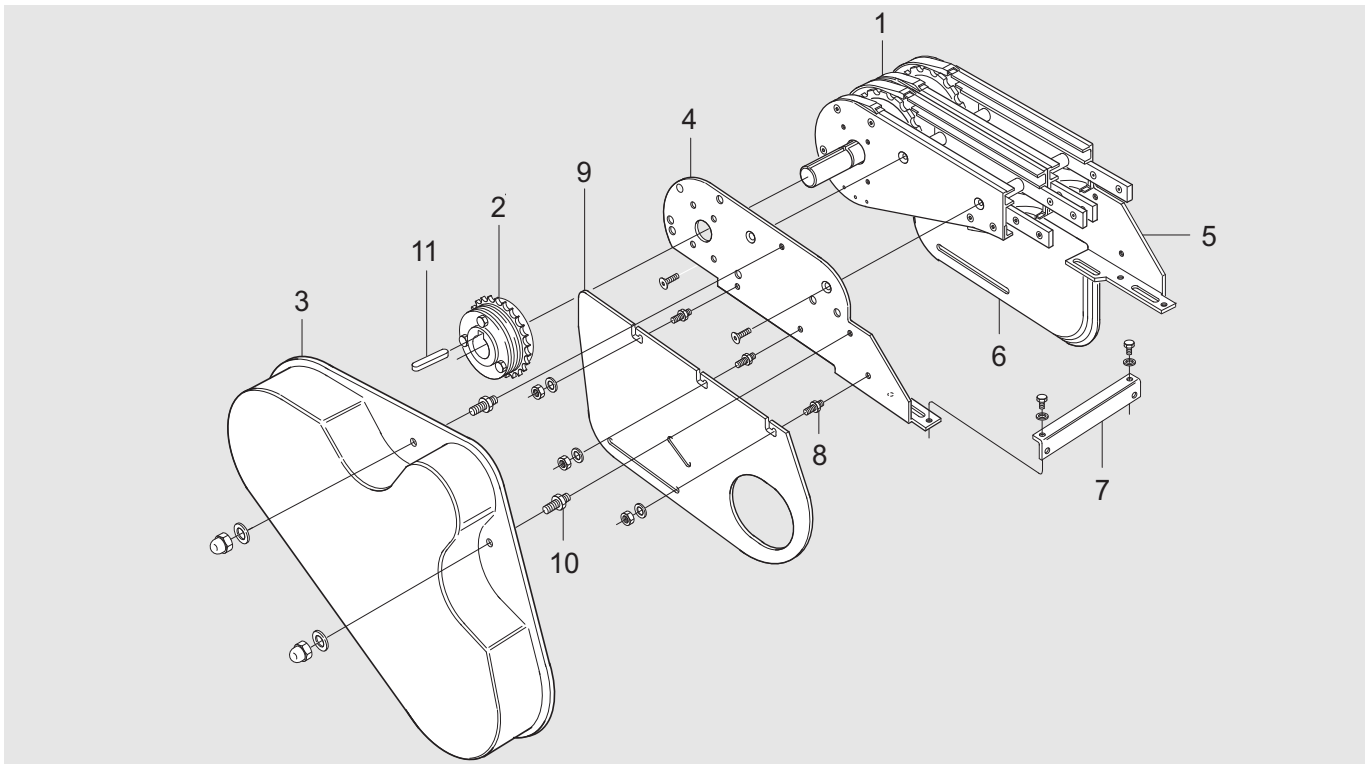
Important

Items 2-4 must be ordered separately when ordering a 0-unit (item 1). The sprocket wheel (item 2) should be specified in accordance with the following table:

Sprocket wheel 1/2"	Part No (SEW)
z ₁ =19	3924438
z ₁ =21	3924439
z ₁ =23	3924440
z ₁ =25	3921258
z ₁ =15 ANSI	5044935
z ₁ =17 ANSI	5044936
z ₁ =19 ANSI	5044937
z ₁ =21 ANSI	5044938
z ₁ =23 ANSI	5044939
z ₁ =25 ANSI	5044940

Double drive unit (c/c 106 mm)

0-unit – XHEB 0 HLD/HRD/HLAD/HRAD106**

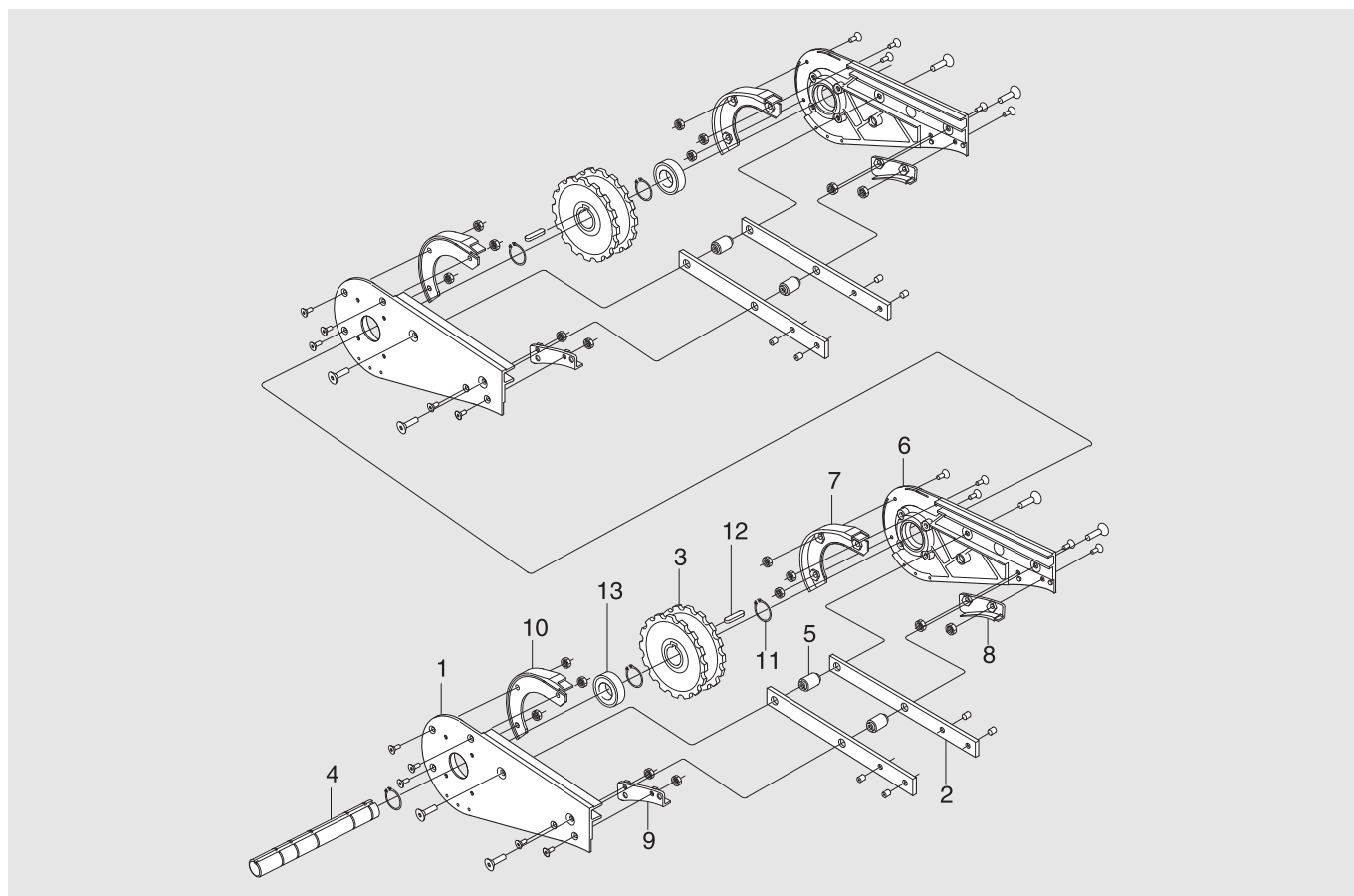


Item	Description	Part No	Qty	Comments	Recommended Spare parts
1	Basic unit	XHEB 0 HLDU106	1	See next page for details	
	Basic unit	XHEB 0 HRDU106	1	See next page for details	
2	Slip clutch Ø25 mm	5053981	1	ISO	
	-Slip clutch, Spare parts kit	5056817	1	ISO, incl. cup spring, ball, chain wheel	X
	Slip clutch Ø25 mm	5054000	1	ANSI	
	-Slip clutch, Spare parts kit	5056820	1	ANSI, incl. cup spring, ball, chain wheel	X
3	Transmission cover	3904431	1		
4	Motor bracket	3904527	1		
5	Motor bracket	3904528	1		
6*	Slack protection R	(3904665)	1	See kit below	
7	Adjusting block	3926279	1		
8*	Distance screw M6	(3904862)	5	See kit below	
9*	Slack protection L	(3904666)	1	See kit below	
10*	Distance screw M8	(3904855)	2	See kit below	
11	Adapter plate	3926310	1	c/c 106	
12	Thin parallel key	8x7-25	1	DIN 6885A h9	
*) 6+9	Slack protection kit	5111566	1	LH+RH	
*) 8	Distance screw kit	5111600	1	Kit contains 10 pcs	
*) 10	Distance screw kit	5111599	1	Kit contains 10 pcs	

**c/c 106 mm

Double drive unit

Basic unit – Parts list

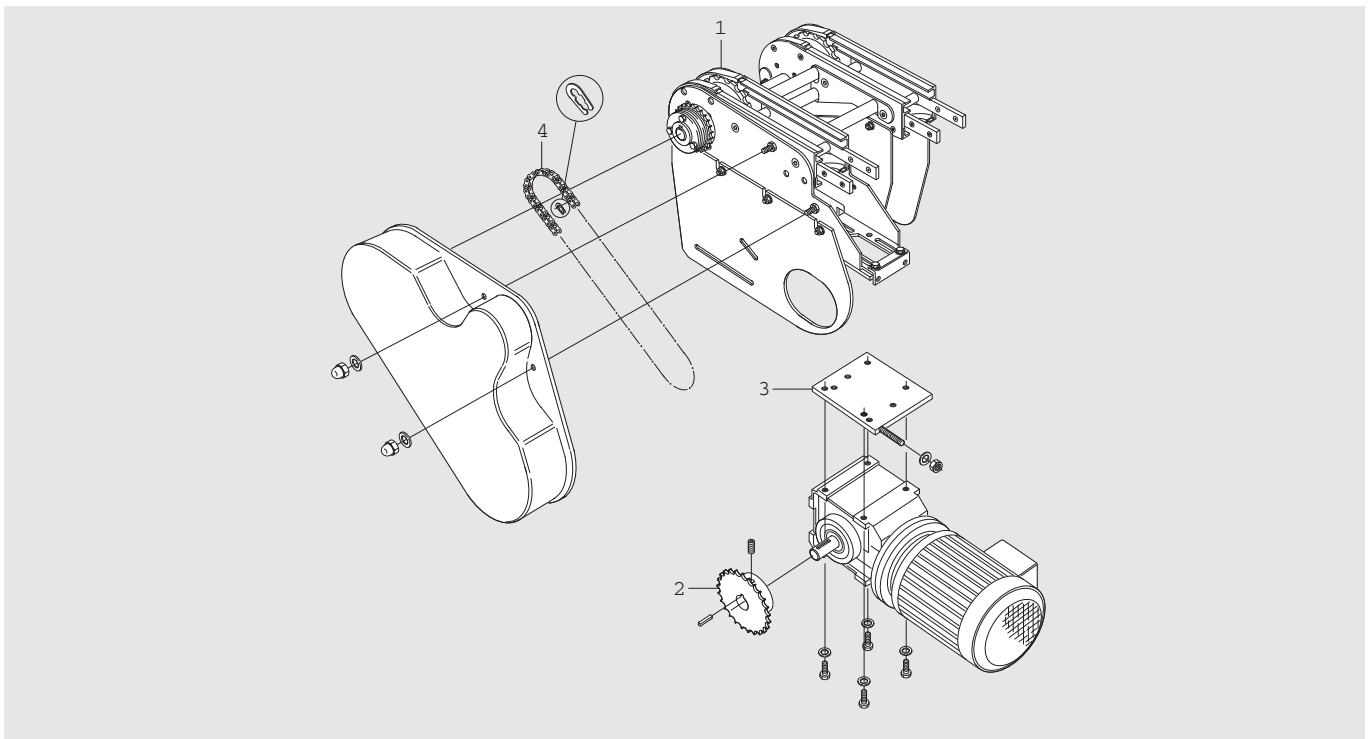


Item	Description	Part No	Qty	Comments	Recommended Spare parts
1*	Side plate L	(3904746)	2	See kit below	
2	Connecting strip	3904139	4		
3*	Drive wheel	5111627	2	(3904299)	X
4	Drive shaft	3926311	1	c/c 106	
		3926277	1	c/c 150–350	
5	Spacer	3904140	4		
6*	Side plate R	(3904234)	2	See kit below	
7*	Steering guide	(3904312)	2	See kit below	
8*	Guide R	(3904313)	2	See kit below	
9*	Guide L	(3904744)	2	See kit below	
10*	Steering guide L	(3904745)	2	See kit below	
11	Retaining ring	(SgA 25)	5	SgA 25 DIN 471, See kit below	
12	Thin parallel key	8x7–63	2	DIN 6885A h9	
13	Bearing	6205 2RS1/C3	2	6205-2RS1/C3	
*) 1+6	Side plate kit	5111628	1	LH+RH	
*) 7+10	Spare parts kit Steering guide	5111629	1	LH+RH	X
*) 8+9	Spare parts kit Guide kit	5111622	1	LH+RH	X

Double drive unit (c/c 150-350 mm)

Complete unit – XHEB_HLD/HRD/HLAD/HRAD-*

For SEW S37 gearmotor



Item	Description	Part No	Qty	Comments	Recommended Spare parts
1	0-unit (left-hand version)	XHEB 0 HLD/HLAD-	1	See next page for details	
	0-unit (right-hand version)	XHEB 0 HRD/HRAD-	1	See next page for details	
2	Sprocket wheel 1/2" including grub screw		1	See table below	X
3	Adapter plate including bolts and washers	3924197	1	For SEW S37 gearmotor	
	Adapter plate	3924455	1	Blind adapter plate	
4	Transmission chain 1/2" including connecting link	3921638	1	ISO/R- 1967- 08B- 1 (ISO)	X
	Transmission chain 1/2" including connecting link	5044948	1	ISO/R- 1967- 08A- 1 (ANSI)	X

* The dash (-) indicates a customer specified c/c distance in the range 150 mm to 350 mm.

Important

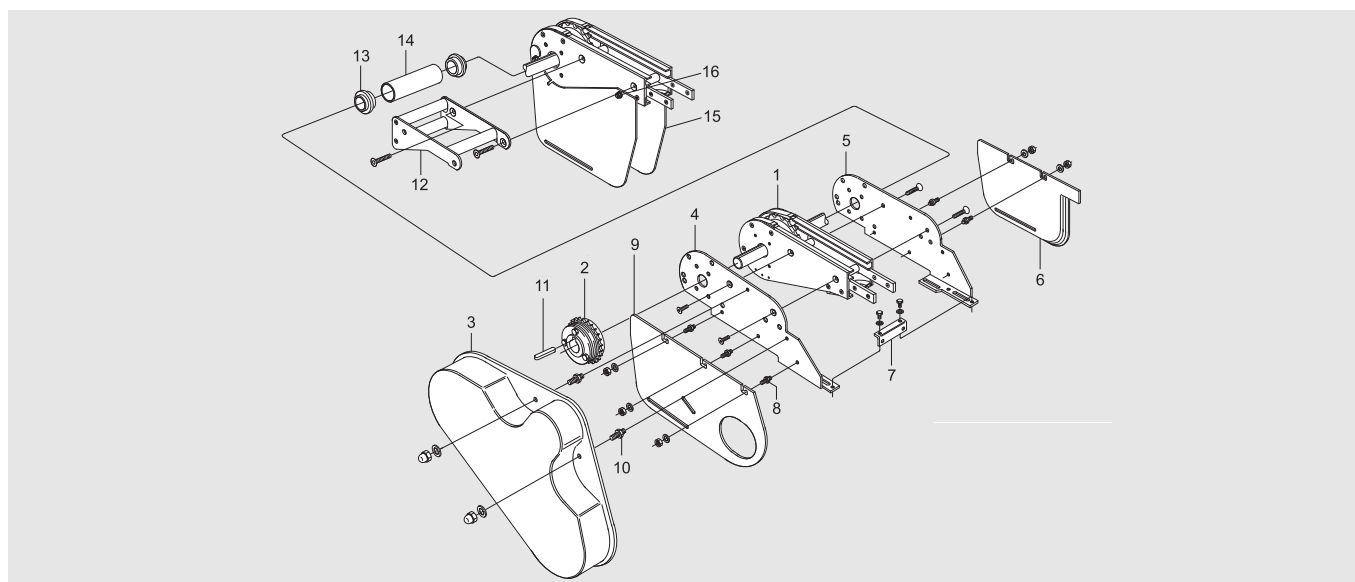
Items 2-4 must be ordered separately when ordering a 0-unit (item 1).

The sprocket wheel (item 2) should be specified in accordance with the following table:

Sprocket wheel 1/2"	Part No (SEW)
Z ₁ =19	3924438
Z ₁ =21	3924439
Z ₁ =23	3924440
Z ₁ =25	3921258
Z ₁ =15 ANSI	5044935
Z ₁ =17 ANSI	5044936
Z ₁ =19 ANSI	5044937
Z ₁ =21 ANSI	5044938
Z ₁ =23 ANSI	5044939
Z ₁ =25 ANSI	5044940

Double drive unit (c/c 150-350 mm)

0-unit – XHEB 0 HLD/HRD/HLAD/HRAD-*

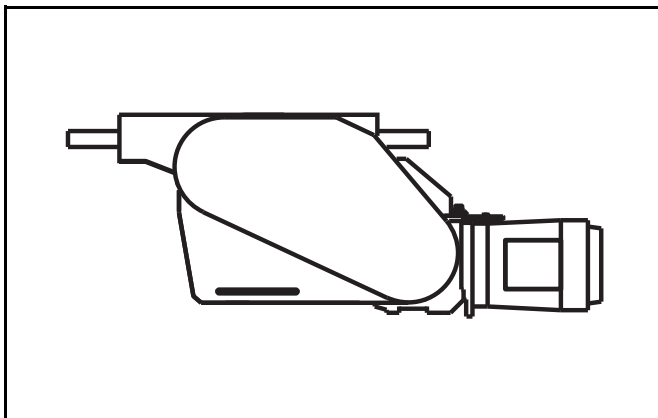


Item	Description	Part No	Qty	Comments	Recommended Spare parts
1	Basic unit	XHEB 0 HLDU–	1	See page 4 for details	
	Basic unit	XHEB 0 HRDU–	1	See page 4 for details	
2	Slip clutch Ø25 mm	5053981	1	ISO	
	-Slip clutch, Spare parts kit	5056817	1	ISO, incl. cup spring, ball, chain wheel	X
	Slip clutch Ø25 mm	5054000	1	ANSI	
	-Slip clutch, Spare parts kit	5056820	1	ANSI, incl. cup spring, ball, chain wheel	X
3	Transmission cover	3904431	1		
4	Motor bracket	3904527	1		
5	Motor bracket	3904528	1		
6*	Slack protection	(3904665)	1	See kit below	
7	Adjusting block	3925469	1		
8*	Distance screw M6	(3904862)	9	See kit below	
9*	Slack protection	(3904666)	1	See kit below	
10*	Distance screw M8	(3904855)	2	See kit below	
11	Thin parallel key	8x7–25	1	DIN 6885A h9	
12	Fastener yoke	5046915	1		
13	Bushing	5044695	2		
14	Sleeve	5046917	1		
15*	Slack protection	(3925673)	2	See kit below	
16	Distance screw	3925718	2		
*) 6+9	Slack protection kit	5111566	1	LH+RH	
*) 8	Distance screw kit	5111600	1	Kit contains 10 pcs	
*) 10	Distance screw kit	5111599	1	Kit contains 10 pcs	
*) 15	Slack protection kit	5111581	1		

* The dash (–) indicates a customer specified c/c distance in the range 150 mm to 350 mm.

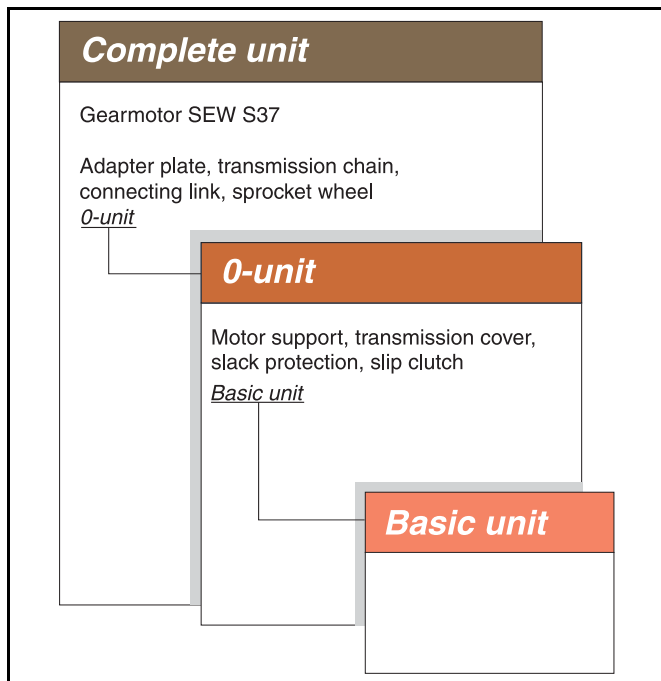


Intermediate drive unit - XH



Revision list

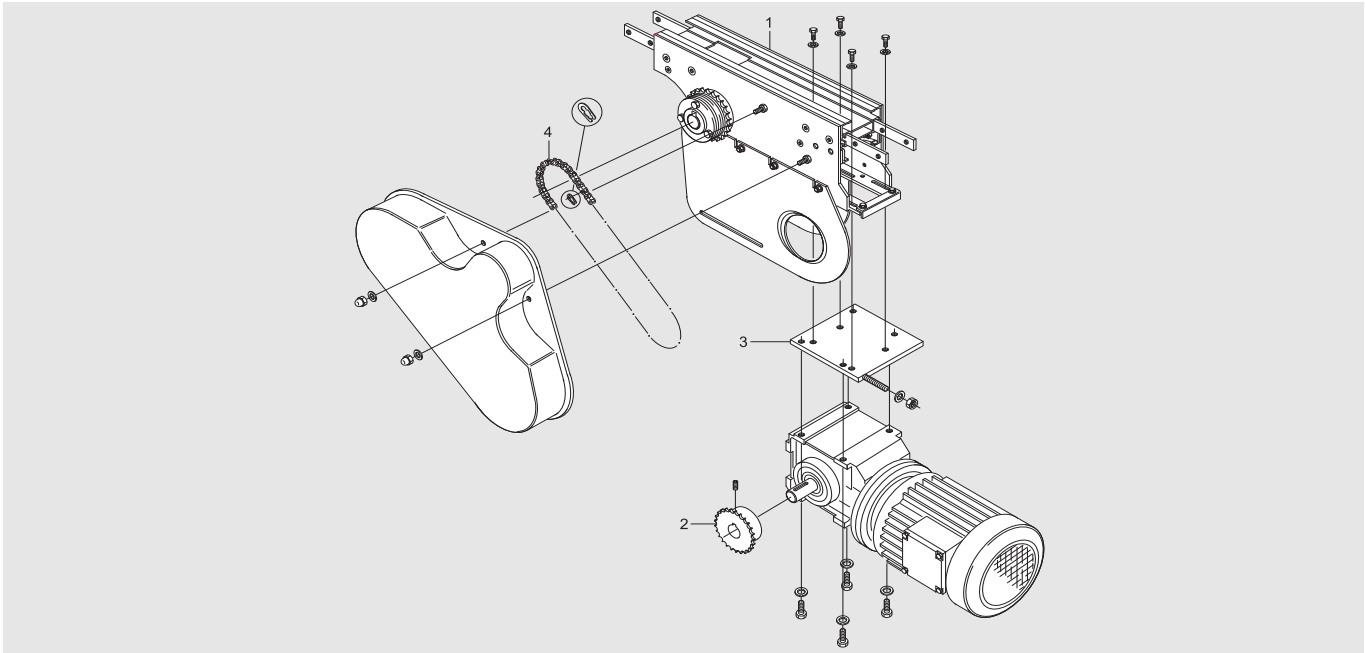
Document designation	Date	Type of revision	Entered by
XH003-E1	98-10-14	New version	Enator Inforum
XH003-E2	08-10-23	Spare part kits added	JE
XH003-E3	09-03-19		JE
XH003-E4	09-10-22	Ch. part no.	JE
XH003-E5	10-07-06	Added new column	CB



Intermediate drive unit

Complete unit – XHER _HL/HR/HLA/HRA

For SEW S37 gearmotor



Item	Description	Part No	Qty	Comments	Recommended Spare parts
1	0-unit (left-hand version)	XHER 0 HL/HLA	1	See next page for details	
	0-unit (right-hand version)	XHER 0 HR/HRA	1	See next page for details	
	Motor alternative, see Drive unit guide 5014				
2	Sprocket wheel 1/2" including grub screw		1	See table below	X
3	Adapter plate including bolts and washers	3924197	1	For SEW S37 gearmotor	
	Adapter plate	3924455	1	Blind adapter plate	
4	Transmission chain 1/2" including connecting link	3921638	1	ISO/R- 1967- 08B- 1 (ISO)	X
	Transmission chain 1/2" including connecting link	5044948	1	ISO/R- 1967- 08A- 1 (ANSI)	X

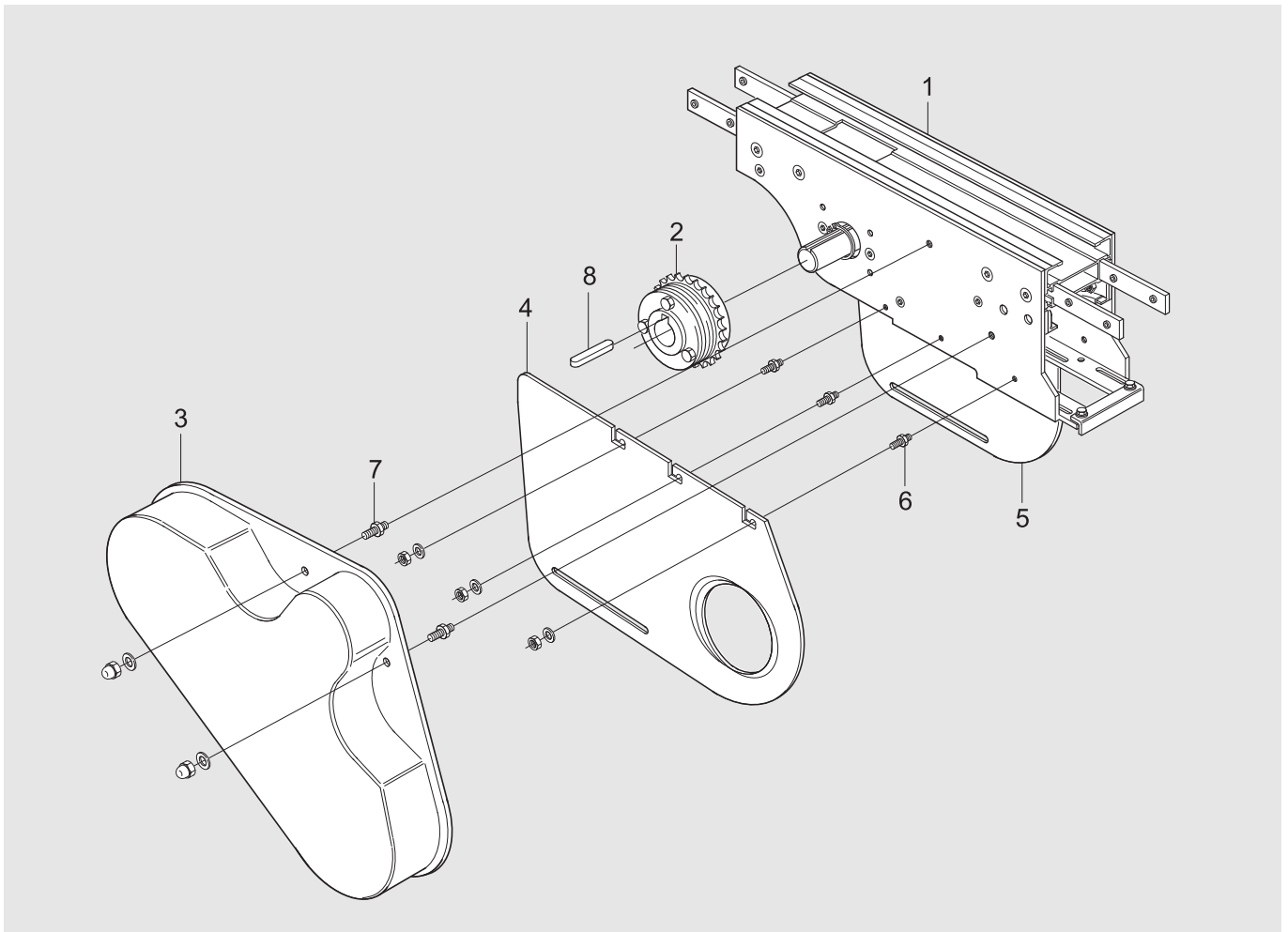
Important

Items 2-4 must be ordered separately when ordering a 0-unit (item 1). The sprocket wheel (item 2) should be specified in accordance with the following table:

Sprocket wheel 1/2"	Part No (SEW)
z ₁ =19	3924438
z ₁ =21	3924439
z ₁ =23	3924440
z ₁ =25	3921258
z ₁ =15 ANSI	5044935
z ₁ =17 ANSI	5044936
z ₁ =19 ANSI	5044937
z ₁ =21 ANSI	5044938
z ₁ =23 ANSI	5044939
z ₁ =25 ANSI	5044940

Intermediate drive unit

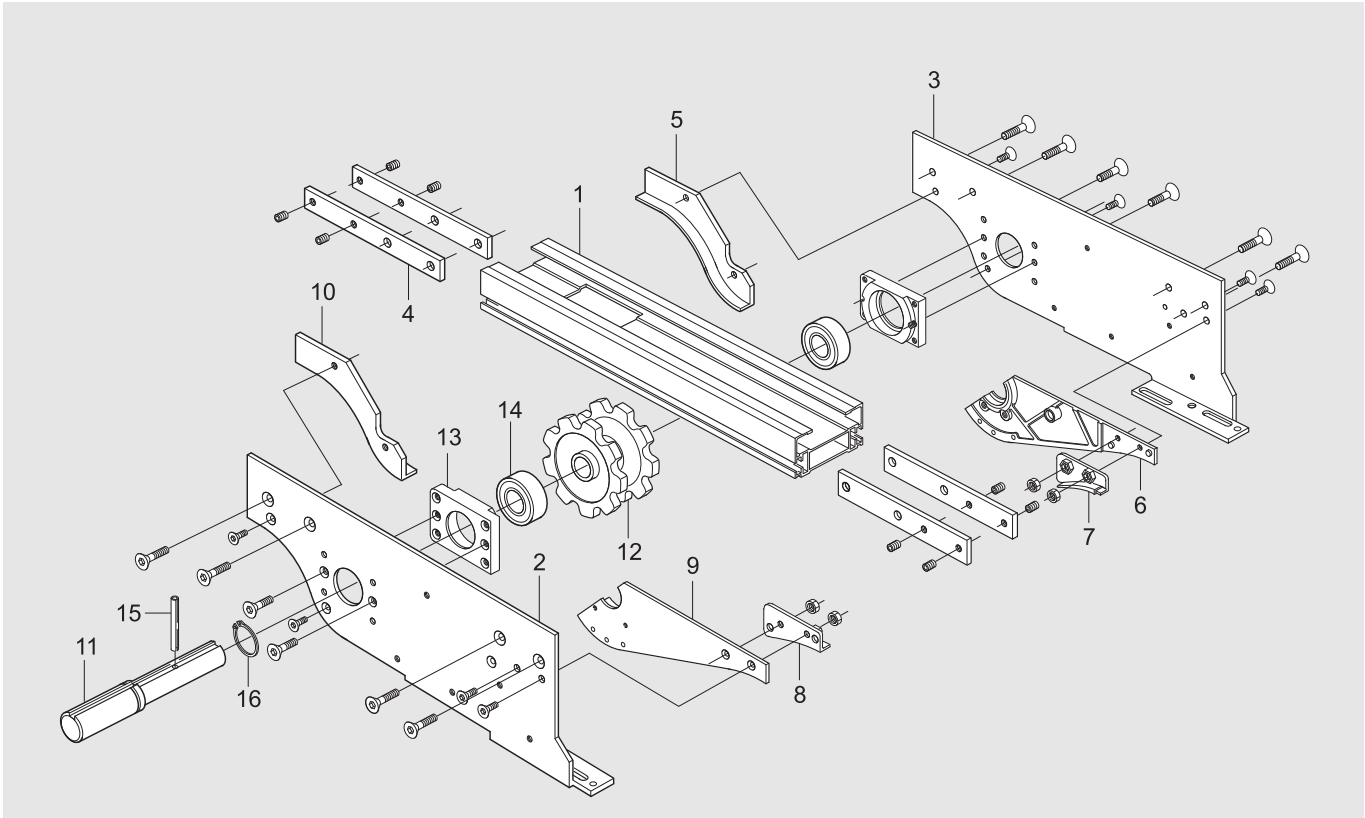
0-unit – XHER 0 HL/HR/HLA/HRA



Item	Description	Part No	Qty	Comments	Recommended Spare parts
1	Basic unit (left-hand version)	XHER 0 HLU	1	See next page for details	
	Basic unit (right-hand version)	XHER 0 HRU	1	See next page for details	
2	Slip clutch Ø25 mm	5053981	1	ISO	
	-Slip clutch, Spare parts kit	5056817	1	ISO, incl. cup spring, ball, chain wheel	X
	Slip clutch Ø25 mm	5054000	1	ANSI	
	-Slip clutch, Spare parts kit	5056820	1	ANSI, incl. cup spring, ball, chain wheel	X
3	Transmission cover	3904431	1		
4*	Slack protection L	(3904666)	1	See kit below	
5*	Slack protection	(3904665)	1	See kit below	
6*	Screw	(3904862)	5	See kit below	
7*	Screw	(3904855)	2	See kit below	
8	Thin parallel key	8x7-25	1	DIN 6885A h9	
*) 4+5	Slack protection kit	5111566	1	LH+RH	
*) 6	Distance screw kit	5111600	1	Kit contains 10 pcs	
*) 7	Distance screw kit	5111599	1	Kit contains 10 pcs	

Intermediate drive unit

Basic unit – XHER 0 HLU/HRU



Item	Description	Part No	Qty	Comments	Recommended Spare parts
1	Beam	3926790	1		
2	Side plate LH	3927121	1		
3	Side plate RH	3927122	1		
4	Connecting strip	3924975	4		
5*	Steering guide RH	(3902661)	1	See kit below	
6	Side plate RH	3927180	1		
7*	Guide RH	(3904313)	1	See kit below	
8*	Guide LH	(3904744)	1	See kit below	
9	Side plate LH	3927181	1		
10*	Steering guide LH	(3924634)	1	See kit below	
11	Drive shaft	3926791	1		
12*	Drive wheel	(3902527)	1	See kit below	
13	Bearing house	3927119	2		
14	Bearing	6204-RS1/C3	2	6204-RS1/C3	
15	Tension pin	FRP 6x55	1	FRP 6x55	
16	Retaining ring	SgA 25	1	SgA 25	
*) 5+10	Spare parts kit Steering guide	5111621	1	LH+RH	X
*) 7+8	Spare parts kit Guide	5111622	1	LH+RH	X
*) 12	Wheel	5111623	1	(3902527)	X

Spare parts Catenary drive unit - XH

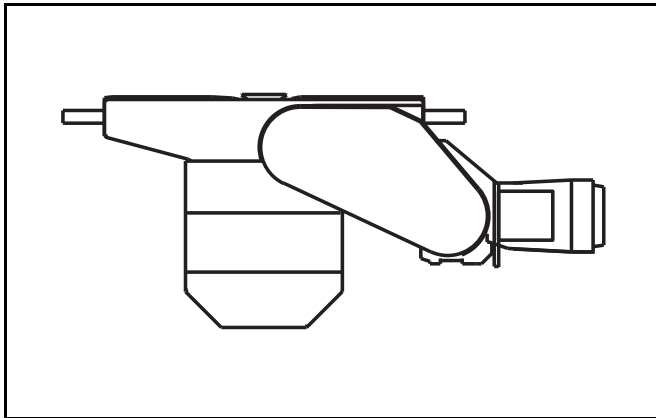


Technical information from FlexLink

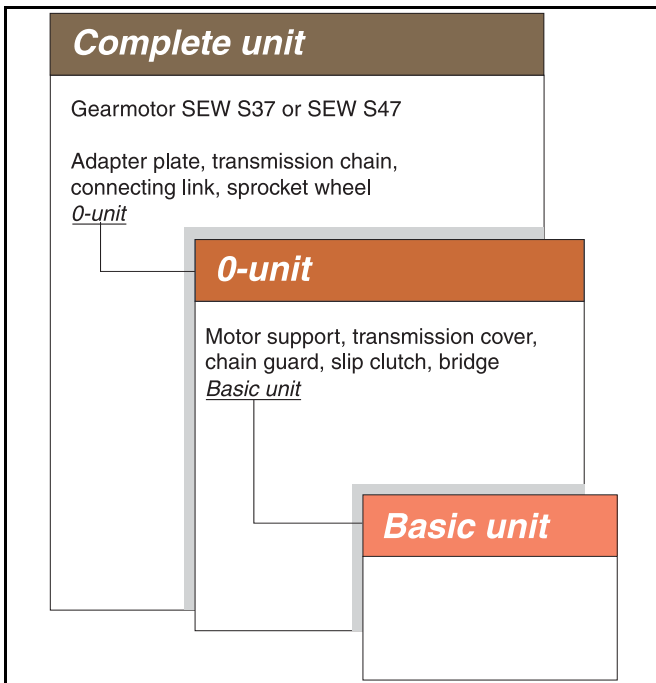
XH004-E2

Catenary drive unit - XH

Revision list



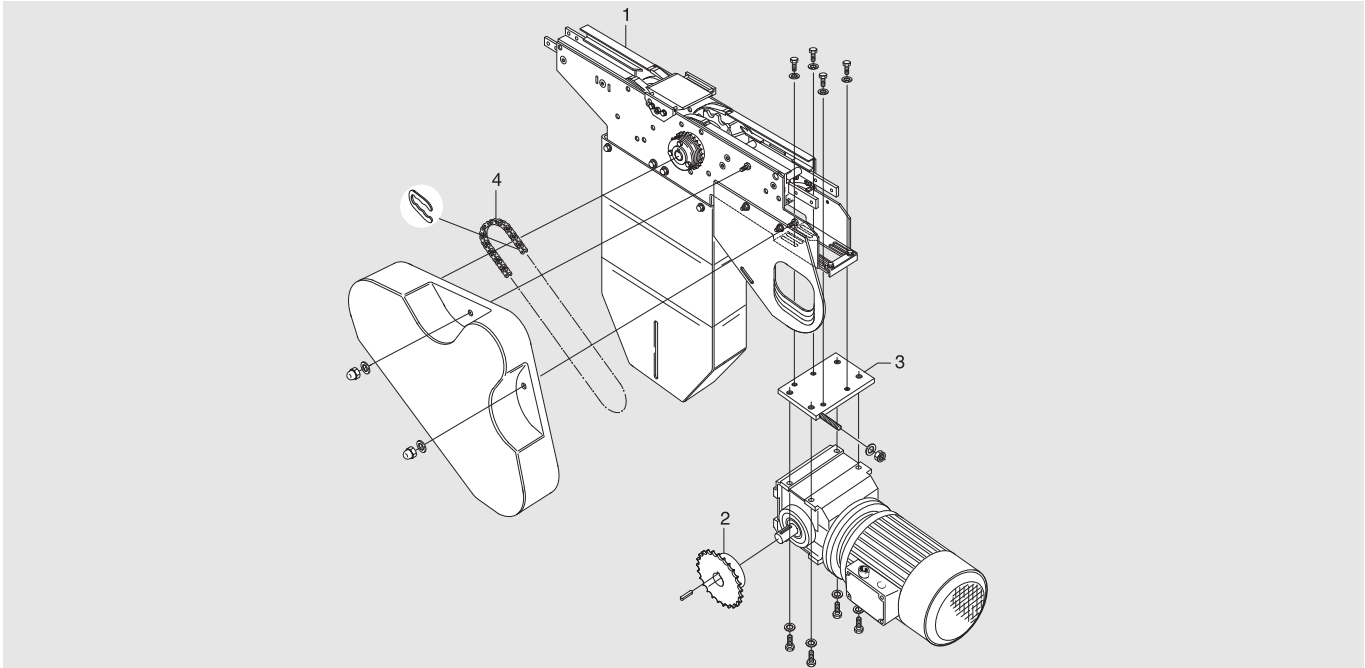
Document designation	Date	Type of revision	Entered by
XH004-E1	98-10-14	New version	Enator Inforum
XH004-E2	10-08-20	Added new col.	JE



Catenary drive unit

Complete unit – XHEC_HL/HR/HLA/HRA

For SEW S37 gearmotor



Item	Description	Part No	Qty	Comments	Recommended Spare parts
1	0-unit (left-hand version)	XHEC 0 HL/HLA	1	See next page for details	
	0-unit (right-hand version)	XHEC 0 HR/HRA	1	See next page for details	
2	Sprocket wheel 1/2" including grub screw		1	See table below	X
3	Adapter plate including bolts and washers	3924197	1	For SEW S37 gearmotor	
	Adapter plate	3924455	1	Blind adapter plate	
4	Transmission chain 1/2" including connecting link	3921638	1	ISO/R- 1967- 08B- 1 (ISO)	X
	Transmission chain 1/2" including connecting link	5044948	1	ISO/R- 1967- 08A- 1 (ANSI)	X

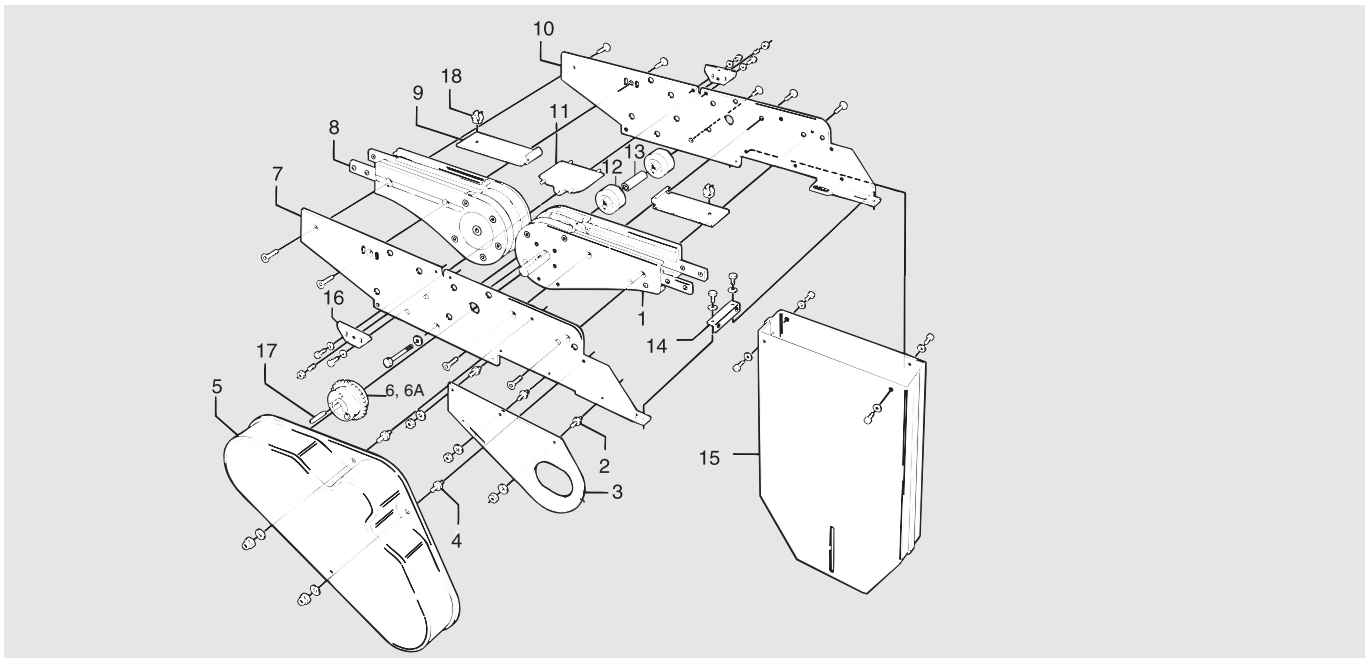
Important

Items 2-4 must be ordered separately when ordering a 0-unit (item 1). The sprocket wheel (item 2) should be specified in accordance with the following table:

Sprocket wheel 1/2"	Part No (SEW)
z ₁ =19	3924438
z ₁ =21	3924439
z ₁ =23	3924440
z ₁ =25	3921258
z ₁ =15 ANSI	5044935
z ₁ =17 ANSI	5044936
z ₁ =19 ANSI	5044937
z ₁ =21 ANSI	5044938
z ₁ =23 ANSI	5044939
z ₁ =25 ANSI	5044940

Catenary drive unit

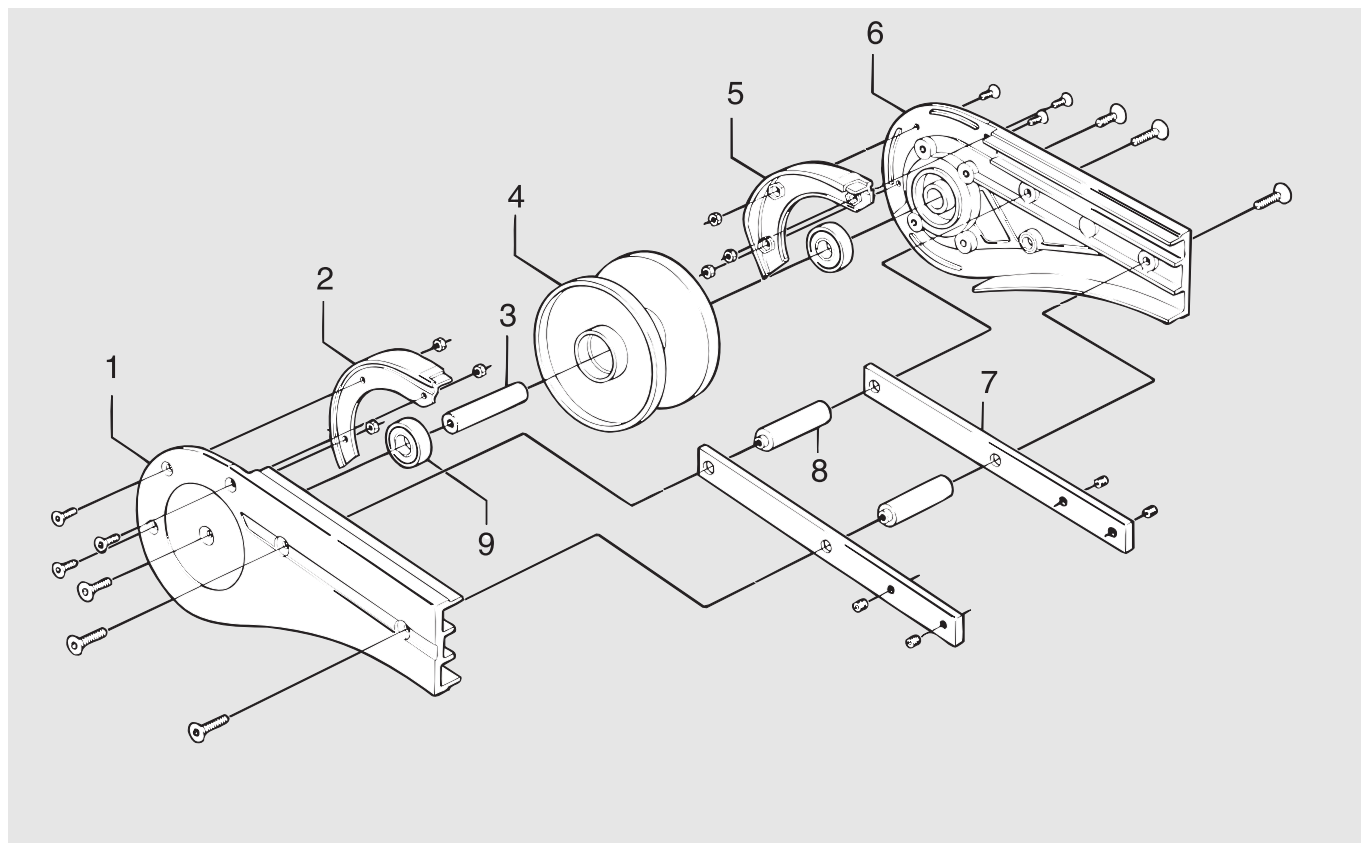
0-unit – XHEC 0 HL/HR/HLA/HRA



Item	Description	Part No	Qty	Comments	Recommended Spare parts
1	Basic unit (left-hand version)	XHEB 0 HLU	1	See next page for details	
	Basic unit (right-hand version)	XHEB 0 HRU	1	See next page for details	
2*	Distance screw	(3904862)	2	See kit below	
3	Chain guard	3924847	1		
4*	Distance screw	(3904855)	2	See kit below	
5	Transmission cover	3904431	1		
6	Slip clutch Ø25 mm	5053981	1	ISO	
	-Slip clutch, Spare parts kit	5056817	1	ISO, incl. cup spring, ball, chain wheel.	X
6	Slip clutch Ø25 mm	5054000	1	ANSI	
	-Slip clutch, Spare parts kit	5056820	1	ANSI, incl. cup spring, ball, chain wheel.	X
7	Motor bracket L	3921463	1		
8	Idler unit	3921481	1	See page 5 for details	
9	Cover plate	3924662	2		
10	Motor bracket R	3921464	1		
11	Bridge	3905610	1		
12	Support ruller	3920087	4		
13	Distance pipe	3920010	2		
14	Adjusting block	3924287	1		
15	Cover	3925336	1		
16	Adjustment plate	3905278	2		
17	Thin parallel key	8x7-63	1	DIN 6885A h9	
18	Tube clamp	14062	2	Handimex	
*) 2	Distance screw kit	5111600	1	Kit contains 10 pcs	
*) 4	Distance screw kit	5111599	1	Kit contains 10 pcs	

Catenary drive unit

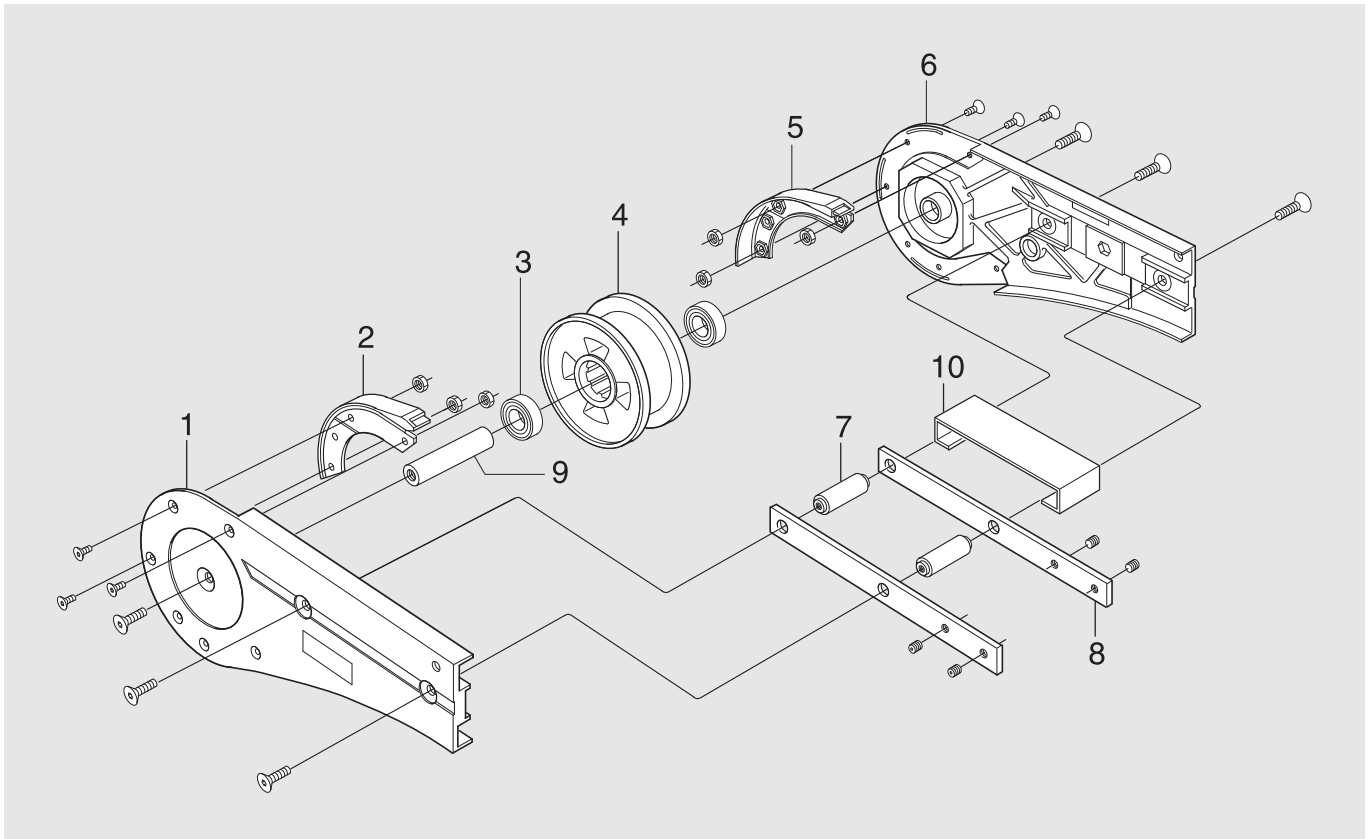
Basic unit – 3925333



Item	Description	Part No	Qty	Comments	Recommended Spare parts
1*	Side plate L	(3925067)	1	See kit below	
2	Steering guide	5051421	1	Marked C and D	X
3	Drive wheel kit	3925063	1	Including wheel, shaft, wedge and bearing	X
4	Steering guide	See item 2		Marked A and B	X
5*	Side plate R	(3925066)	1	See kit below	
6	Connecting strip	3921123	2		
7	Spacer	3924989	3		
8	Cover plate	3925029	1		
*) 1+5	Side plate kit	5111649	1	LH+RH	

Catenary drive unit

Idler unit – 3925332



Item	Description	Part No	Qty	Comments	Recommended Spare parts
1	Side plate R	3920208	1		
2	Steering guide	5051421	1	Marked C and D	X
3	Bearing	6202-2Z	2		
4*	Wheel	(3924757)	1		
5	Steering guide	See item 2		Marked A and B	X
6	Side plate L	3920207	1		
7	Spacer	3924989	2		
8	Connecting strip	3921123	2		
9	Shaft	3925001	1		
10	Cover plate	3925029	1		
*) 4	Wheel	5111648	1	(3924757)	X

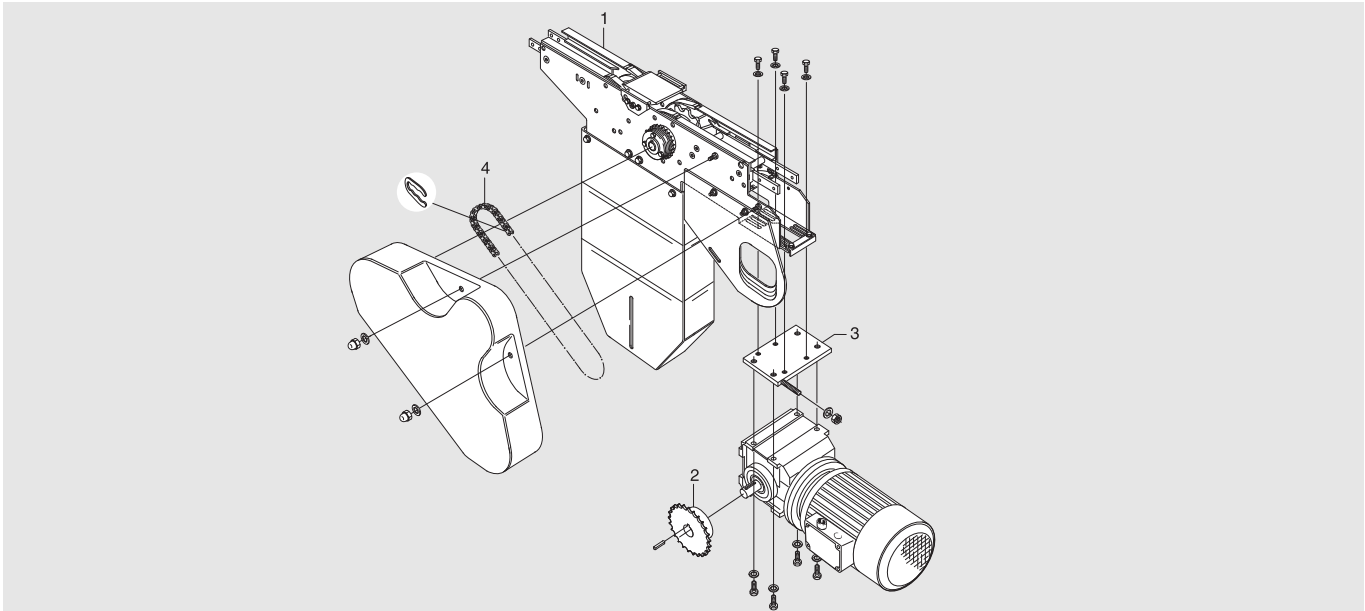
Figures "1", "2", and "3" in the "Availability" column represent:

1. Items immediately available for ordering
2. RFQ items (request for quote)
3. Standard hardware items, normally purchased locally

Catenary drive unit, heavy-duty

Complete unit – XKEC_HL/HR/HLA/HRA

For SEW S47 gearmotor



Item	Description	Part No	Qty	Comments	Recommended Spare parts
1	0-unit (left-hand version)	XKEC 0 HL/HLA	1	See next page for details	
	0-unit (right-hand version)	XKEC 0 HR/HRA	1	See next page for details	
2	Sprocket wheel 5/8" including grub screw		1	See table below	X
3	Adapter plate including bolts and washers, reinforcement plate	3925035	1	For SEW S37 gearmotor	
	Adapter plate	3924455	1	Blind adapter plate	
4	Transmission chain 5/8" incl. connecting link	3925957	1	ISO/R- 1967- 08B- 1 (ISO)	X
	Transmission chain 5/8" incl. connecting link	5044980		ISO/R- 1967- 08A- 1 (ANSI)	X

Important

Items 2-4 must be ordered separately when ordering a 0-unit (item 1). The sprocket wheel (item 2) should be specified in accordance with the following table:

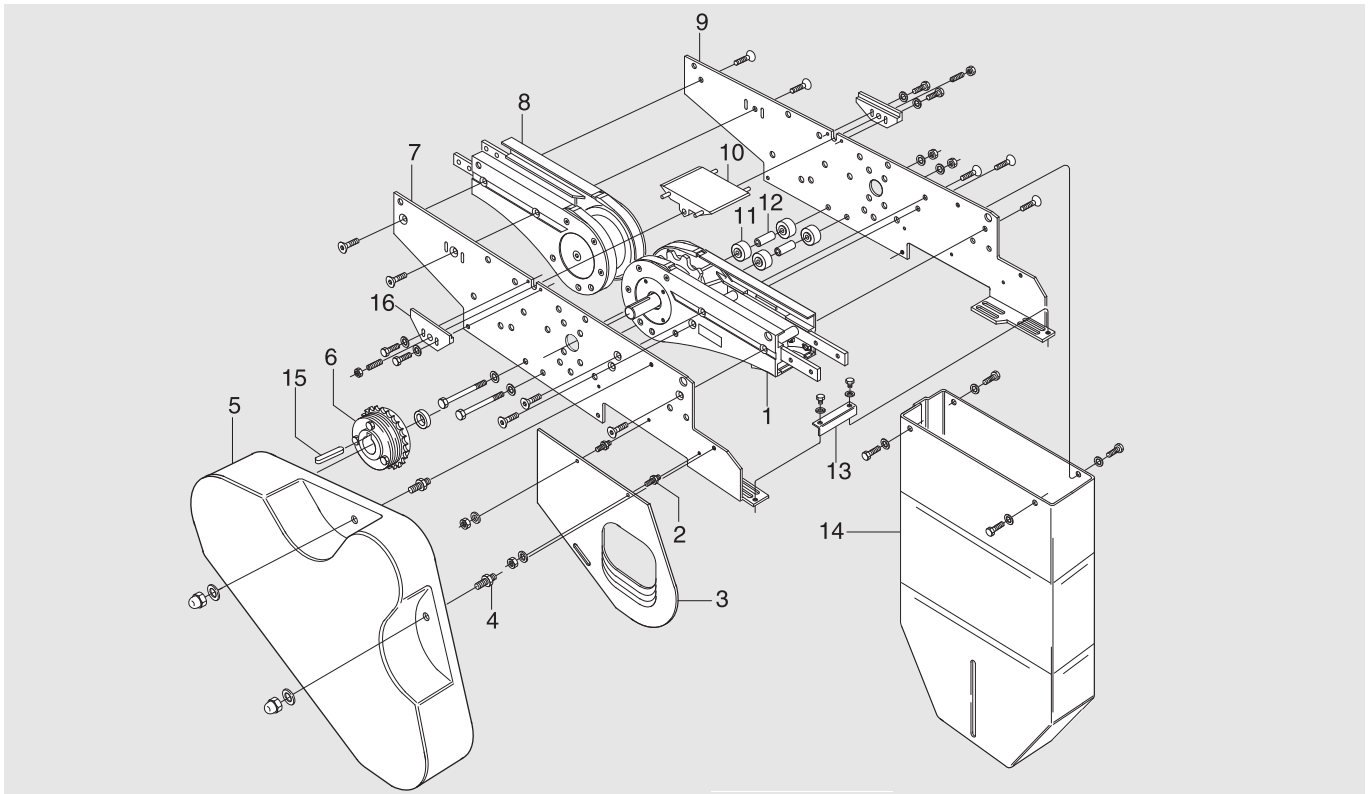
Sprocket wheel 5/8"	Part No (SEW)
Z ₁ =15	3925259
Z ₁ =17	3925260
Z ₁ =19	3925261
Z ₁ =21	3925262
Z ₁ =23	3925263
Z ₁ =25	3925264
Z ₁ =15 ANSI	5044972
Z ₁ =17 ANSI	5044973
Z ₁ =19 ANSI	5044974
Z ₁ =21 ANSI	5044975
Z ₁ =23 ANSI	5044976
Z ₁ =25 ANSI	5044977
Z ₂ =25 ANSI	5045367

Adapter plate

Item 3 (adapter plate) includes an adapter plate reinforcement plate and two reinforcement strips for the connection of the drive unit to the conveyor beam.

Catenary drive unit, heavy-duty

0-unit – XKEC 0 HL/HR/HLA/HRA



Item	Description	Part No	Qty	Comments	Recommended Spare parts
1	Basic unit (left-hand version)	3925333	1	See page 4 for details	
	Basic unit (right-hand version)	3925334	1	See page 4 for details	
2*	Distance screw	(3904862)	2	See kit below	
3	Chain guard	3925069	1		
4*	Distance screw	(3904855)	2	See kit below	
5	Transmission cover	3925068	1		
6	Slip clutch Ø25 mm	5054001	1	ISO, 5/8"	X
	Slip clutch Ø25 mm	5054002	1	ANSI, 5/8"	X
7	Motor bracket L	3925027	1		
8	Idler unit	3925332	1	See page 5 for details	
9	Motor bracket R	3925028	1		
10	Bridge	3905610	1		
11	Wheel	3920087	4		
12	Distance pipe	3920010	2		
13	Adjusting block	3924287	1		
14	Cover	3925336	1		
15	Thin parallel key	8x7-63	1	DIN 6885A h9	
16	Adjustment plate	5043154	2		
*) 2	Distance screw kit	5111600	1	Kit contains 10 pcs	
*) 4	Distance screw kit	5111599	1	Kit contains 10 pcs	

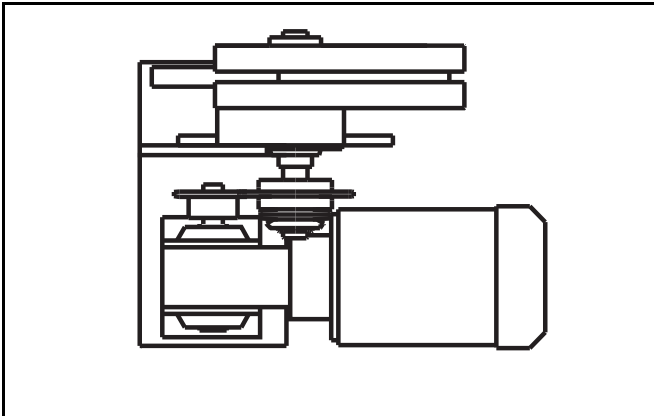
Spare parts Horizontal bend drive unit - XH



Technical information from FlexLink

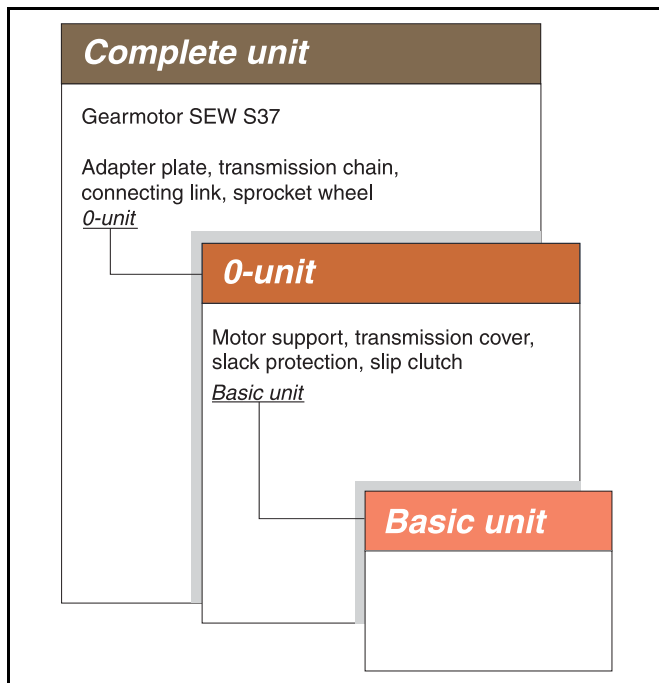
XH005-E2

Horizontal bend drive unit - XH



Revision list

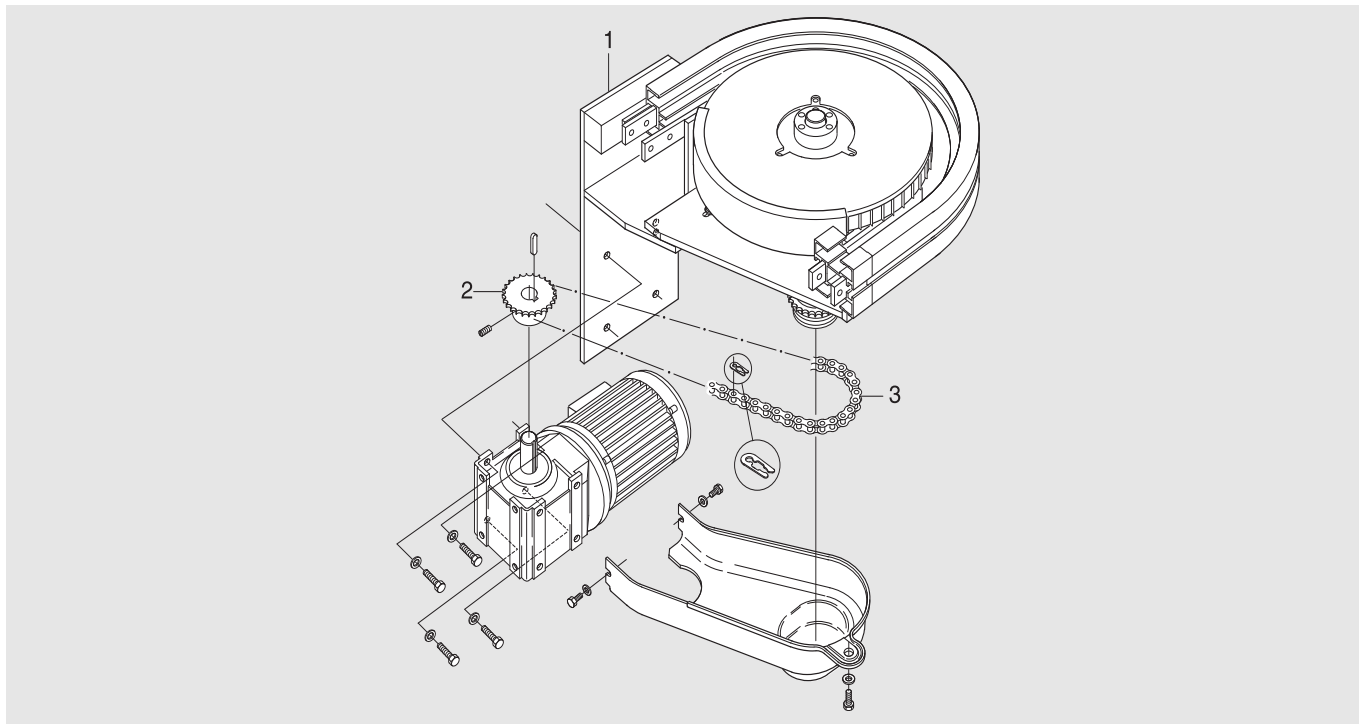
Document designation	Date	Type of revision	Entered by
XH005-E1	98-10-14	New version	Enator Inforum
XH005-E2	10-08-25	VP=>FM8	JE



Horizontal bend drive unit

Complete unit – XHEW 180/_H/HA

For SEW S37 gearmotor



Item	Description	Part No	Qty	Comments	Recommended Spare parts
1	0-unit	XHEW 180/0 H/HA	1	See next page for details	
2	Sprocket wheel 1/2" including grub screw		1	See table below	X
	Motor alternative, see Drive unit guide 5014				
3	Transmission chain 1/2" including connecting link	3921638	1	ISO/R- 1967- 08B- 1 (ISO)	X
	Transmission chain 1/2" including connecting link	5044948	1	ISO/R- 1967- 08A- 1 (ANSI)	X

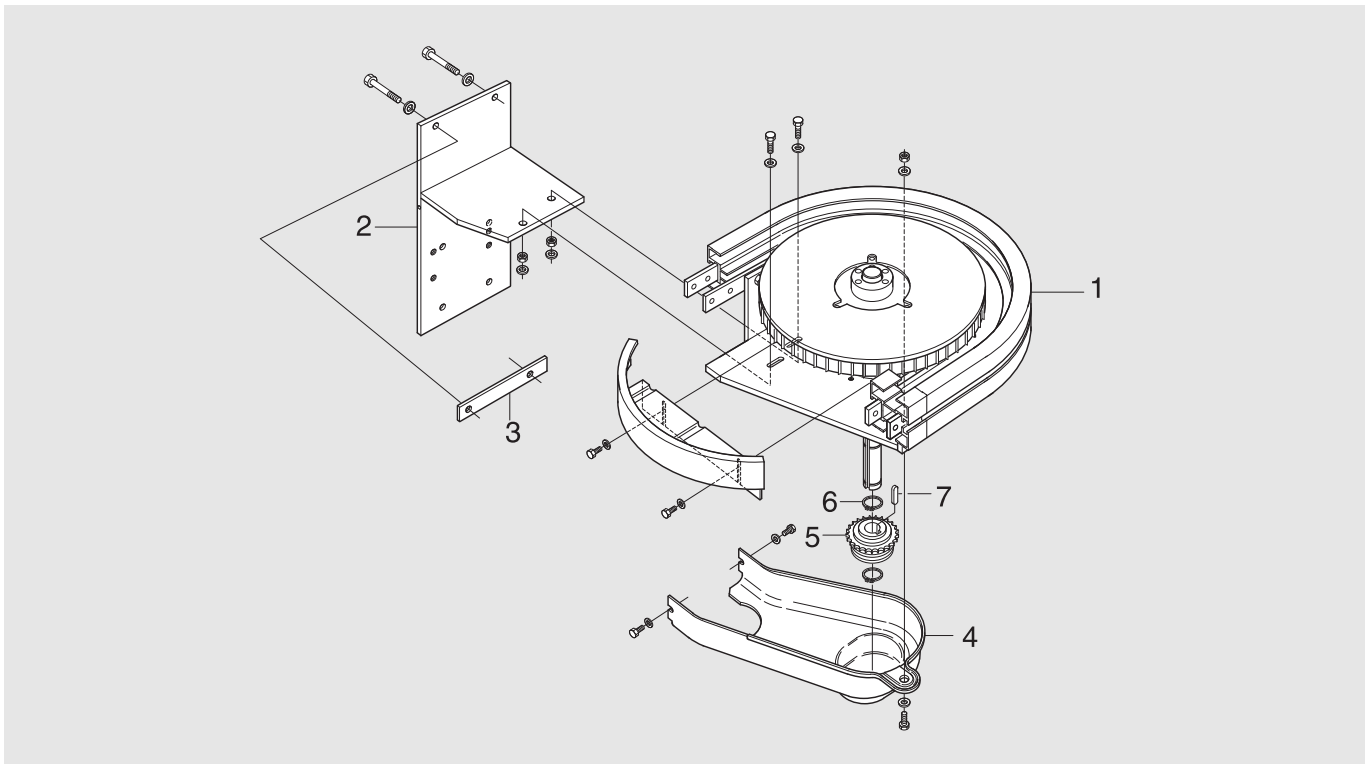
Important

Items 2-4 must be ordered separately when ordering a 0-unit (item 1). The sprocket wheel (item 2) should be specified in accordance with the following table:

Sprocket wheel 1/2"	Part No (SEW)
z ₁ =19	3924438
z ₁ =21	3924439
z ₁ =23	3924440
z ₁ =25	3921258
z ₁ =15 ANSI	5044935
z ₁ =17 ANSI	5044936
z ₁ =19 ANSI	5044937
z ₁ =21 ANSI	5044938
z ₁ =23 ANSI	5044939
z ₁ =25 ANSI	5044940

Horizontal bend drive unit

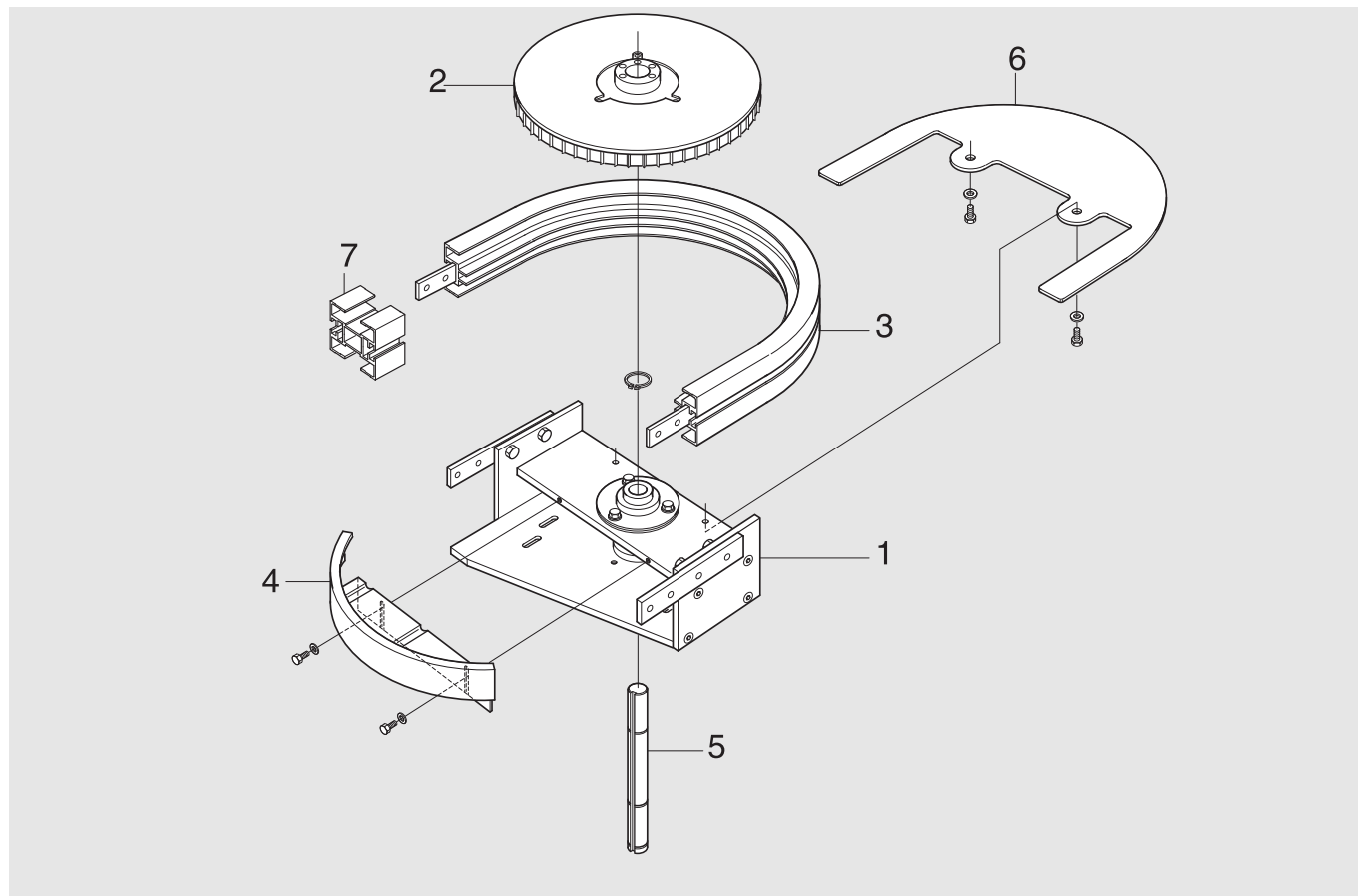
0-unit – XHEW 180/0 H/HA



Item	Description	Part No	Qty	Comments	Recommended Spare parts
1	Basic unit	XHEW 180/0 HU	1	See next page for details	
2	Bracket	3926586	1		
3	Nut bracket	3903339	1		
4	Transmission cover	3926754	1		
5	Slip clutch Ø25 mm	5053981	1	ISO	
	-Slip clutch, Spare parts kit	5056817	1	ISO, incl. cup spring, ball, chain wheel.	X
	Slip clutch Ø25 mm	5054000	1	ANSI	
	-Slip clutch, Spare parts kit	5056820	1	ANSI, incl. cup spring, ball, chain wheel.	X
6	Retaining ring	SgA 25	2		
7	Thin parallel key	8×7–40	1	DIN 6885A h9	

Horizontal bend drive unit

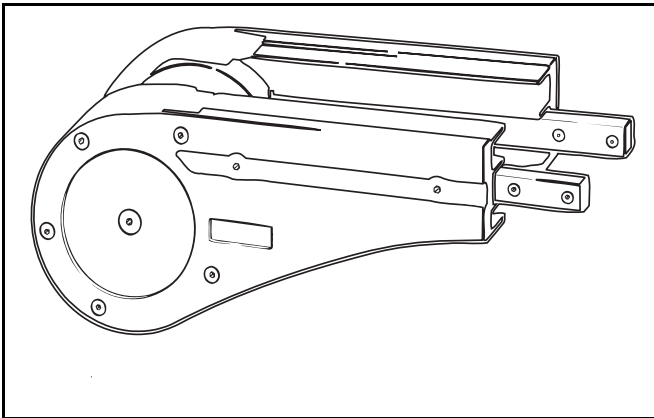
Basic unit – XHEW 180/0 HU



Item	Description	Part No	Qty	Comments	Recommended Spare parts
1	Bracket	3926575	1		
2	Drive wheel	3902723	1		X
3	Outer horizontal bend	XHBE 180R170	1		
4	Protective cover	3926718	1		
5	Shaft	3926450	1		
6	Cover	3926577	1		
7	Transport cover	3926716	2		



Idler end unit - XH

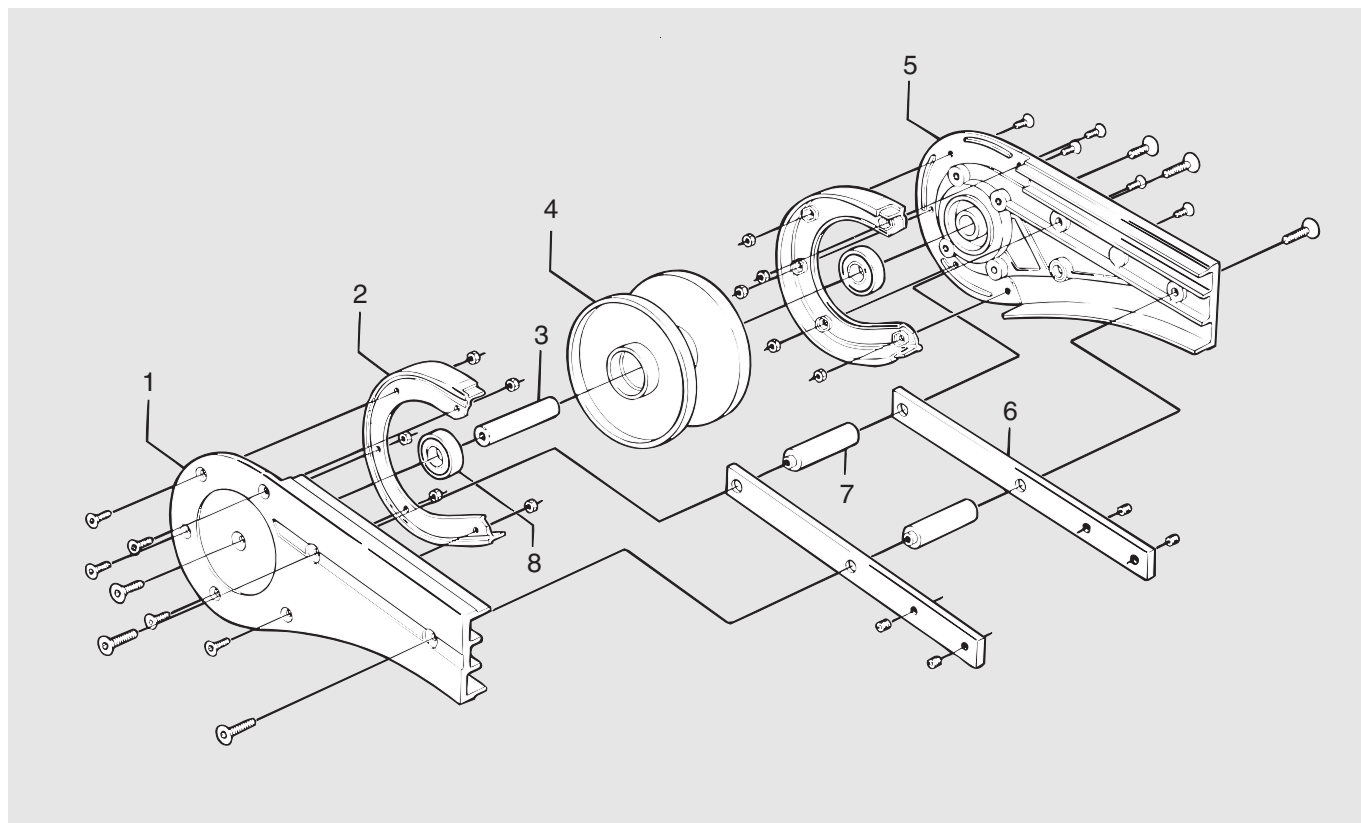


Revision list

Document designation	Date	Type of revision	Entered by
XH001-E1	98-10-14	New version	Enator Inforum

Idler end unit

XHEJ 325



Item	Description	Part No	Qty	Comments	Recommended Spare parts
1	Side plate R	3921162	1		
2	Spare parts kit Steering guide	5111626	1	(3921164)	X
3*	Shaft	(3921287)	1		
4*	Idler wheel	(3921163)	1		
5	Side plate L	3921161	1		
6	Connecting strip	3921123	1		
7	Spacer	3904140	2		
8*	Bearing	(6202-2Z)	2		
*) 3+4+8	Wheel kit	5111625	1		X

Spare parts XHEB # HNLP/HNRP



Technical information from FlexLink

5354EN-2

End drive unit XH Type H, direct drive without slip clutch

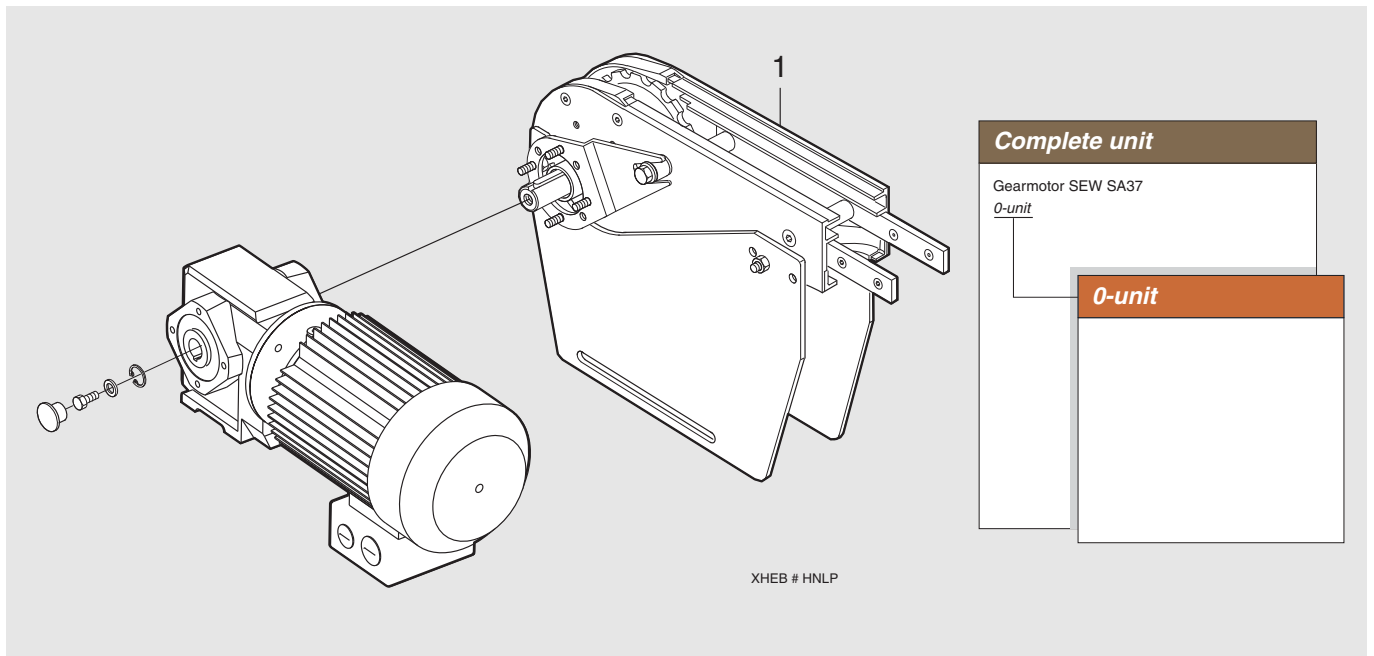
Contents

Complete unit XHEB # HNLP/HNRP 1
 0-unit XHEB 0 HNLP/HNRP 2

Revision list

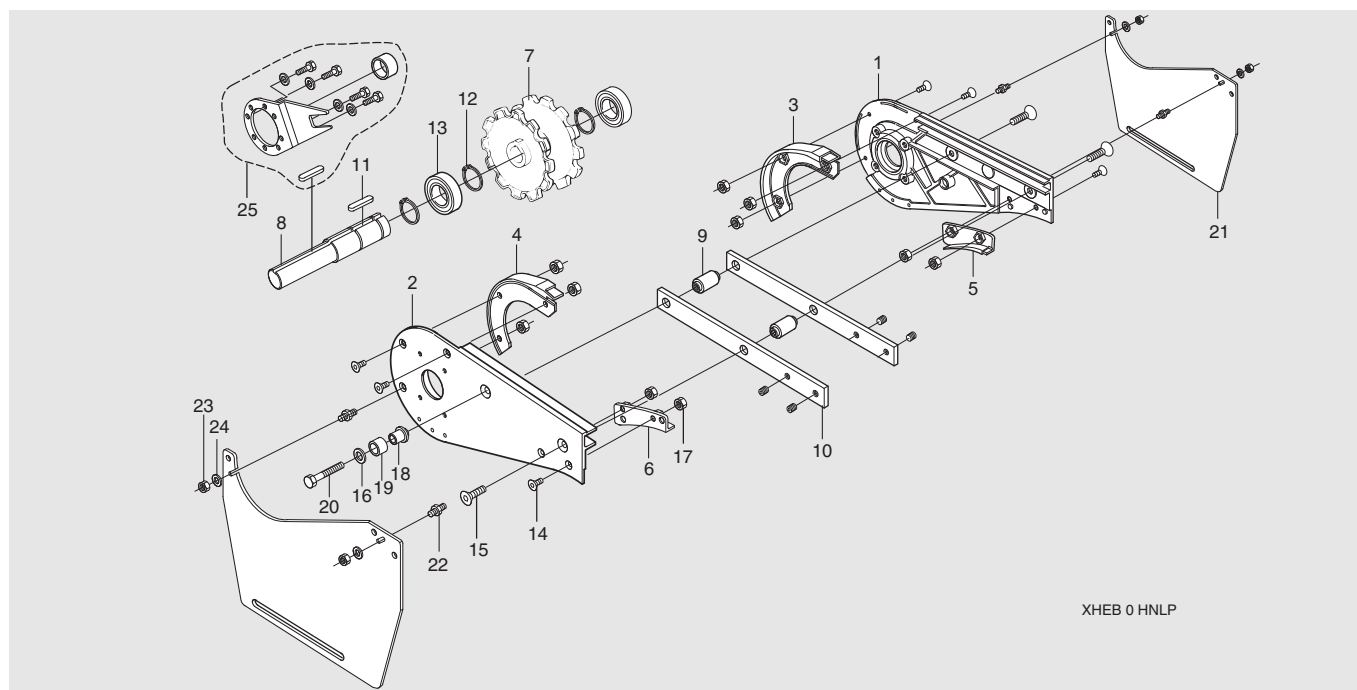
Document designation	Date	Type of revision	Entered by
5354EN-1	06-06-30	Initial version	
5354EN-2	10-08-30	Added new column	CB

Complete unit XHEB # HNLP/HNRP



Item	Description	Part No	Qty	Comments	Recommended Spare parts
1	0-unit (left-hand version)	XHEB 0 HNLP	1	See next page for details	
	0-unit (right-hand version)	XHEB 0 HNRP	1	See next page for details	
For SEW SA37 gearmotor					

0-unit XHEB 0 HNLP/HNRP



Item	Description	Part No	Qty	Comments	Recommended Spare parts
1	Side plate R	3904234	1		
2	Side plate L	3904746	1		
3*	Steering guide R	3904312	1		
4*	Steering guide L	3904745	1		
5*	Guide R	3904313	1		
6*	Guide L	3904744	1		
7	Drive wheel	3904299	1		X
8	Shaft	5057047	1		
9	Spacer	3904140	2		
10	Connecting strip	3921123	2		
11	Wedge	8x7-63 ISO/R 773 (SMS-2306)	1		
12	Retaining ring	SGA 25	2		
13	Bearing	6205 2RS1/C3	2		
14	Screw	MF6S M5X10 10,9 FZB	6		
15	Screw	MF6S M8x30 10,9 FZB	3		
16	Washer for torque arm	5056635	1		
17	Nut	M6M M5-8 FZB	10		
18	Sleeve	5043873	1		
19	Torque absorber	5043874	1		
20	Screw	M6S M8X45 6H 8,8 FZB	1		
21	Slack protection	3925673	2		
22	Distance screw M5/M6	3925718	4		
23	Nut	M6M M6-8 FZB	4		
24	Washer	BRB 6.4X12X1,6 FZB	4		
25	Torque arm kit	5057039	1	Torque arm, cover, screws, washers, wedge	
*) 3+4	Spare parts kit Steering guide	5111629	1		X
*) 5+6	Spare parts kit Guide	5111622	1		X

<http://www.flexlink.com>

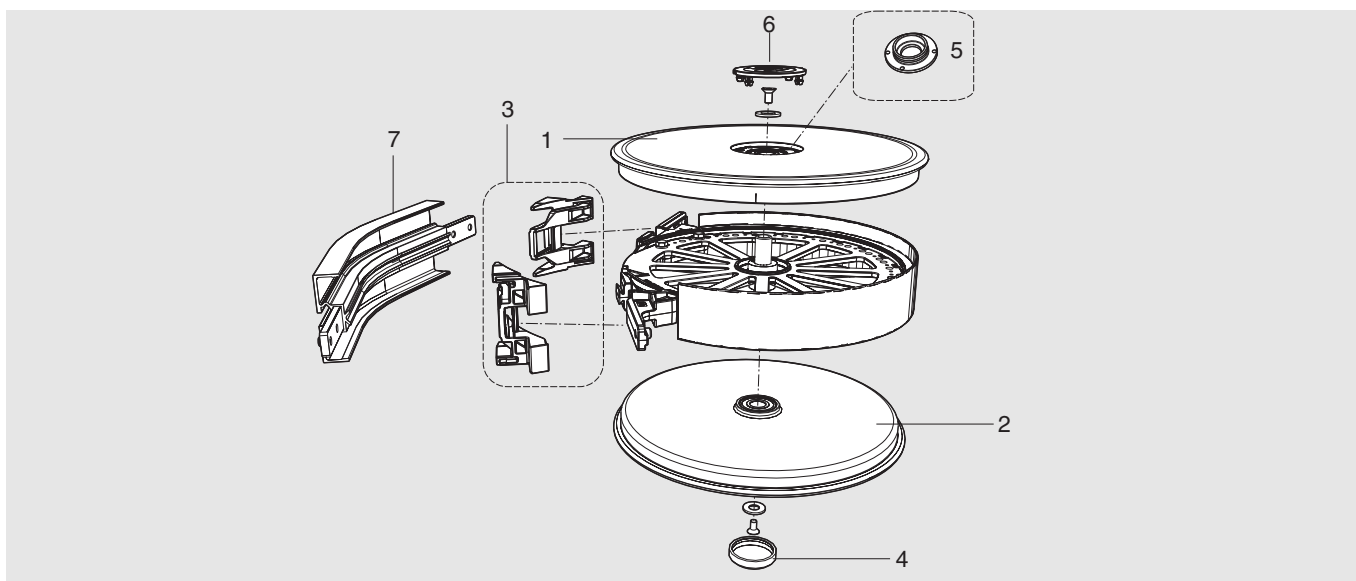


Wheel bends XSBH-, XLBH-, XBBH-, XMBH-, XHBH-, XKBH-, XTBH-

Revision list

Document designation	Date	Type of revision	Entered by
5392EN-1	07-12-05	Initial version	
5392EN-2	08-09-10		JE
5392EN-3	10-05-27		JE
5392EN-4	10-08-31	Added new column	CB

Complete wheel bend

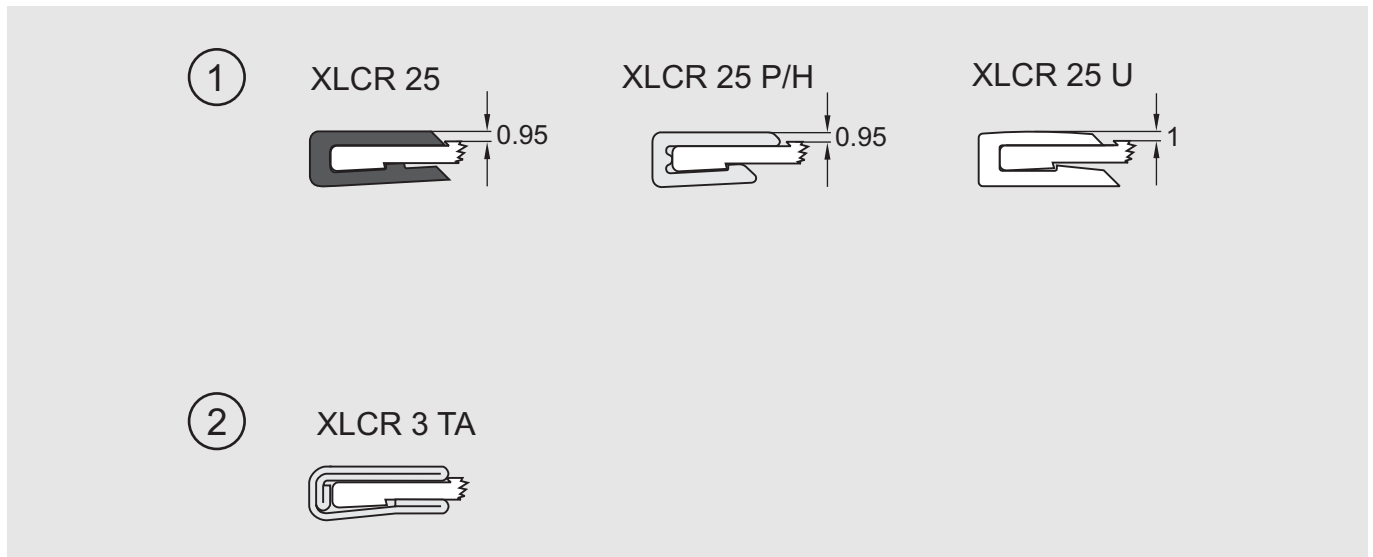


Item	Description	Part no						Recommended Spare parts	
		XS	XL type A	X85	XM type A	XH type A	XK		XT
1	Wheel disc* (upper)	3902168	5059247	5059247	5059247	5059247	3924966	5059247	
2	Wheel disc* (lower)	3902168	5059244	5059244	5059244	5059244	3924966	5059244	
3	Guides**	n.a.	5059235	5110507	5059236	5059237	n.a.	n.a.	X
4	Wheel cover	3901120	3901120	3901120	3901120	3901120	n.a.	3901120	
5	Adapter kit	n.a.	5058559	5058559	5058559	5058559	n.a.	5058559	
6	Wheel cover	5057697	5057697	5057697	5057697	5057697	n.a.	5057697	
7	Outer bend	XSBE 30R150	XLBE 30R150	XBBE 30A85R160	XMBE 30R160	XHBE 30R170	XKBE 30R200		
7	Outer bend	XSBE 45R150	XLBE 45R150	XBBE 45A85R160	XMBE 45R160	XHBE 45R170	XKBE 45R200		
7	Outer bend		XLBE 60R150		XMBE 60R160	XHBE 60R170			
7	Outer bend	XSBE 90R150	XLBE 90R150	XBBE 90A85R160	XMBE 90R160	XHBE 90R170	XKBE 90R200		
7	Outer bend	XSBE 180R150	XLBE 180R150	XBBE 180A85R160	XMBE 180R160	XHBE 180R170	XKBE 180R200		
7	Outer bend			XBBE EA85R160					
*	Including bearings								
**	One pair								



Spare parts Slide rails - XH

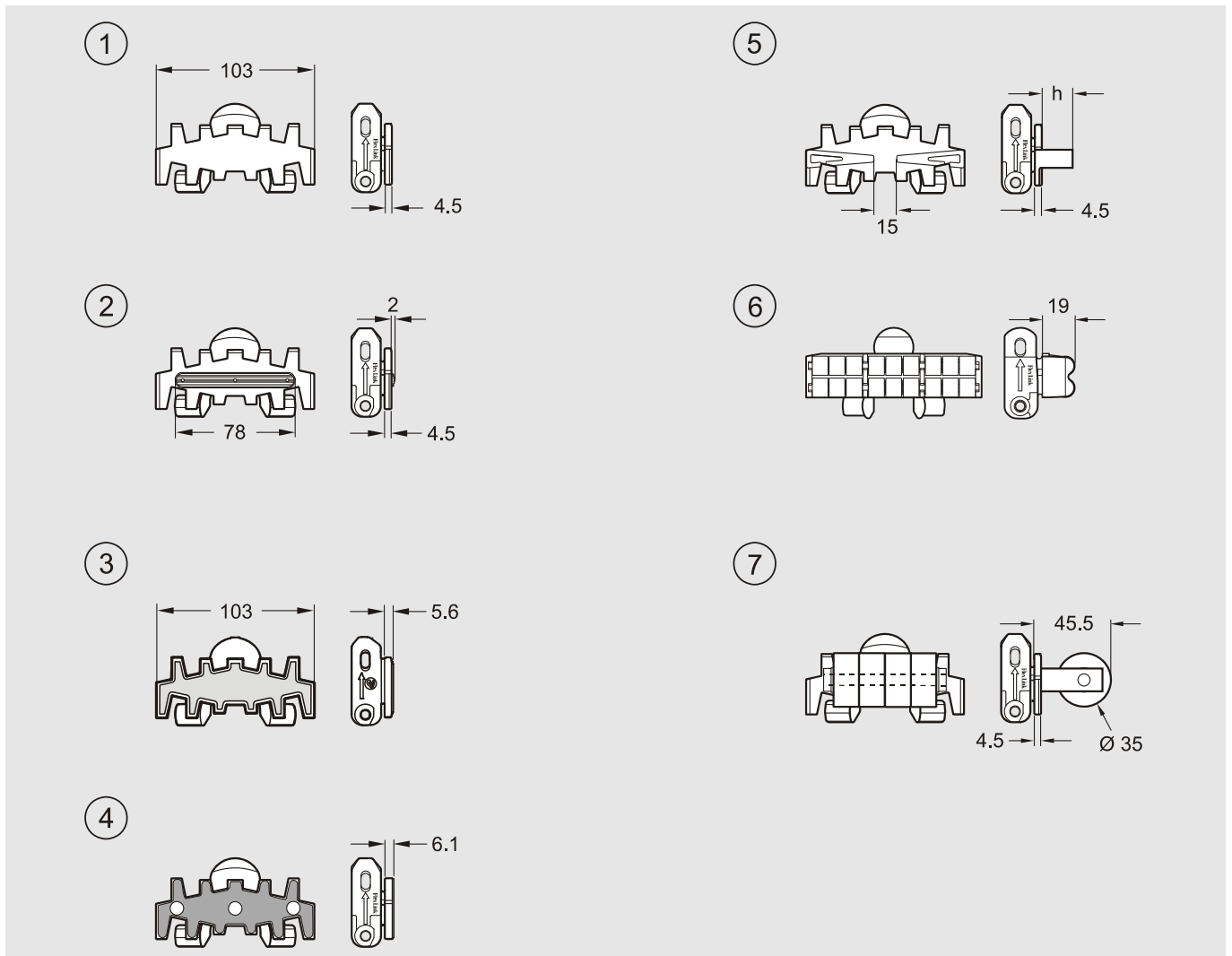
Slide rails – XH



Item	Description	Part No	Qty	Comments	Recommended Spare parts
1	Plastic slide rails for XL, XH beams				X
	HDPE ($\mu=0,1-0,25$) (Black)	XLCR 25			
	PVDF ($\mu=0,15-0,35$) (Transparent white)	XLCR 25 P			
	UHMW-PE ($\mu=0,1-0,25$) (White)	XLCR 25 U			
	PA-PE ($\mu=0,1-0,25$) (Grey)	XSCR 25 H			
2	Steel slide rail for XL, X85, XH beams				X
	Slide rail ($\mu=0,15-0,35$)	XLCR 3 TA		Acid resistant stainless steel	



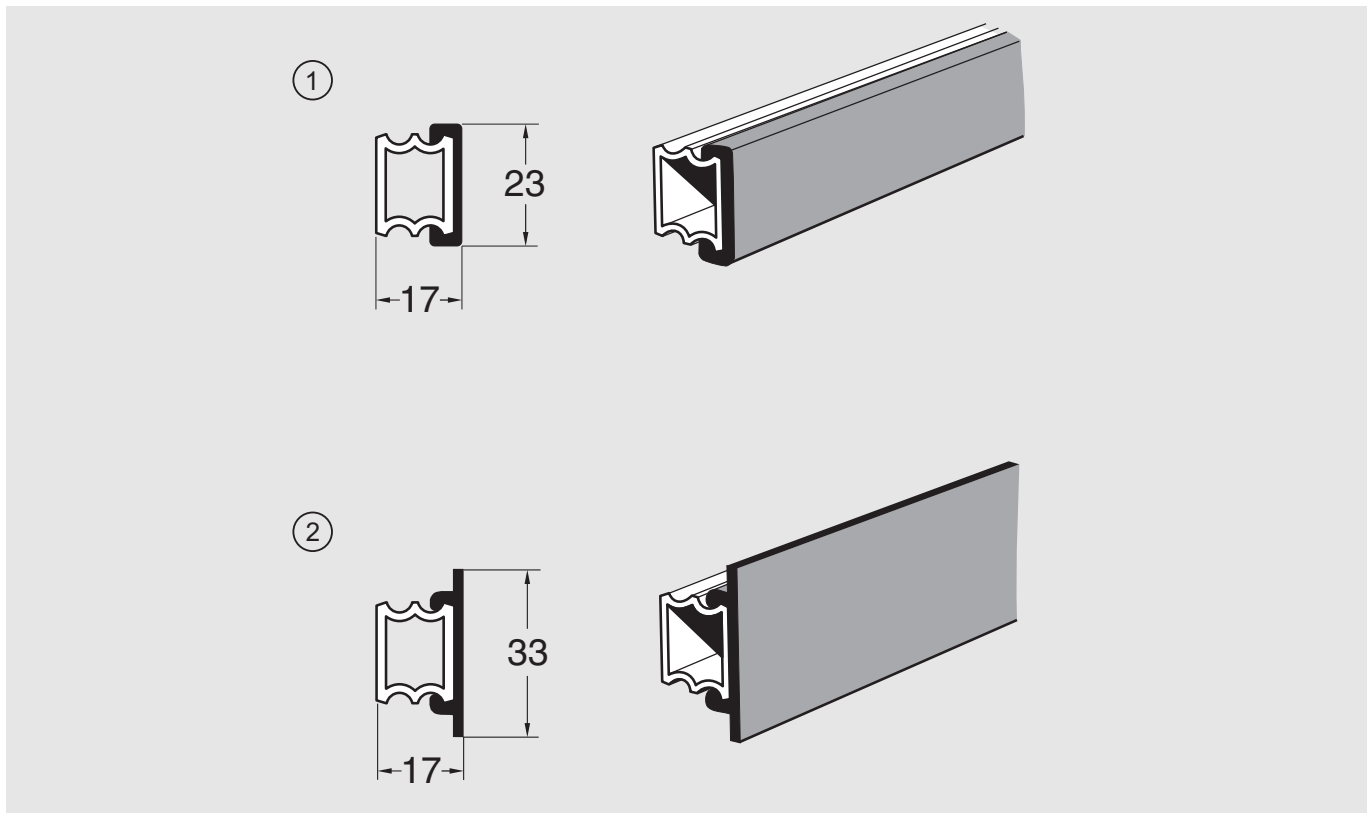
Spare parts Chains - XH



Item	Description	Part No	Qty	Comments	Recommended Spare parts (Based on previous chain in the Conveyor system)
1	Plain chain	XHTTP 5			X
	Plain link kit	5056312		Link kit contains 10 links, 10 pivots, 10 steel pins	
	Plain chain, (Ultra low wear)	XHTTP 5 C			
	Plain link (Ultra low wear)	n.a.			
2	Friction top chain	XHTTP 5 F#		Enter cleat frequency (1–10) instead of # in product designation	X
	Friction top link kit	5056593		Link kit contains 10 links, 10 pivots, 10 steel pins	
3	Flat top friction chain	XHTTP 5 FA			X
	Flat top friction link kit	5058544			
4	Steel top chain	XHTTP 5 TF			X
	Steel top link kit	5056594		Link kit contains 10 links, 10 pivots, 10 steel pins	
5	Cleated chain, Type A			Enter cleat frequency (1–20) instead of # in product designation	X
	h=15 mm	XHTF 5x15 A#			
	h=20 mm	XHTF 5x20 A#			
	h=30 mm	XHTF 5x30 A#			
	h=40 mm	XHTF 5x40 A#			
	Cleated link kit				
	h=15 mm	5056595		Link kit contains 10 links, 10 pivots, 10 steel pins	
	h=20 mm	5056596		Link kit contains 10 links, 10 pivots, 10 steel pins	
	h=30 mm	5056597		Link kit contains 10 links, 10 pivots, 10 steel pins	
	h=40 mm	5056598		Link kit contains 10 links, 10 pivots, 10 steel pins	
6	Roller top chain	XHTR 5			X
	Roller top link kit	5056603		This link cannot be combined with plain links. Link kit contains 10 links, 10 pivots, 10 steel pins	
7	Chain with roller cleats	XHTF 5x46 R#		Enter cleat frequency (1–20) instead of # in product designation	X
	Link kit with roller cleats	5056604		1 link XHTL 103x46 R with pivot and steel pin	



Spare parts Guide rail cover - XH



Item	Description	Part No	Qty	Comments	Recommended Spare parts
1	Guide rail cover for 15 mm aluminium guide rail				X
	Polyethylene, length 3 m	XLRT 3x23			
	UHMW-PE, length 3 m	XLRT 3x23 U			
2	Guide rail cover, flanged, for 15 mm aluminium guide rail				X
	Polyethylene, length 3 m, flanged	XLRT 3x33 D			

This page is intentionally left blank

Product designations in alphanumeric order

Part no	Page	Part no	Page	Part no	Page	Part no	Page
(3902527)	24	(3904862)	31	3920010	27	3924438	16
(3902527)	24	(3904862)	6	3920010	31	3924438	19
(3902661)	24	(3921163)	38	3920084	8	3924438	2
(3904234)	18	(3921164)	13	3920087	27	3924438	22
(3904234)	4	(3921164)	38	3920087	31	3924438	26
(3904299)	13	(3921287)	38	3920088	7	3924438	34
(3904299)	18	(3921684)	13	3920207	29	3924439	16
(3904299)	4	(3921685)	13	3920208	29	3924439	19
(3904312)	18	(3924634)	24	3920751	10	3924439	2
(3904312)	4	(3924757)	29	3920903	10	3924439	22
(3904313)	18	(3924757)	29	3920904	10	3924439	26
(3904313)	24	(3925066)	28	3921123	13	3924439	34
(3904313)	4	(3925067)	28	3921123	28	3924440	16
(3904403)	13	(3925673)	20	3921123	29	3924440	19
(3904403)	4	(3925673)	8	3921123	38	3924440	2
(3904665)	17	(3925718)	8	3921123	4	3924440	22
(3904665)	20	(3925875)	12	3921161	38	3924440	26
(3904665)	23	(6005 2RS1/C3)	13	3921162	38	3924440	34
(3904665)	3	(6202-2Z)	38	3921258	16	3924455	11
(3904665)	6	(6205 2RS1/C3)	4	3921258	19	3924455	16
(3904666)	17	(8x7-63)	13	3921258	2	3924455	19
(3904666)	20	(8x7-63)	4	3921258	22	3924455	2
(3904666)	23	3902723	36	3921258	26	3924455	22
(3904666)	3	3903339	35	3921258	34	3924455	26
(3904666)	6	3904139	18	3921463	27	3924455	30
(3904666)	6	3904140	13	3921463	6	3924455	9
(3904744)	18	3904140	18	3921464	27	3924662	27
(3904744)	24	3904140	38	3921464	6	3924847	27
(3904744)	4	3904140	4	3921481	27	3924975	24
(3904745)	18	3904431	12	3921638	16	3924989	28
(3904745)	4	3904431	17	3921638	19	3924989	29
(3904746)	18	3904431	20	3921638	2	3925001	29
(3904746)	4	3904431	23	3921638	22	3925027	31
(3904855)	10	3904431	27	3921638	26	3925028	31
(3904855)	12	3904431	3	3921638	34	3925029	28
(3904855)	17	3904431	6	3921652	8	3925029	29
(3904855)	20	3904527	12	3924197	11	3925035	30
(3904855)	23	3904527	17	3924197	16	3925063	28
(3904855)	27	3904527	20	3924197	19	3925068	31
(3904855)	3	3904527	3	3924197	2	3925069	31
(3904855)	31	3904528	12	3924197	22	3925259	30
(3904855)	6	3904528	17	3924197	26	3925260	30
(3904862)	10	3904528	20	3924197	9	3925261	30
(3904862)	12	3904528	3	3924287	10	3925262	30
(3904862)	17	3905278	27	3924287	12	3925263	30
(3904862)	20	3905278	6	3924287	27	3925264	30
(3904862)	23	3905610	27	3924287	3	3925332	31
(3904862)	27	3905610	31	3924287	31	3925333	31
(3904862)	3	3905610	6	3924287	6	3925334	31

Part no	Page	Part no	Page	Part no	Page	Part no	Page
3925336	27	5044938	22	5054000	35	5111599	6
3925336	31	5044938	26	5054000	6	5111600	10
3925469	20	5044938	34	5054001	31	5111600	12
3925718	20	5044939	16	5054002	31	5111600	17
3925957	30	5044939	19	5054003	8	5111600	20
3926277	18	5044939	2	5056312	48	5111600	23
3926279	17	5044939	22	5056593	48	5111600	27
3926310	17	5044939	26	5056594	48	5111600	3
3926311	18	5044939	34	5056595	48	5111600	31
3926374/		5044940	16	5056596	48	5111600	6
3927191	10	5044940	19	5056597	48	5111608	12
3926375	10	5044940	2	5056598	48	5111621	24
3926450	36	5044940	22	5056603	48	5111622	18
3926575	36	5044940	26	5056604	48	5111622	24
3926577	36	5044940	34	5056817	10	5111622	4
3926586	35	5044948	16	5056817	12	5111623	24
3926716	36	5044948	19	5056817	17	5111625	38
3926718	36	5044948	2	5056817	20	5111626	13
3926754	35	5044948	22	5056817	23	5111626	38
3926790	24	5044948	26	5056817	27	5111627	13
3926791	24	5044948	34	5056817	3	5111627	4
3927119	24	5044972	30	5056817	35	5111628	18
3927121	24	5044973	30	5056817	6	5111628	4
3927122	24	5044974	30	5056820	10	5111629	18
3927180	24	5044975	30	5056820	12	5111629	4
3927181	24	5044976	30	5056820	17	5111627	18
5043154	31	5044977	30	5056820	20	5111632	13
5044695	20	5044980	30	5056820	23	5111632	4
5044935	16	5045367	30	5056820	27	5111634	13
5044935	19	5046915	20	5056820	3	5111648	29
5044935	2	5046917	20	5056820	35	5111649	28
5044935	22	5051421	28	5056820	6	XHBE 180R170	36
5044935	26	5051421	29	5058544	48	XHEB 0 HL/HLA	2
5044935	34	5053981	10	5111566	17	XHEB 0	
5044936	16	5053981	12	5111566	20	HLD/HLAD-	19
5044936	19	5053981	17	5111566	23	XHEB 0	
5044936	2	5053981	20	5111566	3	HLD/HLAD106	16
5044936	22	5053981	23	5111566	6	XHEB 0 HLDU-	20
5044936	26	5053981	27	5111581	20	XHEB 0	
5044936	34	5053981	3	5111581	8	HLDU106	17
5044937	16	5053981	35	5111598	8	XHEB 0	
5044937	19	5053981	6	5111599	10	HLG/HLAG	11
5044937	2	5054000	10	5111599	12	XHEB 0 HLGU	12
5044937	22	5054000	12	5111599	17	XHEB 0	
5044937	26	5054000	17	5111599	20	HLJ/HLAJ	5
5044937	34	5054000	20	5111599	23	XHEB 0	
5044938	16	5054000	23	5111599	27	HLP/HLAP 7	
5044938	19	5054000	27	5111599	3	XHEB 0 HLU	10
5044938	2	5054000	3	5111599	31	XHEB 0 HLU	27
						XHEB 0 HLU	3

<http://www.flexlink.com>

Part no	Page	Part no	Page
XHEB 0 HLU	6	XLCR 25 U	45
XHEB 0 HLU	8	XLCR 3 TA	45
XHEB 0 HNLP	39	XLRT 3×23 U	49
XHEB 0 HNRP	39	XLRT 3×33 D	49
XHEB 0 HR/HRA	2	XSCR 25 H	45
XHEB 0 HRD/HRAD-	19		
XHEB 0 HRD/HRAD106	16		
XHEB 0 HRDU-	20		
XHEB 0 HRDU106	17		
XHEB 0 HRG/HRAG	11		
XHEB 0 HRGU	12		
XHEB 0 HRJ/HRAJ	5		
XHEB 0 HRP/HRAP	7		
XHEB 0 HRU	10		
XHEB 0 HRU	27		
XHEB 0 HRU	3		
XHEB 0 HRU	6		
XHEB 0 HRU	8		
XHEC 0 HL/HLA	26		
XHEC 0 HR/HRA	26		
XHEH 0 HL/HLA	9		
XHEH 0 HR/HRA	9		
XHEJ 325	6		
XHER 0 HL/HLA	22		
XHER 0 HLU	23		
XHER 0 HR/HRA	22		
XHER 0 HRU	23		
XHEW 180/0 H/HA	34		
XHEW 180/0 HU	35		
XHTF 5x15 A#	48		
XHTF 5x20 A#	48		
XHTF 5x30 A#	48		
XHTF 5x40 A#	48		
XHTF 5x46 R#	48		
XHTP 5	48		
XHTP 5 C	48		
XHTP 5 F#	48		
XHTP 5 FA	48		
XHTP 5 TF	48		
XHTR 5	48		
XKEC 0 HL/HLA	30		
XKEC 0 HR/HRA	30		
XLCR 25	45		
XLCR 25 P	45		

For the latest technical documents visit www.flexlink.com to download product catalogues, manuals and instructions. Register for a MyFlexLink account and get 24/7 access to CAD drawings, engineering tools and order online.

www.flexlink.com

Australia

FlexLink Systems Pty Ltd
Mount Waverley VIC
☎ +61-3-9542 4400
info.au@flexlink.com

Belgium

FlexLink Systems N.V.
Leuven
☎ +32-(0)16-40 82 66
info.be@flexlink.com

Brazil

FlexLink Systems Ltda
Barueri SP
☎ +55 11 4196-3400
info.br@flexlink.com

Canada

FlexLink Systems Canada, Inc.
Burlington, ON
☎ +1-888-748-8677
info.ca@flexlink.com

China

FlexLink Automation
Shanghai
☎ +86-(0)21-641 183 06
info.cn@flexlink.com

Czech Republic

FlexLink Systems
Praha
☎ +420-721 858 123
info.cz@flexlink.com

Finland

FlexLink Systems
Helsinki
☎ +358-9-788 832
info.fi@flexlink.com

France

FlexLink Systems SAS
Elancourt cedex
☎ + 33-(0)1 30 68 53 50
info.fr@flexlink.com

Germany

FlexLink Systems GmbH
Offenbach
☎ +49-69-83832 0
info.de@flexlink.com

Hungary

FlexLink Systems Kft.
Budapest
☎ +36-1-3994 295
info.hu@flexlink.com

India

FlexLink Systems India Pvt. Ltd.
Gurgaon
☎ +91-124 427 8844
info.in@flexlink.com

Indonesia

PT FlexLink Systems
Jakarta
☎ +62 21 3904335
info.id@flexlink.com

Italy

FlexLink Systems S.p.A.
Cascine Vica
☎ +39-011-9518 411
info.it@flexlink.com

Japan

FlexLink Systems K.K.
Tokyo
☎ +81-(0)3-3297 0761
info.jp@flexlink.com

Malaysia

FlexLink Automation Sdn Bhd
Shah Alam
☎ +603-7859 1889
info.my@flexlink.com

The Netherlands

FlexLink Systems B.V.
Hoofddorp
☎ +31-(0)23-554 31 00
info.nl@flexlink.com

Poland

FlexLink Systems Polska Sp. z o.o.
Sady
☎ +48-61-654 7650
info.pl@flexlink.com

Russia

FlexLink Systems LLC
St. Petersburg
☎ +7-(812)-448-32-31
info.ru@flexlink.com

Singapore

FlexLink Systems Pte Ltd
Singapore
☎ +65-6890 6735
info.sg@flexlink.com

Spain

FlexLink Systems España, S.L.
Barcelona
☎ +34-93-680 41 00
info.es@flexlink.com

Sweden

FlexLink Systems AB
Göteborg
☎ +46-(0)31-337 31 00
info.se@flexlink.com

Thailand

FlexLink Systems Pte Ltd
Bangkok
☎ +66-2-694 1717
info.th@flexlink.com

United Kingdom

FlexLink Systems Ltd
Milton Keynes
☎ +44-(0)1908-327 200
info.uk@flexlink.com

USA

Main office
FlexLink Systems, Inc.
Allentown, PA
☎ +1 (610) 973-8200
info.us@flexlink.com

South

FlexLink Systems, Inc.
Greenville, SC
☎ +1 (864) 335-0550

West

FlexLink Systems, Inc.
Plano, TX
☎ +1 (972) 312-9504

Your business partner: