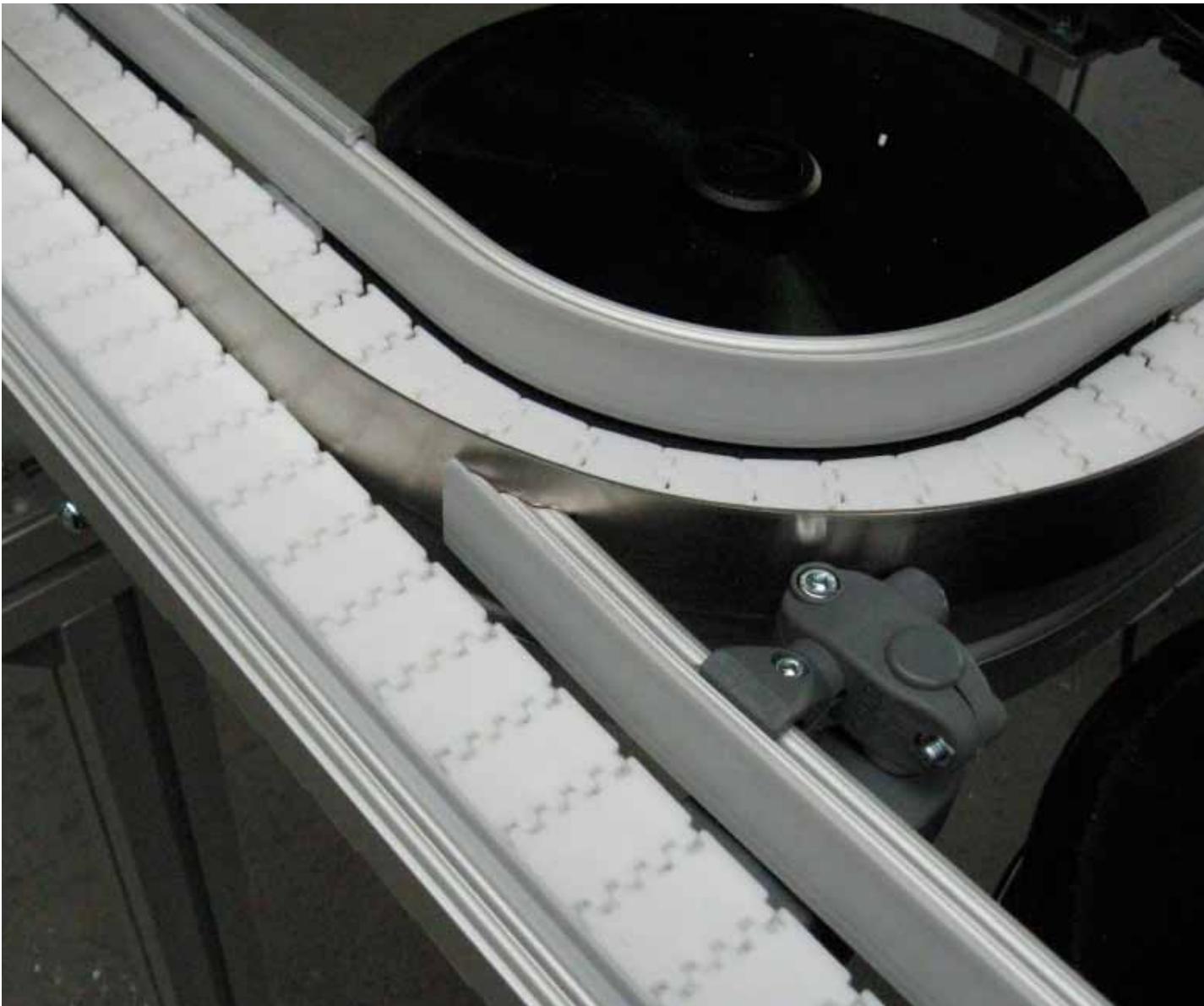




XS SPARE PARTS



CONVEYOR AND PALLET HANDLING SYSTEMS

© Copyright FlexLink 2011

The contents of this publication are the copyright of the publishers and may not be reproduced (even extracts) unless permission is granted. Every care has been taken to ensure the accuracy of the information but no liability can be accepted for any errors or omissions. The right is reserved to make design modifications.

Patents

Essential parts of the FlexLink product range are protected by patents and design regulations.
Drawings are made to European standards.

Content

Complete unit – XSEB_L/R/LA/RA	2
Complete unit – XSEB_HLAP/HRAP	5
Complete unit – XSEH_HL/HR/HLA/HRA	7
Double drive unit (c/c 55 mm)	10
Double drive unit (c/c 90-350 mm)	13
Horizontal bend drive unit XS	15
Idler end unit - XS	19
Wheel bends XSBH-, XLBH-, XBBH-, XMBH-, XHBH-, XKBH-, XTBH-	21
Spare parts Slide rails - XS	23
Spare parts Chains - XS	27
Spare parts Guide rail cover - XS	29
Product designations in alphanumeric order	31

1. How to read the catalogue: Open the catalogue and from the Table of content or the PDF navigation bar locate the group in which the part you want to find is present. Turn over to the concerned page number by a "click". Now find out the figure of the part you wish to order. Jot down the part number against that particular figure number from the text. In case, if you have the part number and you need the other details, the part index can be used. The part index (at the end of the catalogue) will give you the figure and page number of the part you wish to order.

2. How to order spare parts: The part number and the description of the part required should be invariably mentioned in the order as per the catalog text. The latest part number as conveyed through our service circulars should only appear on the order. In case of ordering colored components, color code of the components should be mentioned. The quantity shown against the part number is the quantity per unit for that group so that particular quantity should be multiplied by the number of sets required.

3. Abbreviations: The following abbreviations are used in this catalog:

assly.	Assembly
V	Volts
N.I.	Not illustrated
W	Watt
Comp.	Complete
Fr	Front
Std.	Standard
L	Length
A/t.	Alternate
Rr	Rear
L.H.	Left hand
R.H.	Right hand
AR	As required
<i>(Part number)</i> Part number presented in "parantheses" and in Italic character style	Parts are included in a Spare parts kit.
*)	These items can only be purchased as part of a kit and when an item has an * the corresponding item always is placed between brackets (..) see above.
Recomended Spare part	Parts which are usually kept in stock and have short turnaround (See item 4)

4. Recomendded Spare parts:

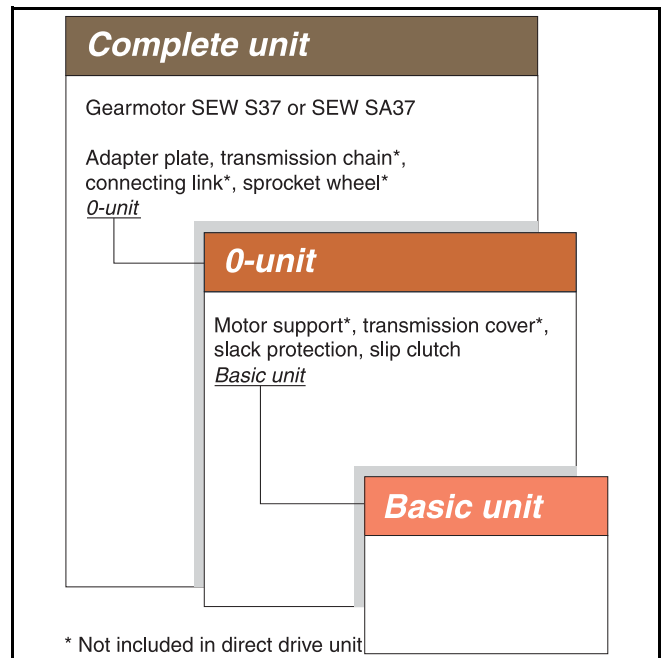
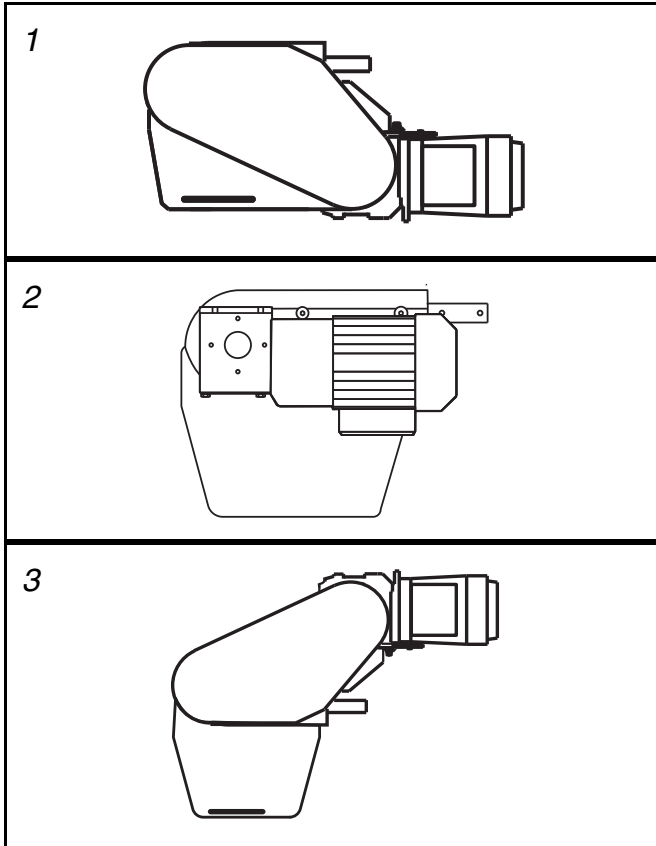
Several items of the complete spare parts overview are ear-marked as recommended spare parts. FlexLink advises its customers to purchase and stock these specific items for replacement in case of failure of the original item. The recommended spares are limited to only these items for which the cost of buying is in a fair relationship to the risk (i.e. probability * impact) of sudden failure. It merely consists of wear parts and some electrical and pneumatic components.



End drive unit - XS

Revision list

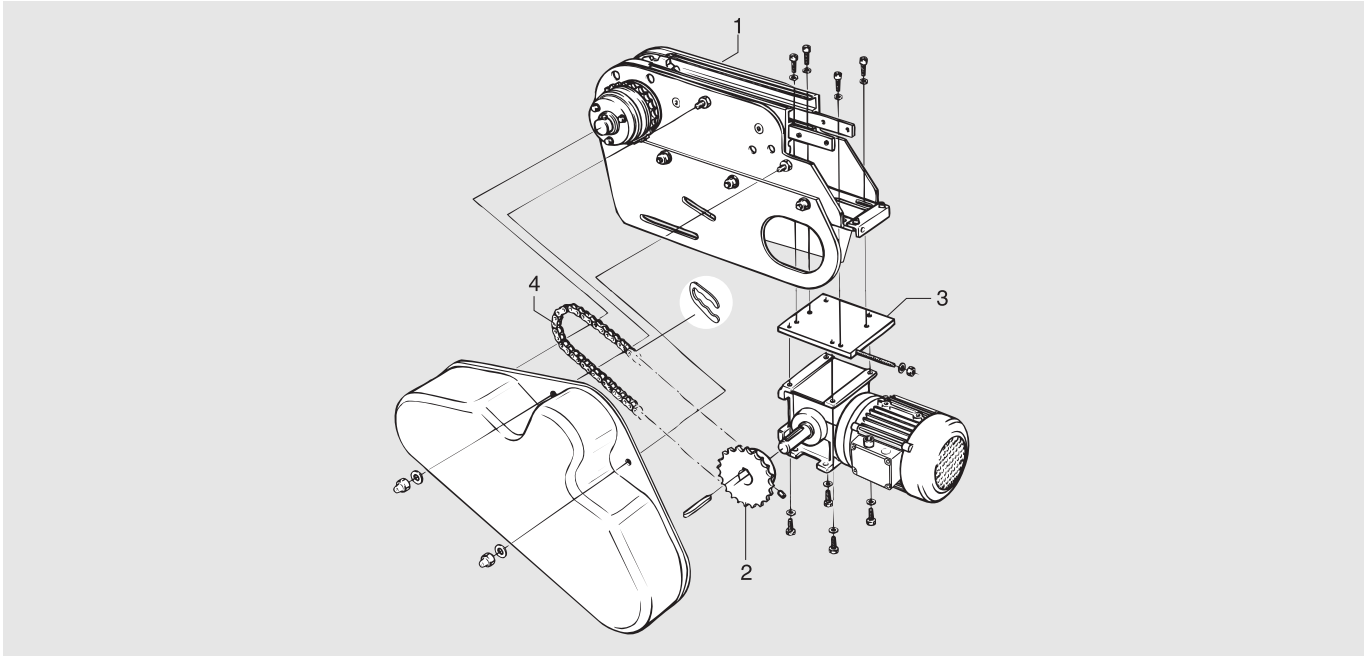
Document designation	Date	Type of revision	Entered by
XS001-E1	98-10-14	New version	Enator Inforum
XS001-E2	01-04-24	Split into 3 doc	KL
XS001-E3	08-10-30	Spare part kits added 3 doc => 1 doc	JE
XS001-E4	09-03-19		JE
XS001-E5	10-07-16	Added new column	CB



End drive unit

Complete unit – XSEB _L/R/LA/RA

For SEW S37 gearmotor



Item	Description	Part No	Qty	Comments	Recommended Spare parts
1	0-unit (left-hand version)	XSEB 0 HL/HLA	1	See next page for details	
	0-unit (right-hand version)	XSEB 0 HR/HRA	1	See next page for details	
	Motor alternative, see Drive unit guide 5014				
2	Sprocket wheel 1/2" including grub screw		1	See table below	X
3	Adapter plate including bolts and washers	3921763	1	For SEW S37 gearmotor	
	Adapter plate	3921761	1	Blind adapter plate	
4	Transmission chain 1/2" including connecting link	3921638	1	ISO/R- 1967- 08B- 1 (ISO)	X
	Transmission chain 1/2" including connecting link	5044948	1	ISO/R- 1967- 08A- 1 (ANSI)	X

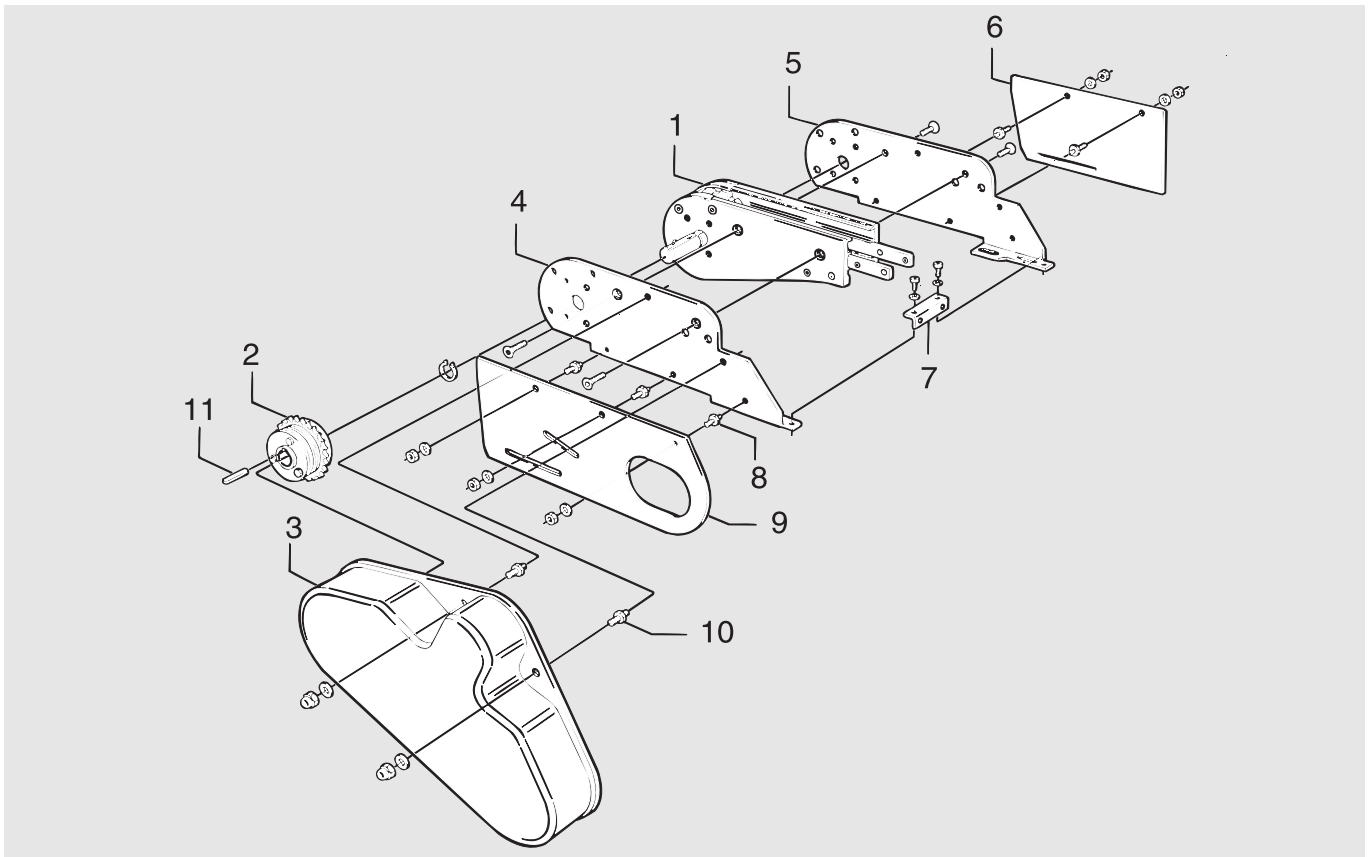
Important

Items 2-4 must be ordered separately when ordering a 0-unit (item 1). The sprocket wheel (item 2) should be specified in accordance with the following table:

Sprocket wheel 1/2"	Part No (SEW)
z ₁ =19	3924438
z ₁ =21	3924439
z ₁ =23	3924440
z ₁ =25	3921258
z ₁ =15 ANSI	5044935
z ₁ =17 ANSI	5044936
z ₁ =19 ANSI	5044937
z ₁ =21 ANSI	5044938
z ₁ =23 ANSI	5044939
z ₁ =25 ANSI	5044940

End drive unit

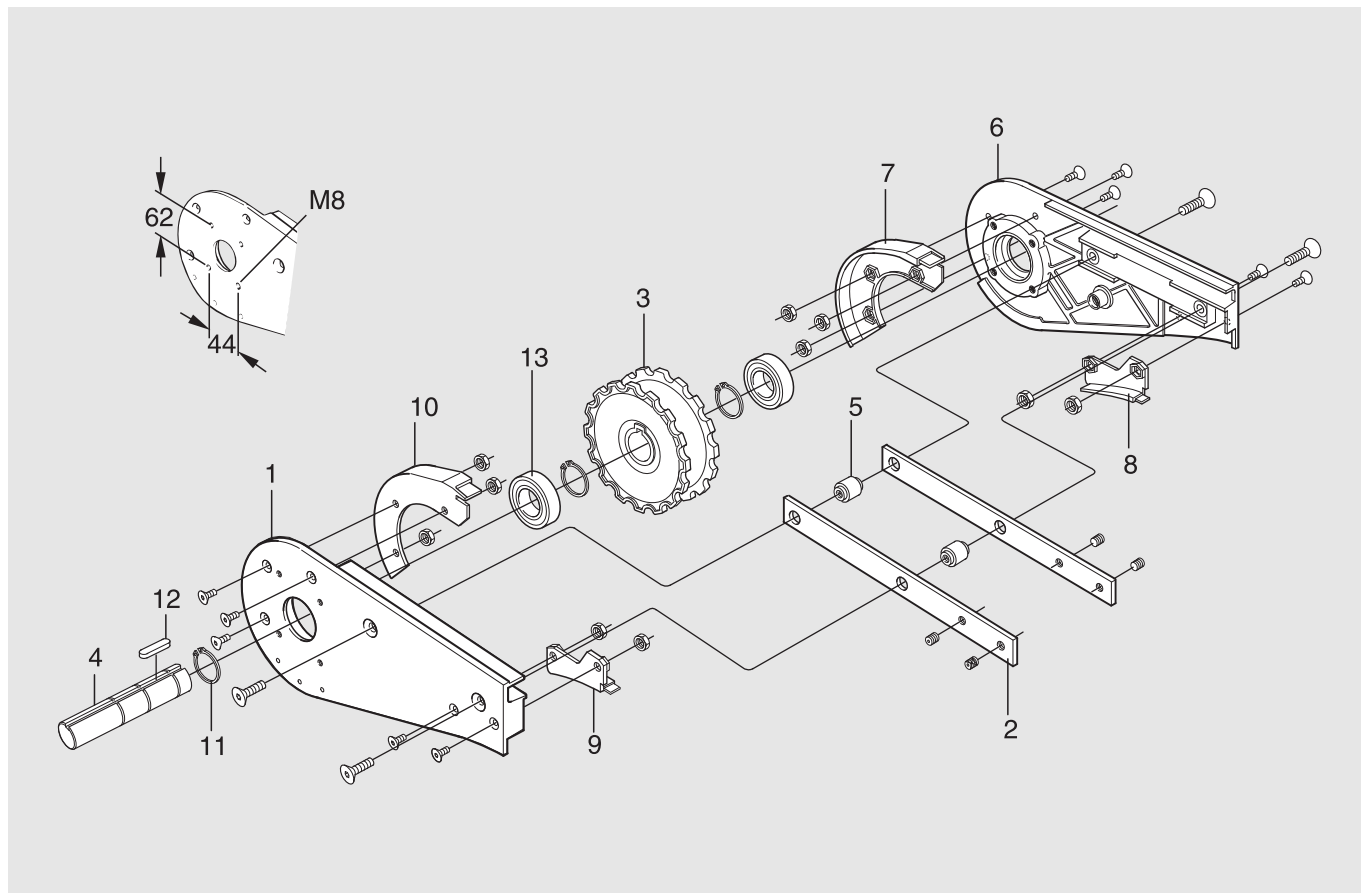
0-unit – XSEB 0 HL/HR/HLA/HRA



Item	Description	Part No	Qty	Comments	Recommended Spare parts
1	Basic unit (left-hand version)	XSEB 0 HLU	1	See next page for details	
	Basic unit (right-hand version)	XSEB 0 HRU	1	See next page for details	
2	Slip clutch Ø25 mm	5053981	1	ISO	
	-Slip clutch, Spare parts kit	5056817	1	ISO, incl. cup spring, ball, chain wheel.	X
	Slip clutch Ø25 mm	5054000	1	ANSI	
	-Slip clutch, Spare parts kit	5056820	1	ANSI, incl. cup spring, ball, chain wheel.	X
3	Transmission cover	3904431	1		
4	Motor bracket L	3921751	1		
5	Motor bracket R	3921752	1		
6*	Slack protection	(3904665)	1	See kit below	
7	Adjusting block	3921753	1		
8*	Screw	(3904862)	5	See kit below	
9*	Slack protection	(3904666)	1	See kit below	
10*	Screw	(3904855)	2	See kit below	
11	Thin parallel key	8x7-40	1	DIN 6885A h9	
*) 6+9	Slack protection kit	5111566	1		
*) 8	Distance screw kit	5111600	1	Kit contains 10 pcs	
*) 10	Distance screw kit	5111599	1	Kit contains 10 pcs	

End drive unit

Basic unit – XSEB 0 HLU/HRU

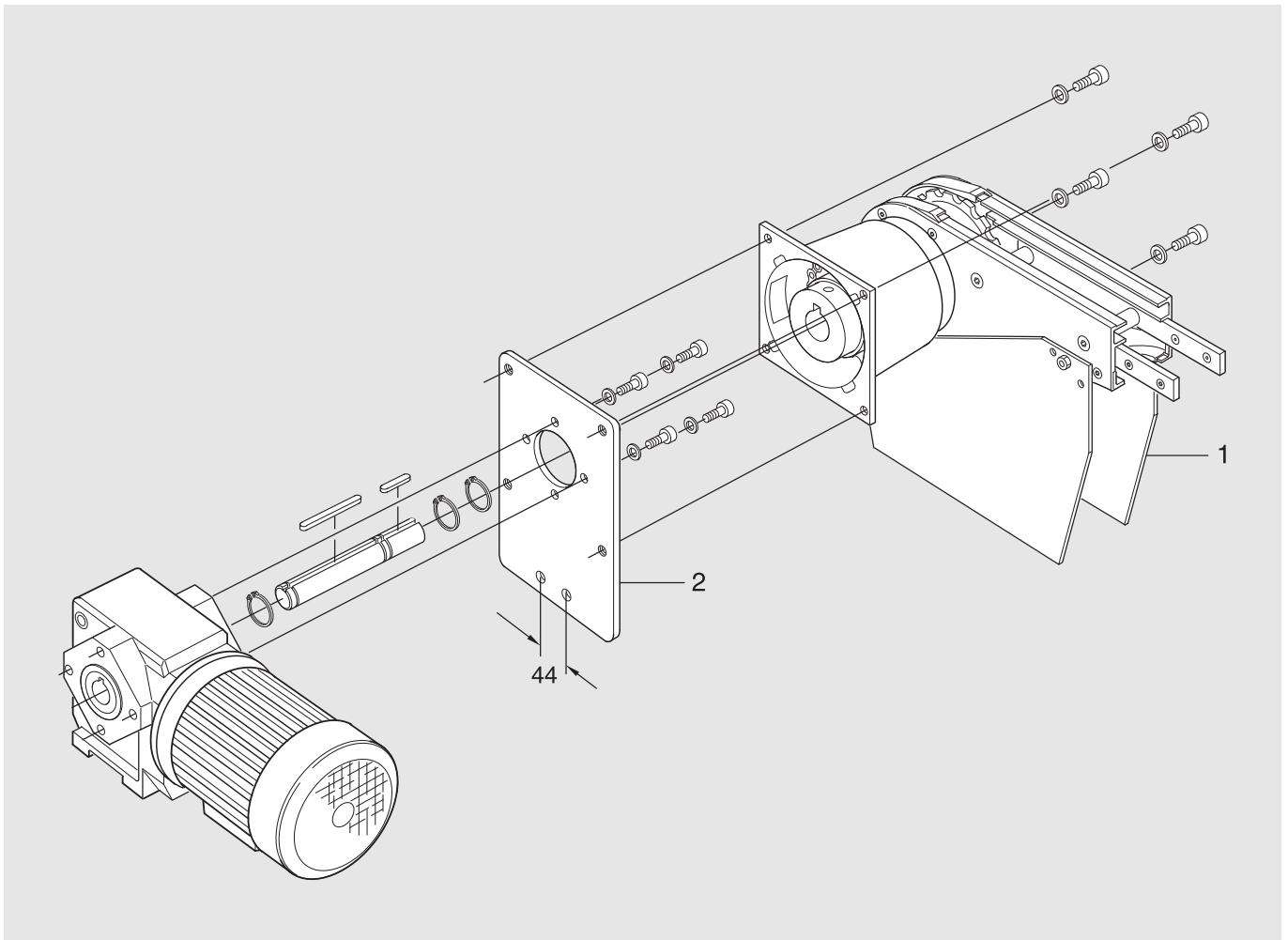


Item	Description	Part No	Qty	Comments	Recommended Spare parts
1*	Side plate L	(3921745)	1	See kit below	
2	Connecting strip	3921738	2		
3	Drive wheel	5111642	1	(3921735)	X
4	Drive shaft	3921741	1		
5	Spacer	3921917	2		
6*	Side plate R	(3921744)	1	See kit below	
7*	Steering guide R	(3921739)	1	See kit below	
8*	Guide R	(3921736)	1	See kit below	
9*	Guide L	(3921737)	1	See kit below	
10*	Steering guide L	(3921740)	1	See kit below	
11	Retaining ring	SgA 25	3	DIN 471	
12	Thin parallel key	8x7-20	1	DIN 6885A h9	
13	Bearing	6005-2RS1/C3	2		
*) 1+6	Side plate kit	5111639	1	LH+RH	
*) 7+10	Spare parts kit, Steering guide	5111640	1	LH+RH	X
*) 8+9	Spare parts kit, Guides	5111641	1	LH+RH	X

End drive unit, direct drive

Complete unit – XSEB_ H LAP/HRAP

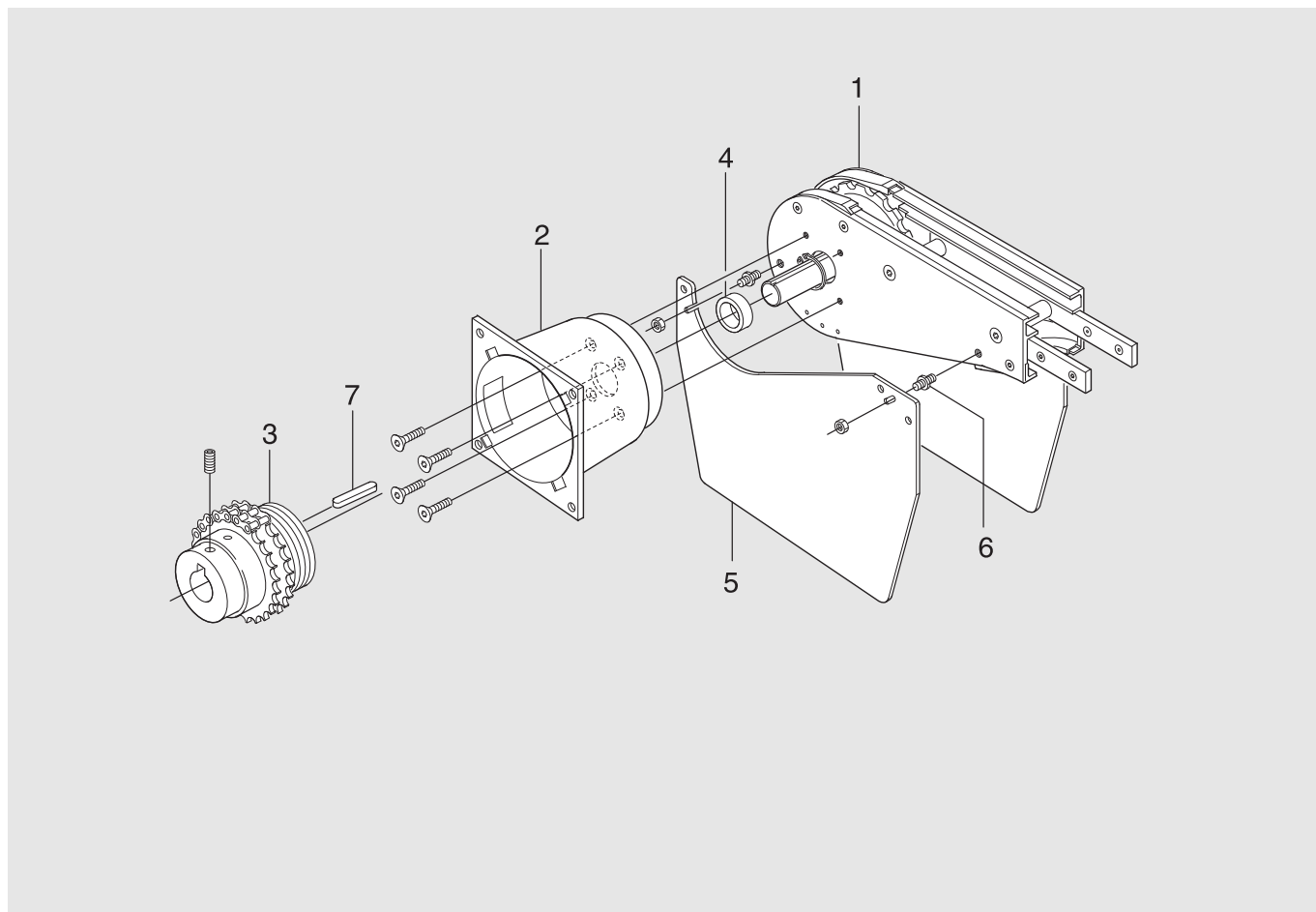
For SEW SA37 gearmotor



Item	Description	Part No	Qty	Comments	Recommended Spare parts
1	0-unit (left-hand version)	XSEB 0 HLP/HLAP	1	See next page for details	
	0-unit (right-hand version)	XSEB 0 HRP/HRAP	1	See next page for details	
	Motor, see Drive unit guide 5014				
2	Adapter plate incl. bolts, washers and shaft	3920088	1		

End drive unit, direct drive

0-unit – XSEB 0 HLP/HRP/HLAP/HRAP

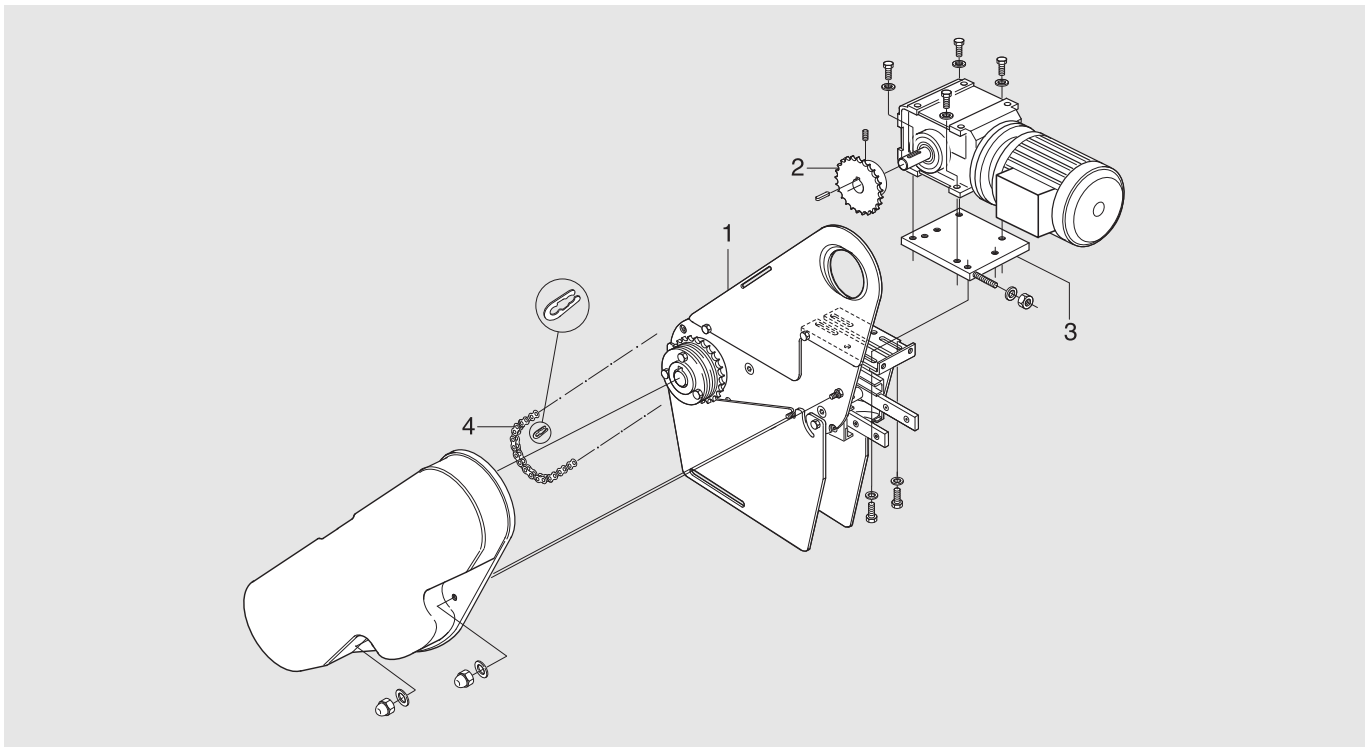


Item	Description	Part No	Qty	Comments	Recommended Spare parts
1	Basic unit (left-hand version)	XSEB 0 HLU	1	See page 4 for details	
	Basic unit (right-hand version)	XSEB 0 HRU	1	See page 4 for details	
2	Flange	3920084	1		
3	Slip clutch Ø20–Ø25 mm	5054003	1		X
4	Distance ring	3921652	1		
5*	Slack protection	(3925673)	2	See kit below	
6*	Screw	(3925718)	4	See kit below	
7	Thin parallel key	8x7–40	1	DIN 6885 A h9	
*) 5	Slack protection kit	5111581	1		
*) 6	Distance screw kit	5111598	1	Kit contains 10 pcs	

End drive unit, overhead motor

Complete unit – XSEH_HL/HR/HLA/HRA

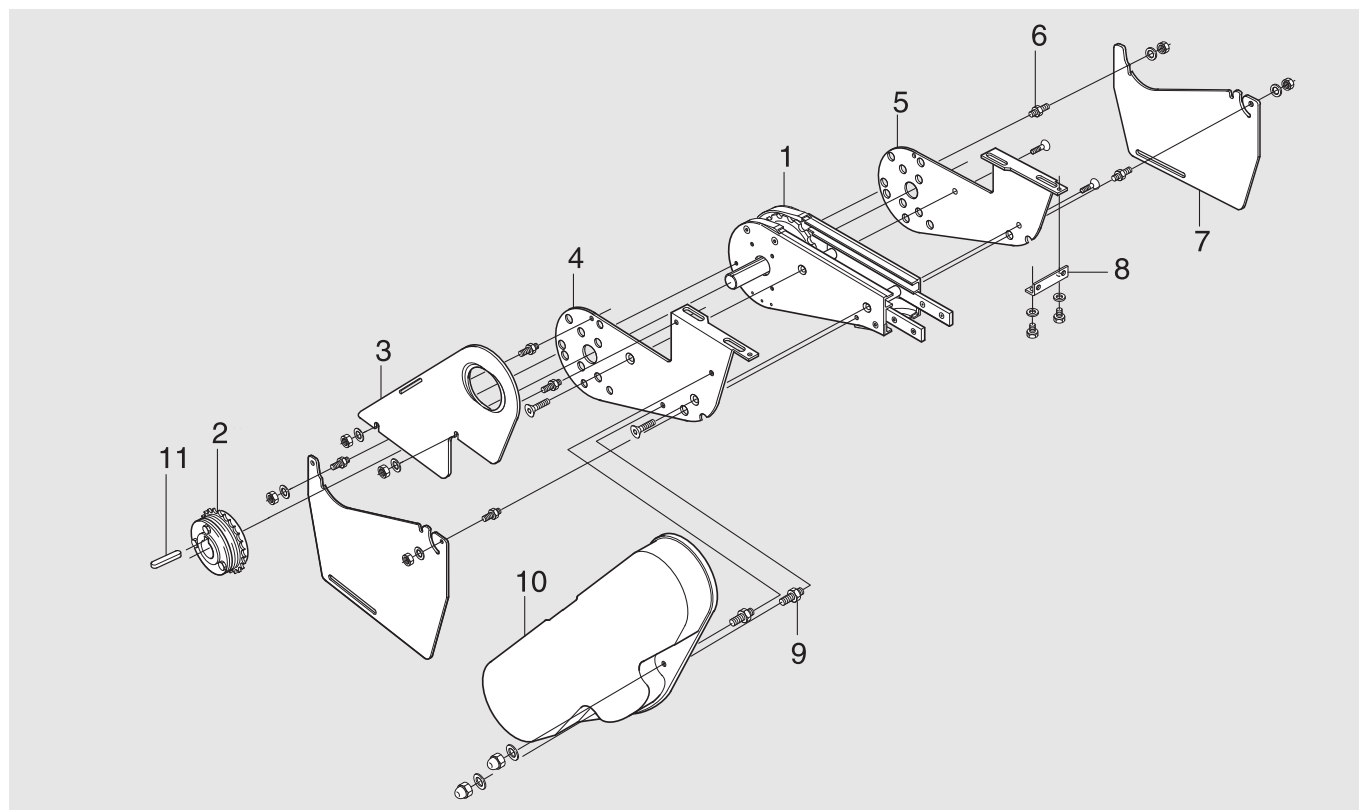
For SEW S37 gearmotor



Item	Description	Part No	Qty	Comments	Recommended Spare parts
1	0-unit (left-hand version)	XSEH 0 HL/HLA	1	See next page for details	
	0-unit (right-hand version)	XSEH 0 HR/HRA	1	See next page for details	
	Motor, see Drive unit guide 5014				
2	Sprocket wheel 1/2" including grub screw	See page 2	1		X
3	Adapter plate including bolts and washers	3921763	1	For SEW S37 gearmotor	
	Adapter plate	3921761	1	Blind adapter plate	
4	Transmission chain 1/2" including connecting link	See page 2	1		X
	Transmission chain 1/2" including connecting link	See page 2	1		X

End drive unit, direct drive

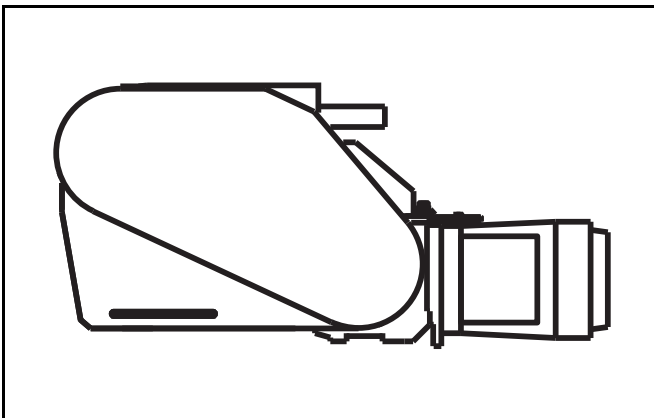
0-unit – XSEH 0 HL/HR/HLA/HRA



Item	Description	Part No	Qty	Comments	Recommended Spare parts
1	Basic unit (left-hand version)	XSEB 0 HLU	1	See page 4 for details	
	Basic unit (right-hand version)	XSEB 0 HRU	1	See page 4 for details	
2	Slip clutch Ø25 mm	5053981	1	ISO	
	-Slip clutch, Spare parts kit	5056817	1	ISO, incl. cup spring, ball, chain wheel.	X
	Slip clutch Ø25 mm	5054000	1	ANSI	
	-Slip clutch, Spare parts kit	5056820	1	ANSI, incl. cup spring, ball, chain wheel.	X
3	Safety guard	3920751	1		
4	Motor bracket L	3926390	1		
5	Motor bracket R	3926389	1		
6*	Screw	(3904862)	6	See kit below	
7	Slack protection	3926375	2		
8	Adjusting block	3921753	1		
9*	Screw	(3904862)	6	See kit below	
10	Transmission cover	3926374/3927191	1	Need to be adjusted: 3926374 Right 3927191 Left	
11	Thin parallel key	8x7-25	1	DIN 6885A h9	
*) 6	Distance screw kit	5111600	1	Kit contains 10 pcs	
*) 9	Distance screw kit	5111599	1	Kit contains 10 pcs	

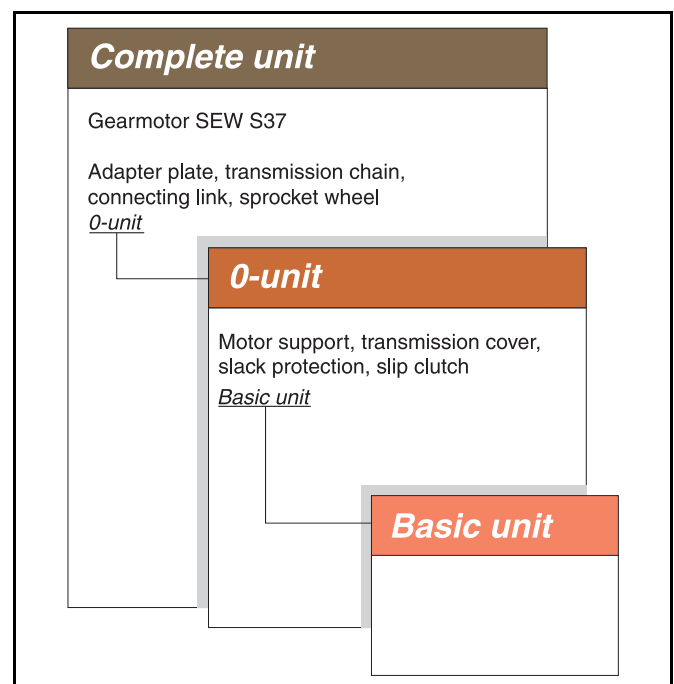


Double drive unit - XS



Revision list

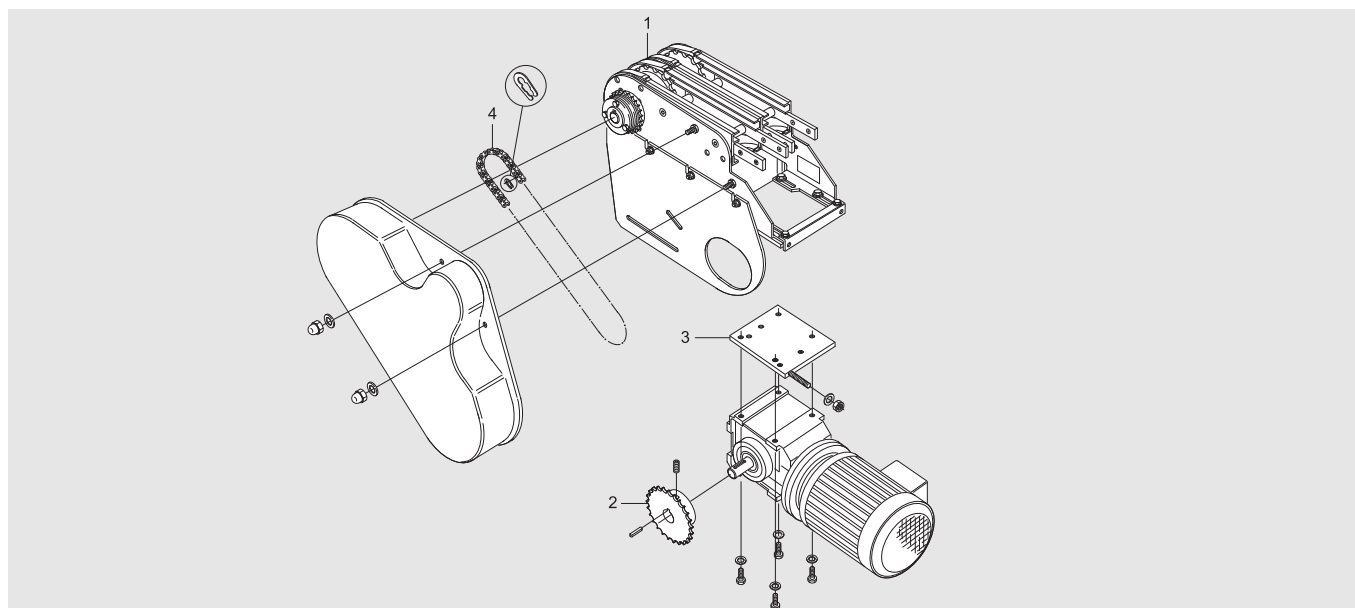
Document designation	Date	Type of revision	Entered by
XS002-E1	98-10-14	New version	Enator Inforum
XS002-E2	99-09-10	Double drive unit (c/c55 mm)	TietoEnator
XS002-E3	08-10-31	Spare part kits added	JE
XS002-E4	09-03-19		JE
XS002-E5	10-08-16	Added new column	CB



Double drive unit (c/c 55 mm)

Complete unit – XSEB _HLD55/HRD55/HLAD55/HRAD55*

For SEW S37 gearmotor



Item	Description	Part No	Qty	Comments	Recommended Spare parts
1	0-unit (left-hand version)	XSEB 0 HLD55/HLAD55	1	See next page for details	
	0-unit (right-hand version)	XSEB 0 HRD55/HRAD55	1	See next page for details	
2	Sprocket wheel 1/2" including grub screw		1	See table below	X
3	Adapter plate including bolts and washers	3921763	1	For SEW S37 gearmotor	
	Adapter plate	3921761	1	Blind plate	
4	Transmission chain 1/2" including connecting link	3921638	1	ISO/R- 1967- 08B- 1 (ISO)	X
	Transmission chain 1/2" including connecting link	5044948	1	ISO/R- 1967- 08A- 1 (ANSI)	X

* c/c 55 mm

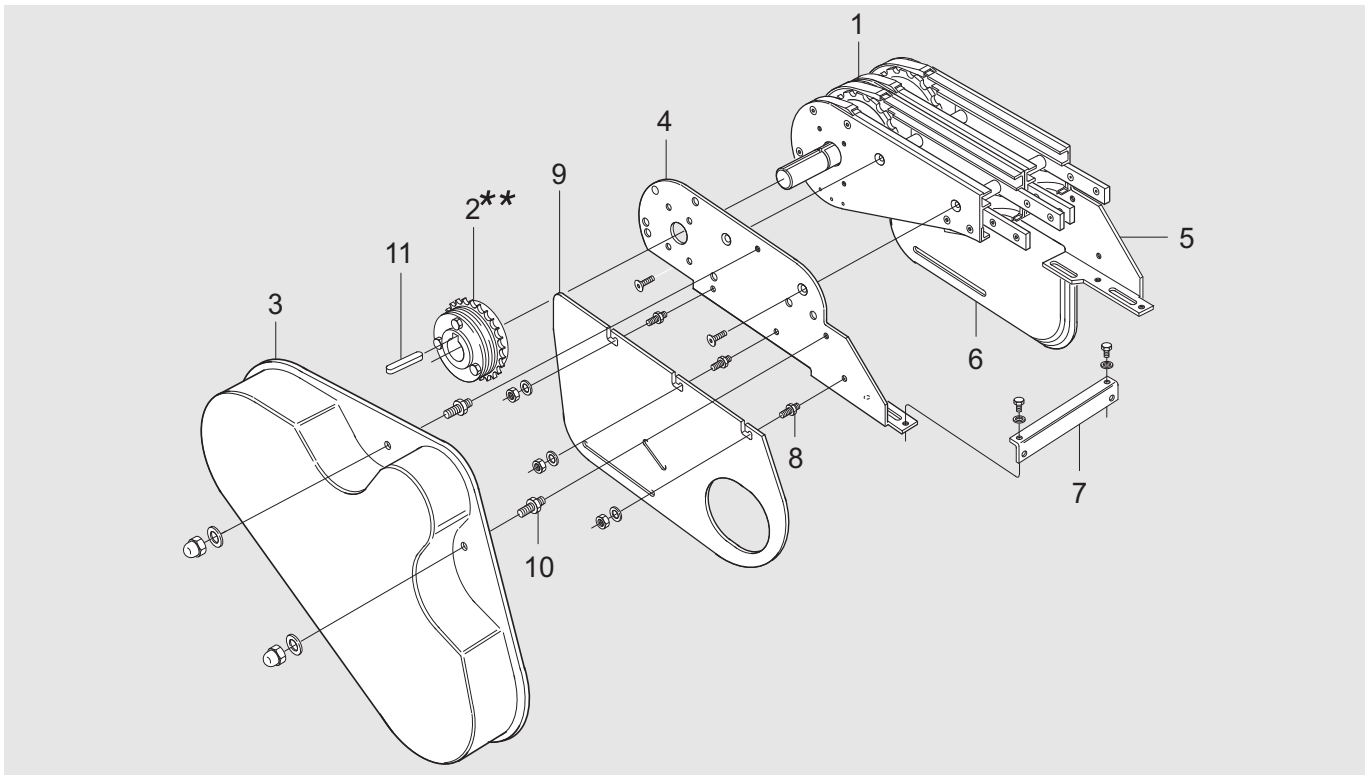
Important

Items 2-4 must be ordered separately when ordering a 0-unit (item 1). The sprocket wheel (item 2) should be specified in accordance with the following table:

Sprocket wheel 1/2"	Part No (SEW)
Z ₁ =19	3924438
Z ₁ =21	3924439
Z ₁ =23	3924440
Z ₁ =25	3921258
Z ₁ =15 ANSI	5044935
Z ₁ =17 ANSI	5044936
Z ₁ =19 ANSI	5044937
Z ₁ =21 ANSI	5044938
Z ₁ =23 ANSI	5044939
Z ₁ =25 ANSI	5044940

Double drive unit (c/c 55 mm)

0-unit – XSEB 0 HLD/HRD/HLAD/HRAD55*

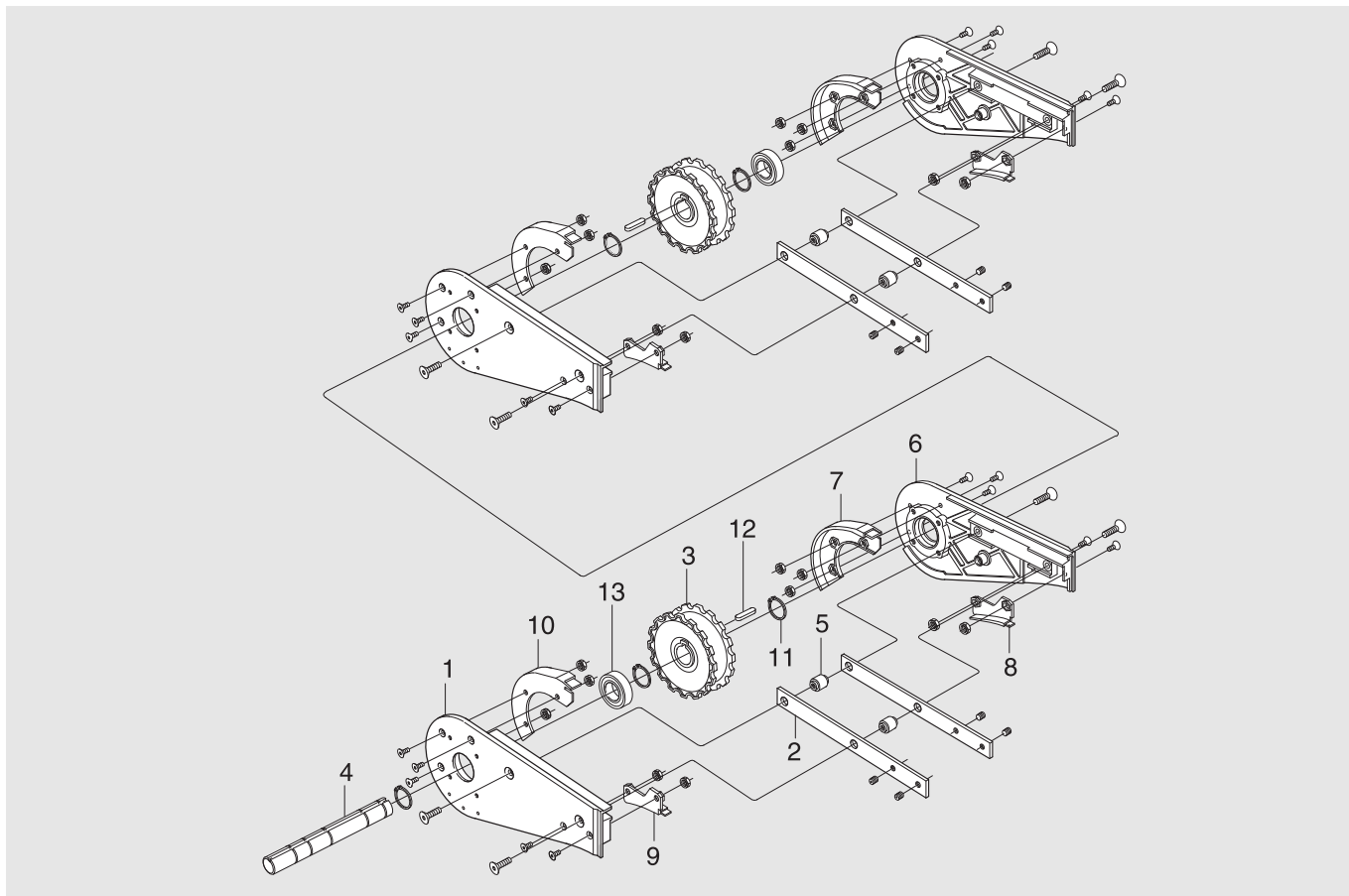


Item	Description	Part No	Qty	Comments	Recommended Spare parts
1	Basic unit	XSEB 0 HLDU55	1	See next page for details	
	Basic unit	XSEB 0 HRDU55	1	See next page for details	
2	Slip clutch Ø25 mm	5053981	1	ISO	
	-Slip clutch, Spare parts kit	5056817	1	ISO, incl. cup spring, ball, chain wheel.	X
	Slip clutch Ø25 mm	5054000	1	ANSI	
	-Slip clutch, Spare parts kit	5056820	1	ANSI, incl. cup spring, ball, chain wheel.	X
3	Transmission cover	3904431	1		
4	Motor bracket R	3921751	1		
5	Motor bracket L	3921752	1		
6*	Slack protection	(3904665)	1	See kit below	
7	Adjusting block	3926230	1		
8*	Distance screw M6	(3904862)	5	See kit below	
9*	Slack protection	(3904666)	2	See kit below	
10*	Distance screw M8	(3904855)	1	See kit below	
11	Adapter plate	3926229	1	c/c 55	
12	Thin parallel key	8×7–63	1	DIN 6885A h9	
*) 6+9	Slack protection kit	5111566	1	LH+RH	
*) 8	Distance screw kit	5111600	1	Kit contains 10 pcs	
*) 10	Distance screw kit	5111599	1	Kit contains 10 pcs	

* c/c 55 mm

Double drive unit

Basic unit – Parts list

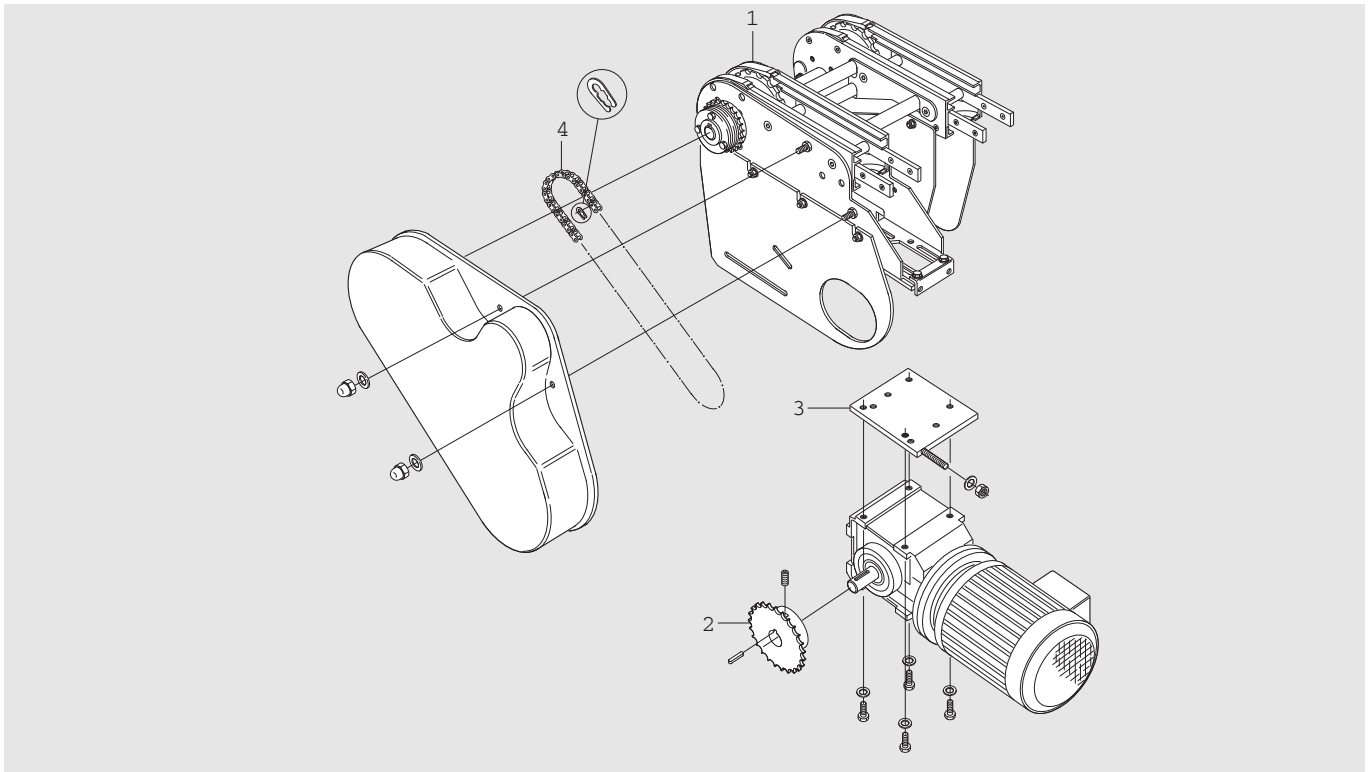


Item	Description	Part No	Qty	Comments	Recommended Spare parts
1*	Side plate L	(3921745)	2	See kit below	
2	Connecting strip	3921738	4		
3	Drive wheel	5111642	2	(3921735)	X
4	Drive shaft	3926227	1	c/c 55	
	Drive shaft	3926319	1	c/c 90–350	
5	Spacer	3921917	4		
6*	Side plate R	(3921744)	2	See kit below	
7*	Steering guide	(3921739)	2	See kit below	
8*	Guide R	(3921736)	2	See kit below	
9*	Guide L	(3921737)	2	See kit below	
10*	Steering guide L	(3920944)	2	See kit below	
11	Retaining ring	SgA 25	5	DIN 471	
12	Thin parallel key	8x7–20	2	DIN 6885A h9	
13	Bearing	6005-2RS1/C3	2		
*) 1+6	Side plate kit	5111639	1		
*) 7+10	Spare parts kit Steering guide	5111640	2		X
*) 8+9	Spare parts kit Guide kit	5111641	2	LH+RH	X

Double drive unit (c/c 90-350 mm)

Complete unit – XSEB_HLD/HRD/HLAD/HRAD-*

For SEW S37 gearmotor

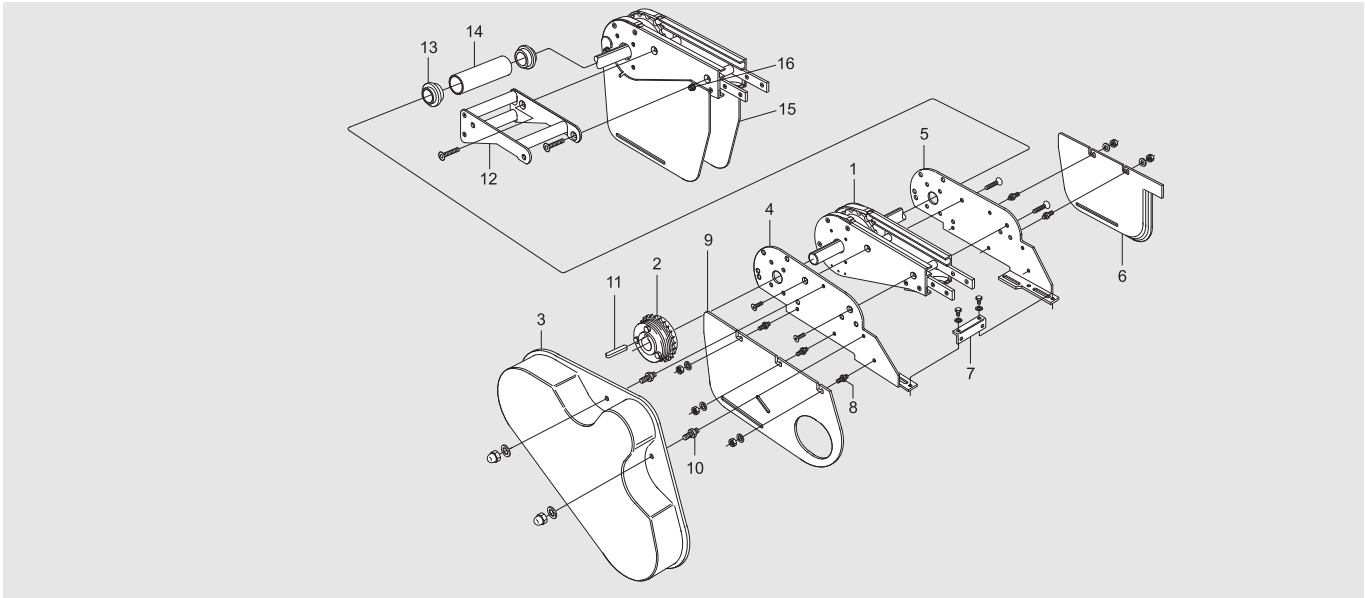


Item	Description	Part No	Qty	Comments	Recommended Spare parts
1	0-unit (left-hand version)	XSEB 0 HLD/HLAD-	1	See next page for details	
	0-unit (right-hand version)	XSEB 0 HRD/HRAD-	1	See next page for details	
2	Sprocket wheel 1/2" including grub screw	See page 2	1		X
3	Adapter plate including bolts and washers	3921763	1	For SEW S37 gearmotor	
	Adapter plate including bolts and washers	3921761	1	Blind adapter plate	
4	Transmission chain 1/2" including connecting link	See page 2	1		X
	Transmission chain 1/2" including connecting link	See page 2	1		X

* The dash (-) indicates a customer specified c/c distance in the range 90 mm to 350 mm.

Double drive unit (c/c 90-350 mm)

0-unit – XSEB 0 HLD/HRD/HLAD/HRAD-**



Item	Description	Part No	Qty	Comments	Recommended Spare parts
1	Basic unit	XSEB 0 HLDU–	1	See page 4 for details	
	Basic unit	XSEB 0 HRDU–	1	See page 4 for details	
2	Slip clutch Ø25 mm	5053981	1	ISO	
	-Slip clutch, Spare parts kit	5056817	1	ISO, incl. cup spring, ball, chain wheel.	X
	Slip clutch Ø25 mm**	5054000	1	ANSI	
	-Slip clutch, Spare parts kit	5056820	1	ANSI, incl. cup spring, ball, chain wheel.	X
3	Transmission cover	3904431	1		
4	Motor bracket	3921751	2		
5	Motor bracket	3921752	2		
6*	Slack protection	(3904665)	3	See kit below	
7	Adjusting block	3926321	1		
8*	Distance screw M6	(3904862)	9	See kit below	
9*	Slack protection	(3904666)	1	See kit below	
10*	Distance screw M8	(3904855)	2	See kit below	
11	Thin parallel key	8x7–25	1	DIN 6885A h9	
12	Fastener yoke	5044620	1		
13	Bushing	5044695	2		
14	Sleeve	5046922	1		
15	Slack protection	3925673	2		
16	Distance screw	3925718	2		
*) 6+9	Slack protection kit	5111566	1	LH+RH	
*) 8	Distance screw kit	5111600	1	Kit contains 10 pcs	
*) 10	Distance screw kit	5111599	1	Kit contains 10 pcs	

** The dash (–) indicates a customer specified c/c distance in the range 90 mm to 350 mm.



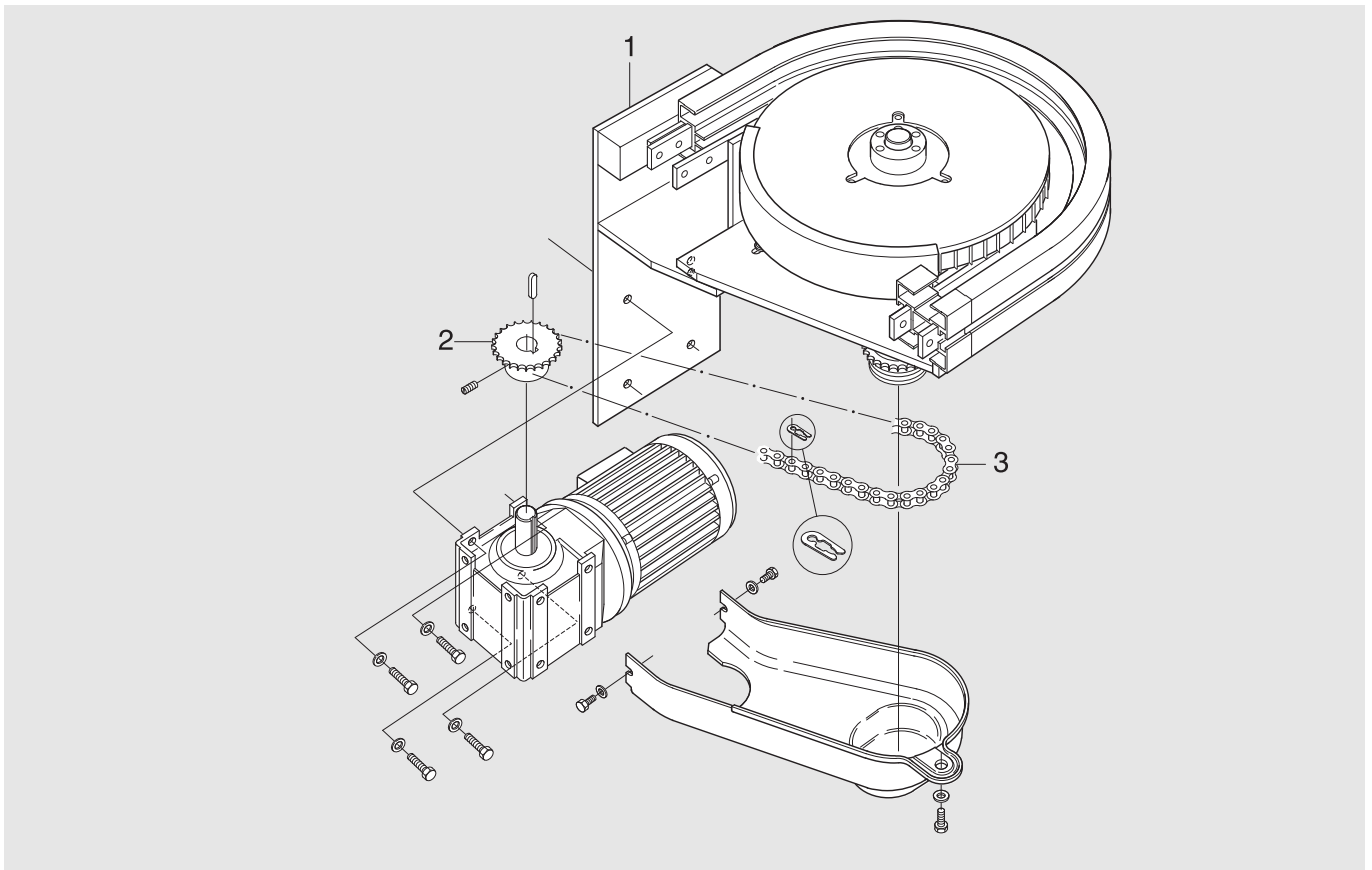
Horizontal bend drive unit XS

Revision list

Document designation	Date	Type of revision	Entered by
XS003-E1	98-10-14	Initial version	BS

Complete unit – XSEW 180/_ H

For SEW S37 gearmotor

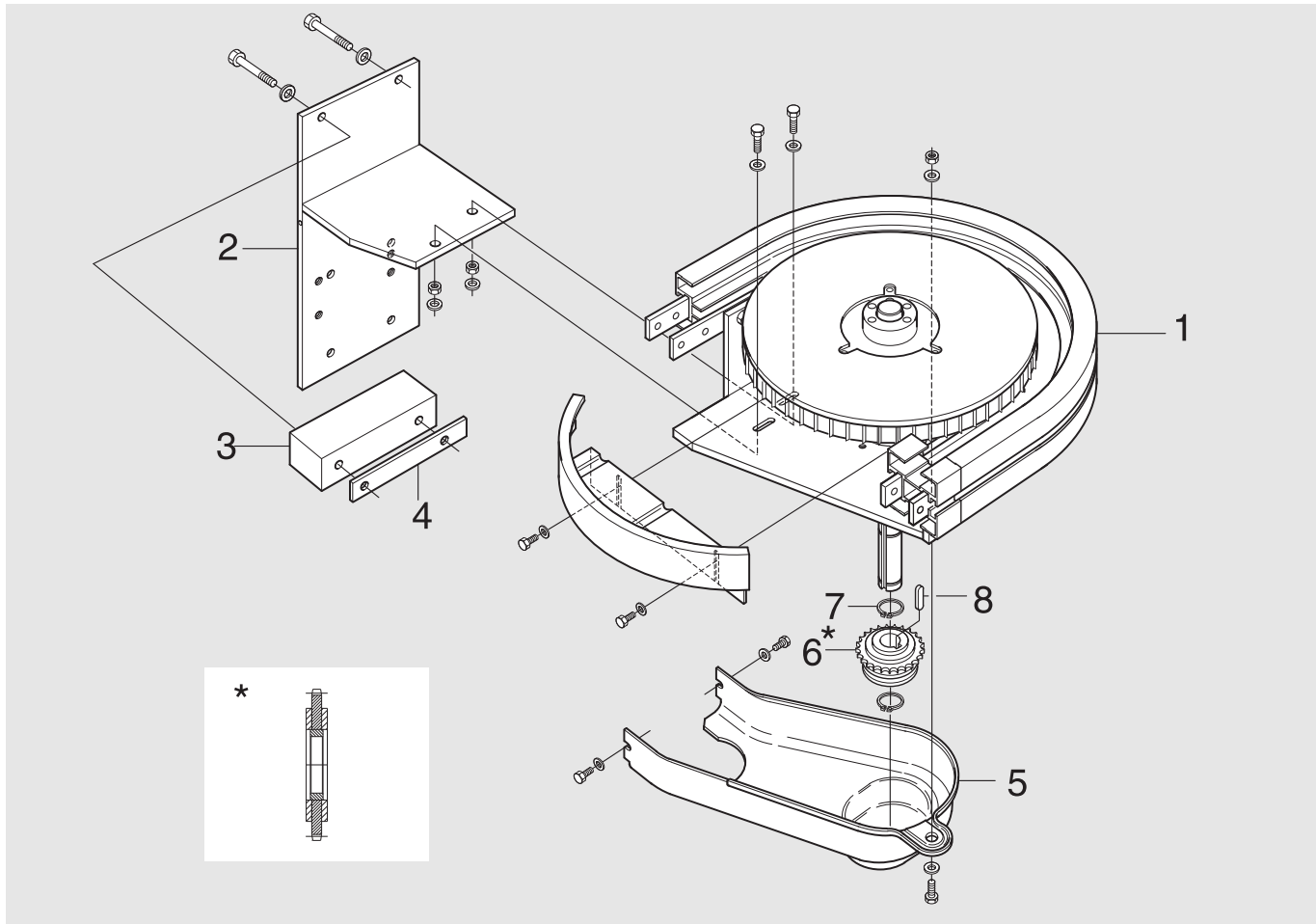


Item	Description	Part No	Qty	Comments	Recommended Spare parts
1	0-unit	XSEW 180/0 H	1	See next page.	
2	Sprocket wheel		1	See table below	X
3	Transmission chain 1/2" including connecting link	3921638	1	ISO/R 606-08B	X

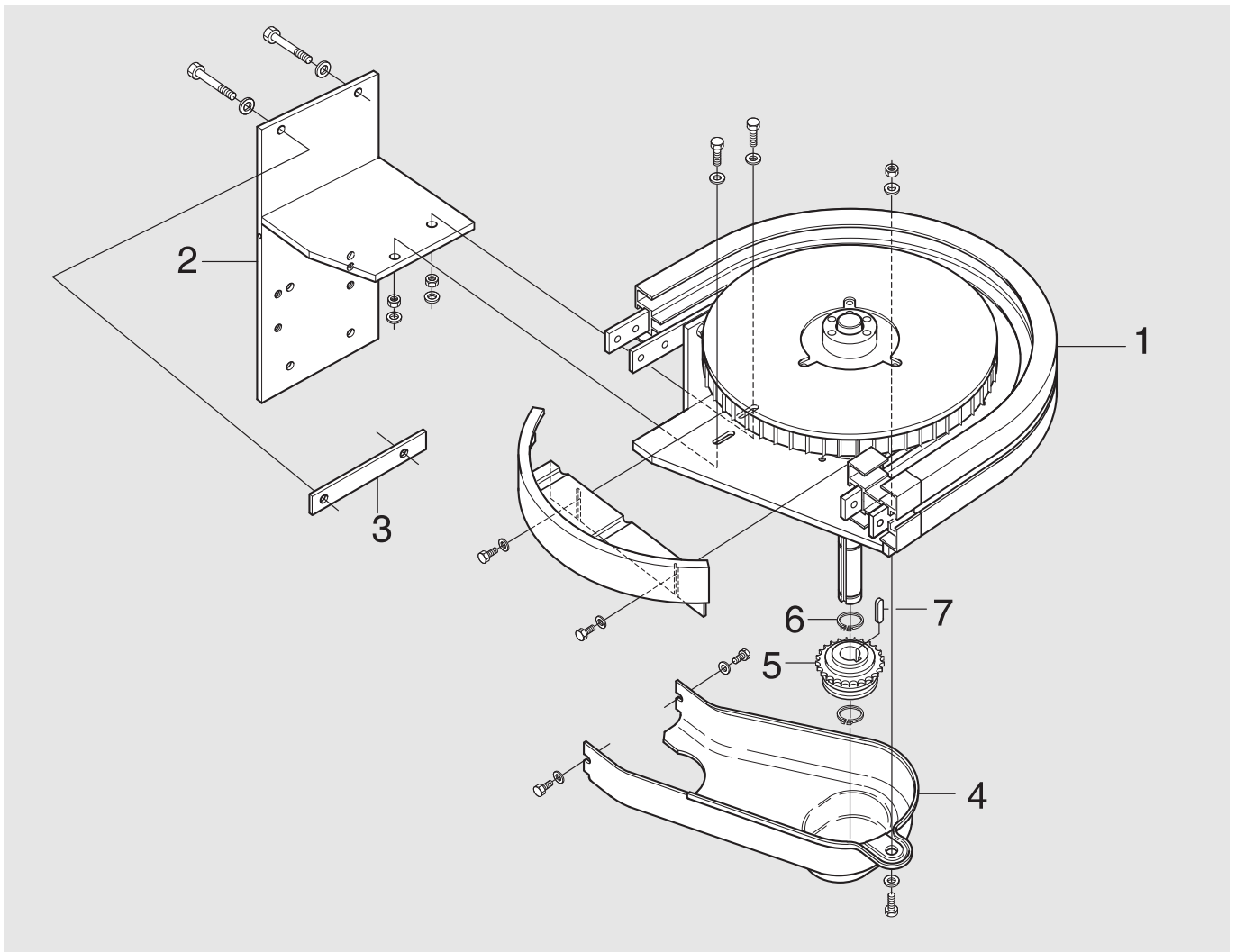
Important

Items 2–3 must be ordered separately when ordering a 0-unit (item 1). The sprocket wheel (item 2) should be specified in accordance with the following table:

Sprocket wheel	Part No (SEW)
Z1=19	3924438
Z1=21	3924439
Z1=23	3924440
Z1=25	3921258

0-unit – XSEW 180/0 H

Item	Description	Part No	Qty	Comments	Recommended Spare parts
1	Basic unit	XSEW 180/0 HU	1	See next page	
2	Bracket	3926586	1		
3	Spacer	3903337	1		
4	Nut bracket	3903339	1		
5	Transmission cover	3926754	1		
6	Slip clutch	5053981	1	(3904324)	X
7	Retaining ring	SgA 25	2		
8	Thin parallel key	8x7-40	1		

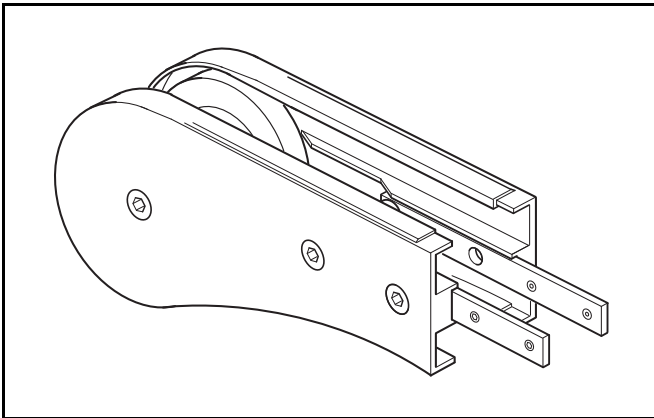
Basic unit - XSEW 180/0 HU

Item	Description	Part no	Qty	Comments	Recommended Spare parts
1	Bracket	3925887	1		
2	Drive wheel	3902210	1		X
3	Outer horizontal bend	XSBE 180R150	1		
4	Protective cover	3926717	1		
5	Shaft	3926450	1		
6	Cover	3927392	1		
7	Transport cover	3926714	2		

This page is intentionally left blank



Idler end unit - XS

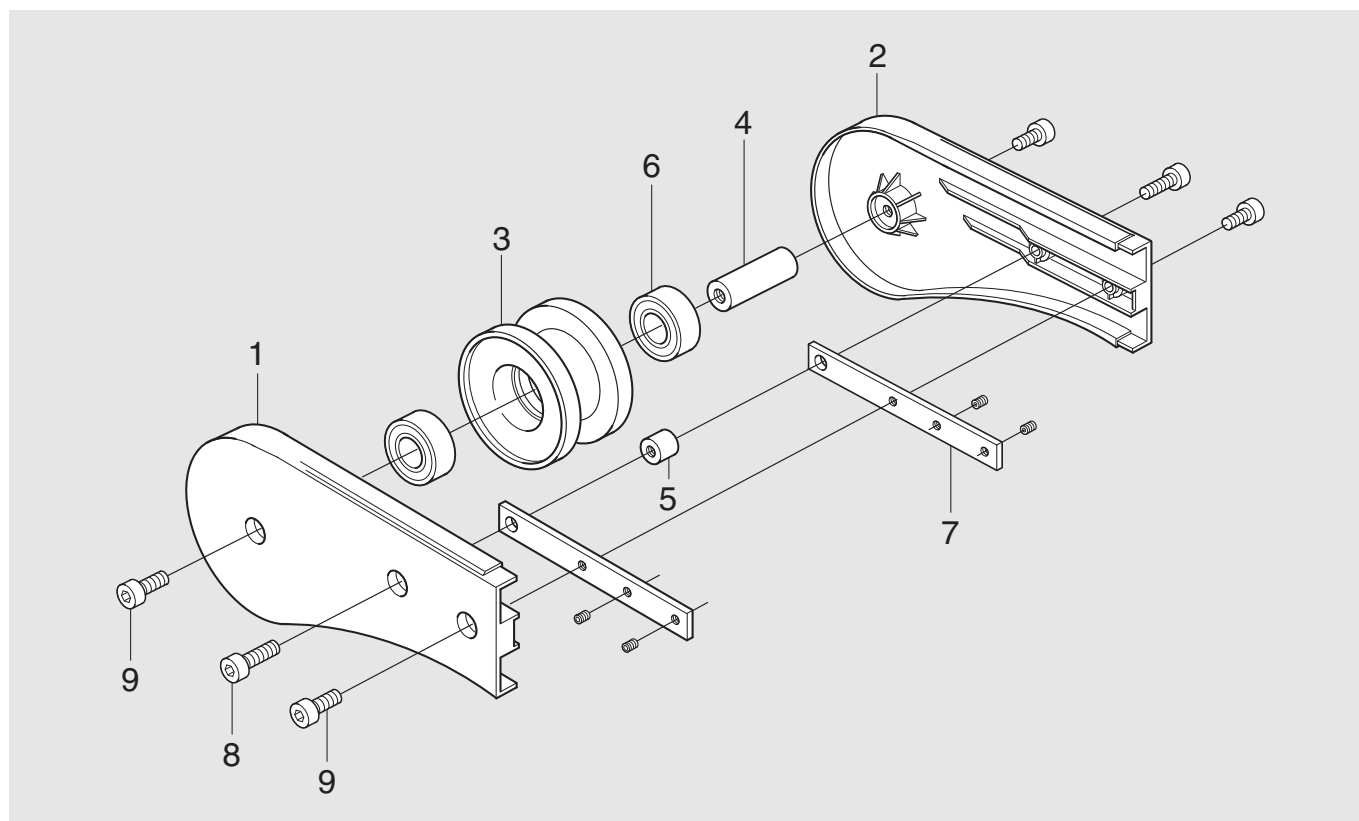


Revision list

Document designation	Date	Type of revision	Entered by
XS004-E1	98-10-14	New version	Enator Inforum
XS004-E2	08-10-31	Spare part kits added	JE
XS004-E3	09-03-19		JE
XS004-E4	10-08-18	Added new column	CB

Idler end unit

XSEJ 200



Item	Description	Part No	Qty	Comments	Recommended Spare parts
1	Side plate R	3902492	1		
2	Side plate L	3902491	1		
3	Idler wheel	5111608	1	(3902496)	X
4*	Shaft	(3902494)	1	See kit below	
5	Spacer	3902493	1		
6*	Bearing	(6202-2Z)	2	See kit below	
7	Connecting strip	3902495	2		
8	Screw	MLC6S 8×16 6H	2		
9	Screw	MLC6S 8×12 6H	4		
*) 3+4+6	Wheel kit	5111637	1		X

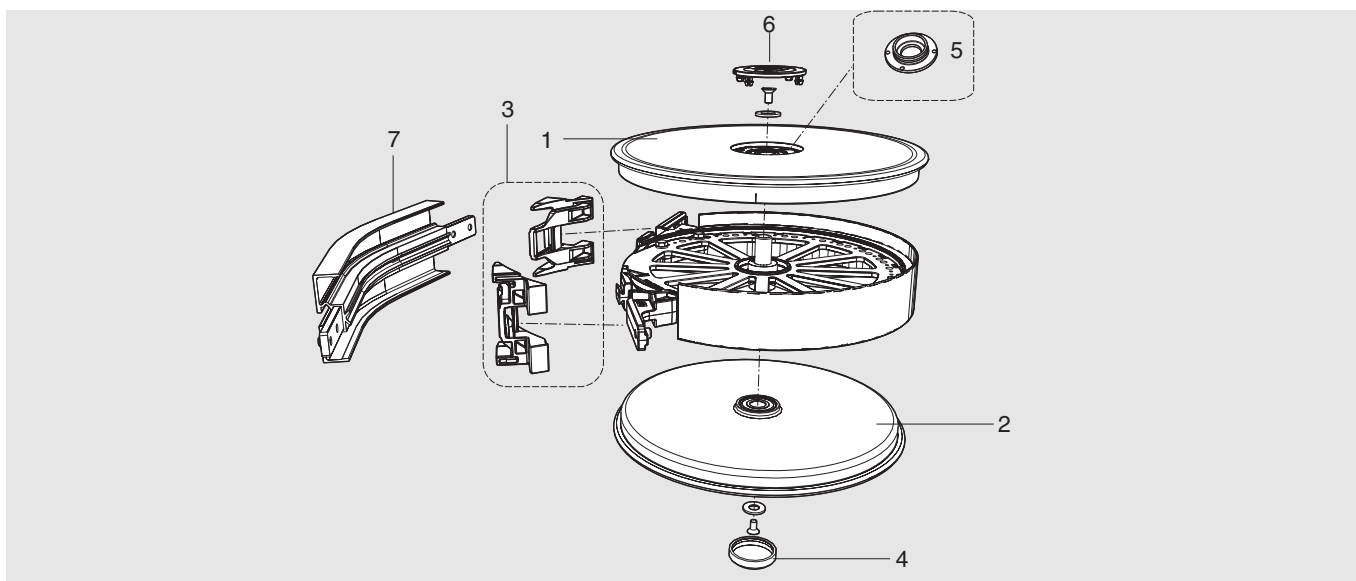


Wheel bends XSBH-, XLBH-, XBBH-, XMBH-, XHBH-, XKBH-, XTBH-

Revision list

Document designation	Date	Type of revision	Entered by
5392EN-1	07-12-05	Initial version	
5392EN-2	08-09-10		JE
5392EN-3	10-05-27		JE
5392EN-4	10-08-31	Added new column	CB

Complete wheel bend



Item	Description	Part no						Recommended Spare parts	
		XS	XL type A	X85	XM type A	XH type A	XK		XT
1	Wheel disc* (upper)	3902168	5059247	5059247	5059247	5059247	3924966	5059247	
2	Wheel disc* (lower)	3902168	5059244	5059244	5059244	5059244	3924966	5059244	
3	Guides**	n.a.	5059235	5110507	5059236	5059237	n.a.	n.a.	X
4	Wheel cover	3901120	3901120	3901120	3901120	3901120	n.a.	3901120	
5	Adapter kit	n.a.	5058559	5058559	5058559	5058559	n.a.	5058559	
6	Wheel cover	5057697	5057697	5057697	5057697	5057697	n.a.	5057697	
7	Outer bend	XSBE 30R150	XLBE 30R150	XBBE 30A85R160	XMBE 30R160	XHBE 30R170	XKBE 30R200		
7	Outer bend	XSBE 45R150	XLBE 45R150	XBBE 45A85R160	XMBE 45R160	XHBE 45R170	XKBE 45R200		
7	Outer bend		XLBE 60R150		XMBE 60R160	XHBE 60R170			
7	Outer bend	XSBE 90R150	XLBE 90R150	XBBE 90A85R160	XMBE 90R160	XHBE 90R170	XKBE 90R200		
7	Outer bend	XSBE 180R150	XLBE 180R150	XBBE 180A85R160	XMBE 180R160	XHBE 180R170	XKBE 180R200		
7	Outer bend			XBBE EA85R160					
*	Including bearings								
**	One pair								

This page is intentionally left blank



Spare parts Slide rails - XS

Slide rails – XS

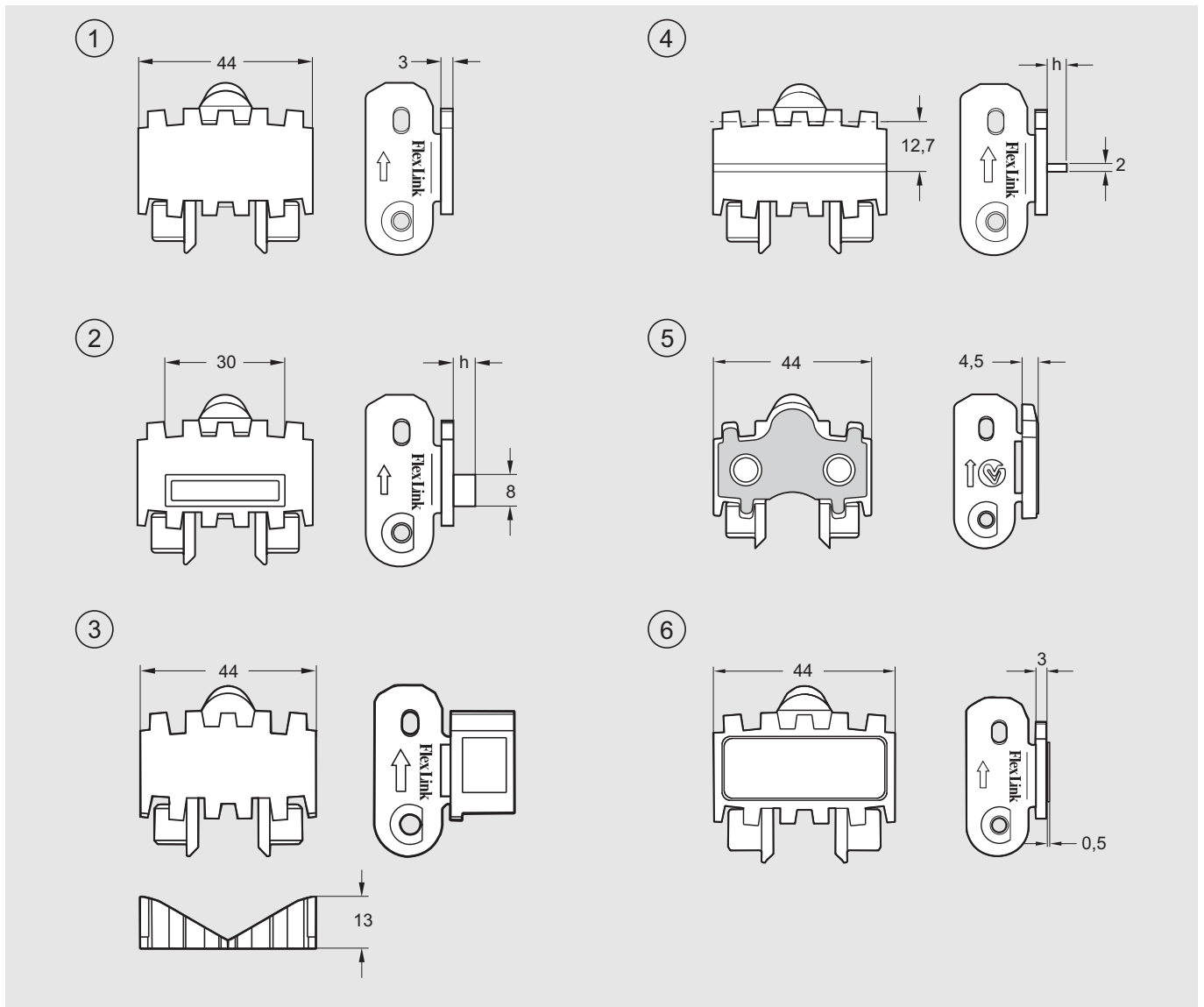


Item	Description	Part No	Qty	Comments	Recommended Spare parts
1	Plastic slide rails				X
	HDPE ($\mu=0,1-0,25$) (Black)	XSCR 25			
	PVDF ($\mu=0,15-0,35$) (Transparent white)	XSCR 25 P			
	UHMW-PE ($\mu=0,1-0,25$) (White)	XSCR 25 U			
	PA-PE ($\mu=0,1-0,25$) (Grey)	XSCR 25 H			

This page is intentionally left blank



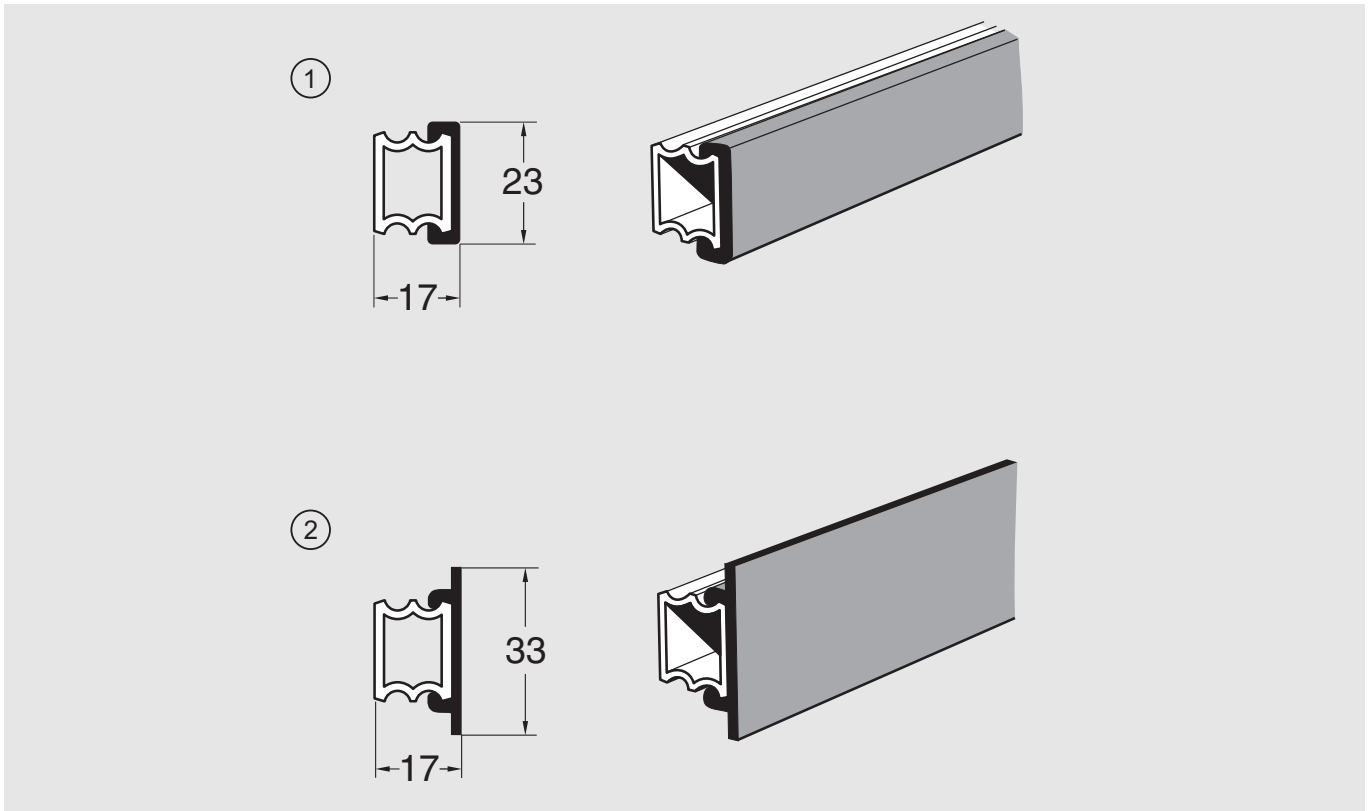
Spare parts Chains - XS



Item	Description	Part No	Qty	Comments	Recommended Spare parts (Based on previous chain in the Conveyor system)
1	Plain chain	XSTP 5			X
	Plain link kit	5056061		Link kit contains 10 links, 10 pivots, 10 steel pins	
	Plain chain, (Ultra low wear)	XSTP 5 C			
	Plain link kit, (Ultra low wear)	n.a.			
2	Cleated chain, Type D			Enter cleat frequency (1–20) instead of # in product designation	X
	h=3 mm	XSTF 5x3 D#			
	h=5,5 mm	XSTF 5x5,5 D#			
	h=9 mm	XSTF 5x9 D#			
	h=27 mm	XSTF 5x27 D#			
	Cleated link kit				
	h=3 mm	5056052		Link kit contains 10 links, 10 pivots, 10 steel pins	
	h=5,5 mm	5056049		Link kit contains 10 links, 10 pivots, 10 steel pins	
	h=9 mm	5056045		Link kit contains 10 links, 10 pivots, 10 steel pins	
	h=27 mm	5056053		Link kit contains 10 links, 10 pivots, 10 steel pins	
3	Cleated chain (flat top cleats)	3903721			X
	Cleated link kit	5056626		Link kit contains 10 links, 10 pivots, 10 steel pins	
4	Cleated chain, Type G			Enter cleat frequency (1–20) instead of # in product designation	X
	h=3 mm	XSTF 5x3 G#			
	h=5 mm	XSTF 5x5 G#			
	h=9 mm	XSTF 5x9 G#			
	Cleated link kits				
	h=3 mm	5056051		Link kit contains 10 links, 10 pivots, 10 steel pins	
	h=5 mm	5056050		Link kit contains 10 links, 10 pivots, 10 steel pins	
	h=9 mm	5056043		Link kit contains 10 links, 10 pivots, 10 steel pins	
5	Steel top chain	XSTP 5 TF			X
	Steel top link kit	5056634		Link kit contains 10 links, 10 pivots, 10 steel pins	
6	Friction top chain	XSTP 5 F			X
	Friction top link kit	5056060		Link kit contains 1 links, 1 pivots, 1 steel pins	



Spare parts Guide rail cover - XS



Item	Description	Part No	Qty	Comments	Recommended Spare parts
1	Guide rail cover for 15 mm aluminium guide rail				X
	Polyethylene, length 3 m	XLRT 3x23			
	UHMW-PE, length 3 m	XLRT 3x23 U			
2	Guide rail cover, flanged, for 15 mm aluminium guide rail				X
	Polyethylene, length 3 m, flanged	XLRT 3x33 D			

This page is intentionally left blank

Product designations in alphanumeric order

Part no	Page	Part no	Page	Part no	Page	Part no	Page
(3902494)	20	3920088	5	3926374/3927191	8	5056817	14
(3902496)	20	3920751	8	3926375	8	5056817	3
(3904324)	16	3921258	10	3926389	8	5056817	8
(3904665)	11	3921258	15	3926390	8	5056820	11
(3904665)	14	3921258	2	3926450	17	5056820	14
(3904665)	3	3921638	10	3926586	16	5056820	3
(3904666)	11	3921638	15	3926714	17	5056820	8
(3904666)	14	3921638	2	3926717	17	5057697	21
(3904666)	3	3921652	6	3926754	16	5058559	21
(3904855)	11	3921738	12	3927392	17	5059235	21
(3904855)	14	3921738	4	5044620	14	5059236	21
(3904855)	3	3921741	4	5044695	14	5059237	21
(3904862)	11	3921751	11	5044935	10	5059244	21
(3904862)	14	3921751	14	5044935	2	5059244	21
(3904862)	3	3921751	3	5044936	10	5059244	21
(3904862)	8	3921752	11	5044936	2	5059244	21
(3904862)	8	3921752	14	5044937	10	5059244	21
(3920944)	12	3921752	3	5044937	2	5059247	21
(3921735)	12	3921753	3	5044938	10	5059247	21
(3921735)	4	3921753	8	5044938	2	5059247	21
(3921736)	12	3921761	10	5044939	10	5059247	21
(3921736)	4	3921761	13	5044939	2	5059247	21
(3921737)	12	3921761	2	5044940	10	5110507	21
(3921737)	4	3921761	7	5044940	2	5111566	11
(3921739)	12	3921763	10	5044948	10	5111566	14
(3921739)	4	3921763	13	5044948	2	5111566	3
(3921740)	4	3921763	2	5046922	14	5111581	6
(3921744)	12	3921763	7	5053981	11	5111598	6
(3921744)	4	3921917	12	5053981	14	5111599	11
(3921745)	12	3921917	4	5053981	16	5111599	14
(3921745)	4	3924438	10	5053981	3	5111599	3
(3925673)	6	3924438	15	5053981	8	5111599	8
(3925718)	6	3924438	2	5054000	11	5111600	11
(6202-2Z)	20	3924439	10	5054000	14	5111600	14
3901120	21	3924439	15	5054000	3	5111600	3
3902168	21	3924439	2	5054000	8	5111600	8
3902210	17	3924440	10	5054003	6	5111608	20
3902491	20	3924440	15	5056043	28	5111637	20
3902492	20	3924440	2	5056045	28	5111639	12
3902493	20	3924966	21	5056049	28	5111639	4
3902495	20	3924966	21	5056050	28	5111640	12
3903337	16	3925673	14	5056051	28	5111640	4
3903339	16	3925718	14	5056052	28	5111641	12
3903721	28	3925887	17	5056053	28	5111641	4
3904431	11	3926227	12	5056060	28	5111642	12
3904431	14	3926229	11	5056061	28	5111642	4
3904431	3	3926230	11	5056626	28	XBBE	
3920084	6	3926319	12	5056634	28	180A85R160	21
		3926321	14	5056817	11	XBBE 30A85R160	21

Part no	Page	Part no	Page
XBBE 45A85R160	21	XSEB 0	10
XBBE 90A85R160	21	HRD55/HRAD55	14
XBBE EA85R160	21	XSEB 0 HRDU–	11
XHBE 180R170	21	XSEB 0 HRDU55	5
XHBE 30R170	21	HRP/HRAP	3
XHBE 45R170	21	XSEB 0 HRU	6
XHBE 60R170	21	XSEB 0 HRU	8
XHBE 90R170	21	XSEH 0 HL/HLA	7
XKBE 180R200	21	XSEH 0 HR/HRA	15
XKBE 30R200	21	XSEW 180/0 H	16
XKBE 45R200	21	XSEW 180/0 HU	28
XKBE 90R200	21	XSTF 5x27 D#	28
XLBE 180R150	21	XSTF 5x3 D#	28
XLBE 30R150	21	XSTF 5x3 G#	28
XLBE 45R150	21	XSTF 5x5 G#	28
XLBE 60R150	21	XSTF 5x5,5 D#	28
XLBE 90R150	21	XSTF 5x9 D#	28
XLRT 3x23 U	29	XSTF 5x9 G#	28
XLRT 3x33 D	29	XSTP 5	28
XMBE 180R160	21	XSTP 5 C	28
XMBE 30R160	21	XSTP 5 F	28
XMBE 45R160	21	XSTP 5 TF	28
XMBE 60R160	21		
XMBE 90R160	21		
XSBE 180R150	17		
XSBE 180R150	21		
XSBE 30R150	21		
XSBE 45R150	21		
XSBE 90R150	21		
XSCR 25	23		
XSCR 25 H	23		
XSCR 25 P	23		
XSCR 25 U	23		
XSEB 0 HL/HLA	2		
XSEB 0	13		
HLD/HLAD–			
XSEB 0	10		
HLD55/HLAD55			
XSEB 0 HLDU–	14		
XSEB 0 HLDU55	11		
XSEB 0	5		
HLP/HLAP			
XSEB 0 HLU	3		
XSEB 0 HLU	6		
XSEB 0 HLU	8		
XSEB 0 HR/HRA	2		
XSEB 0	13		
HRD/HRAD–			



For the latest technical documents visit www.flexlink.com to download product catalogues, manuals and instructions. Register for a MyFlexLink account and get 24/7 access to CAD drawings, engineering tools and order online.

www.flexlink.com

Australia

FlexLink Systems Pty Ltd
Mount Waverley VIC
☎ +61-3-9542 4400
info.au@flexlink.com

Belgium

FlexLink Systems N.V.
Leuven
☎ +32-(0)16-40 82 66
info.be@flexlink.com

Brazil

FlexLink Systems Ltda
Barueri SP
☎ +55 11 4196-3400
info.br@flexlink.com

Canada

FlexLink Systems Canada, Inc.
Burlington, ON
☎ +1-888-748-8677
info.ca@flexlink.com

China

FlexLink Automation
Shanghai
☎ +86-(0)21-641 183 06
info.cn@flexlink.com

Czech Republic

FlexLink Systems
Praha
☎ +420-721 858 123
info.cz@flexlink.com

Finland

FlexLink Systems
Helsinki
☎ +358-9-788 832
info.fi@flexlink.com

France

FlexLink Systems SAS
Elancourt cedex
☎ + 33-(0)1 30 68 53 50
info.fr@flexlink.com

Germany

FlexLink Systems GmbH
Offenbach
☎ +49-69-83832 0
info.de@flexlink.com

Hungary

FlexLink Systems Kft.
Budapest
☎ +36-1-3994 295
info.hu@flexlink.com

India

FlexLink Systems India Pvt. Ltd.
Gurgaon
☎ +91-124 427 8844
info.in@flexlink.com

Indonesia

PT FlexLink Systems
Jakarta
☎ +62 21 3904335
info.id@flexlink.com

Italy

FlexLink Systems S.p.A.
Cascine Vica
☎ +39-011-9518 411
info.it@flexlink.com

Japan

FlexLink Systems K.K.
Tokyo
☎ +81-(0)3-3297 0761
info.jp@flexlink.com

Malaysia

FlexLink Automation Sdn Bhd
Shah Alam
☎ +603-7859 1889
info.my@flexlink.com

The Netherlands

FlexLink Systems B.V.
Hoofddorp
☎ +31-(0)23-554 31 00
info.nl@flexlink.com

Poland

FlexLink Systems Polska Sp. z o.o.
Sady
☎ +48-61-654 7650
info.pl@flexlink.com

Russia

FlexLink Systems LLC
St. Petersburg
☎ +7-(812)-448-32-31
info.ru@flexlink.com

Singapore

FlexLink Systems Pte Ltd
Singapore
☎ +65-6890 6735
info.sg@flexlink.com

Spain

FlexLink Systems España, S.L.
Barcelona
☎ +34-93-680 41 00
info.es@flexlink.com

Sweden

FlexLink Systems AB
Göteborg
☎ +46-(0)31-337 31 00
info.se@flexlink.com

Thailand

FlexLink Systems Pte Ltd
Bangkok
☎ +66-2-694 1717
info.th@flexlink.com

United Kingdom

FlexLink Systems Ltd
Milton Keynes
☎ +44-(0)1908-327 200
info.uk@flexlink.com

USA

Main office
FlexLink Systems, Inc.
Allentown, PA
☎ +1 (610) 973-8200
info.us@flexlink.com

South
FlexLink Systems, Inc.
Greenville, SC
☎ +1 (864) 335-0550

West

FlexLink Systems, Inc.
Plano, TX
☎ +1 (972) 312-9504

Your business partner: